



New

These industrial grade electric strikes are used with rim exit devices



fire rated



UL 1034
burglary listed



grade 1

These heavy duty electric strikes offer amazing versatility. Both the 310-4 and 310-4S come with a standard 3/4" thick faceplate, suitable for metal frames. For aluminum frames, an integrated shim quickly unscrews to create a 1/2" faceplate.

Applications

310-4

For up to 3/4" pullman style latchbolts-used on a single door opening or at the top of a surface vertical-rod exit Note: When using an electric strike in conjunction with a vertical-rod exit device, it is necessary that: 1. The bottom rod of the exit device be removed or made inoperative

- PK Keeper Standard

310-4S

For squarebolt style latchbolts like the Corbin Russwin® ED4200S, ED5200S and ED5200SA SecureBolt™ or the Yale® 7150(F), 7250, 7270M(F) Squarebolt® Exit Devices

- SK Keeper Standard

Specifications

- UL 10C, 3 hour fire-rated (fail secure only)
- CAN4-S104 (ULC-S104) fire door conformant
- UL1034, burglary-resistant listed

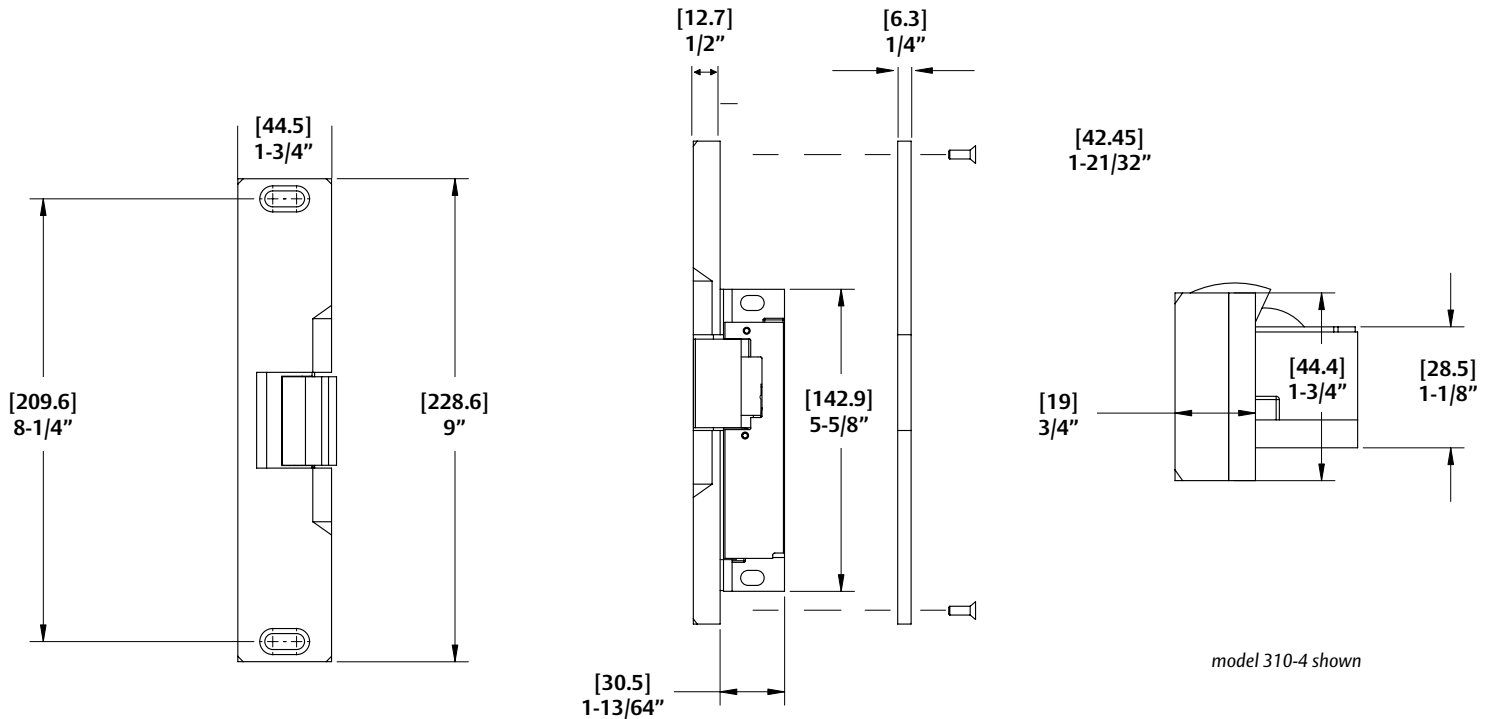
- ANSI/BHMA A156.31, Grade 1
- NFPA-252 fire door conformant
- ASTM-E152 fire door conformant





Folger Adam®

hes
ASSA ABLOY



Electrical

- .51 Amps @ 12VDC continuous duty
- .25 Amps @ 24VDC continuous duty

Standard Features

- Tamper resistant, heavy-duty construction
- Constructed entirely of stainless steel for strength and corrosion resistance
- Static strength 1,500 lbs.
- Dynamic strength 70 ft-lbs.
- Endurance rating 500,000 cycles
- Integrated shim for quick customization of faceplate thickness (3/4" to 1/2")
- Milled ramps to better accommodate deadlatches
- Set screws for horizontal lockdown
- In-frame horizontal adjustability
- Wider faceplate (1-3/4") for greater versatility
 - Non-handed
- Fail Secure (standard)
- Plug-in connector
- Five year limited warranty

Optional Features

- Fail Safe
- LCBMA - Latchbolt & Locking Cam Monitor with Auxiliary Switch

Accessories

- SMB - Surface mounting box
- 2001 - Plug-in bridge rectifier
- 2001-1 - Wire-in bridge rectifier
- 2004 - ElectroLynx® adapter
- 2005 - SMART Pac II™
- 2006P - Plug-in buzzer

Finishes

- 630 - Satin stainless steel finish
- 605 - Bright brass finish
- 606 - Satin brass finish
- 612 - Satin bronze finish
- 613 - Bronze toned finish
- 629 - Bright stainless steel finish