

## Cylinder-Operated Flushbolt

For Aluminum Stile Doors

### 1870 Series

MAY BE INSTALLED TO  
LOCK AT THRESHOLD  
OR AT HEADER.

#### ▼ Cylinder Backset

31/32" or 1-1/8" only.

#### ▼ Cylinder Height

Standard length (cylinder center to retracted bolt tip) is 12" with  $\pm 1.25$ " adjustment. Other lengths available on special order.

#### ▼ Function

Designed for use instead of conventional flip-lever operated flushbolts, the 1870 gives building management key control of the inactive leaf of paired doors. Prevents casual locking of the inactive leaf by children or other unauthorized persons. Uses same basic overcenter action mechanism as MS® pivoted bolt locks. Recommended for installation at both top and bottom of inactive door with MS1850S in active door for greatest security.

#### ▼ Case

Steel with corrosion-resistant plating. 1" x 6" x depth. (Depth varies by backset. See table on back page.)

#### ▼ Bolt

Hexagonal 3/8" flat to flat, with 11/16" throw. Made of stainless steel.

#### ▼ Strike

1/2" diameter hole in metal threshold or header is suitable. For wood installations, 4005 strike is available.

#### ▼ Operation

360° turn of key throws or retracts hex-section bolt. Key can be removed only when bolt is in a positively locked or unlocked position. Accepts any standard 1-5/32" mortise cylinder from either or both sides. Cylinder must have MS® cam. (See page SW-33.)

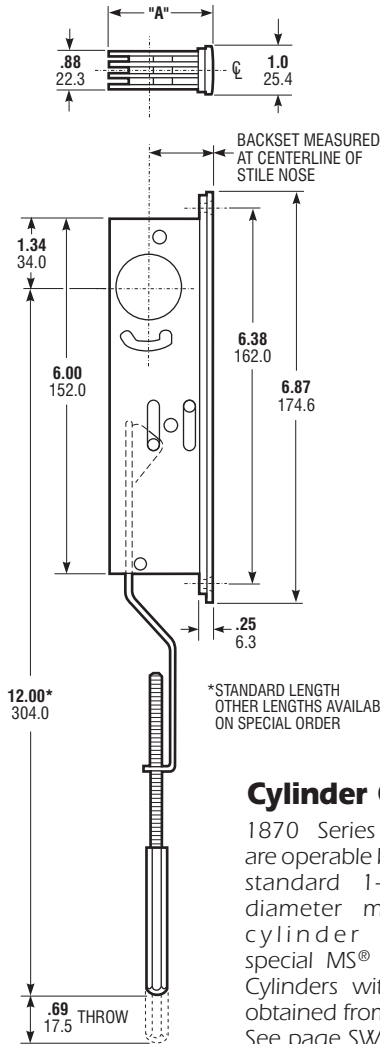


# 1870 Series Flushbolt

## DIMENSIONS

**INCHES**  
MILLIMETERS

Nominal, subject to tolerance extremes.



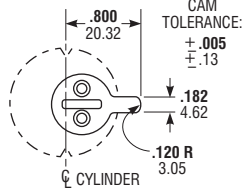
BACKSET	"A"
<b>31/32"</b> 24.6	<b>1.63</b> 41.4
<b>1-1/8"</b> 28.6	<b>1.78</b> 45.2

ARMORED FACEPLATE 1" x 6-7/8"	
FLAT	1870
RADIUS	1871
RADIUS w/WEATHERSTRIP 1871W	
LH BEVEL	1872-05
RH BEVEL	1872-06

\*STANDARD LENGTH  
OTHER LENGTHS AVAILABLE  
ON SPECIAL ORDER

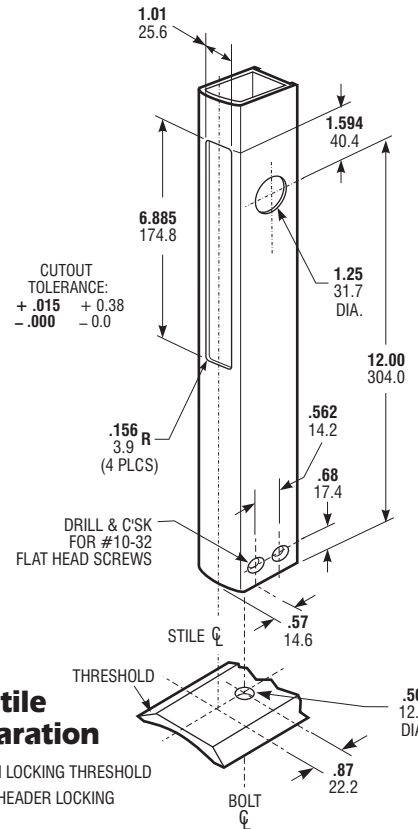
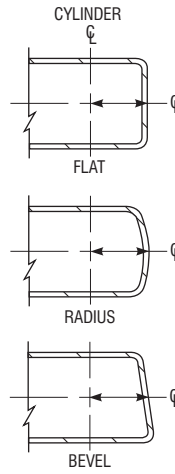
### Cylinder Cam

1870 Series locks are operable by any standard 1-5/32" diameter mortise cylinder with special MS® cam dimensioned as shown. Cylinders with MS® cams can be readily obtained from most cylinder manufacturers. See page SW-33 for cylinder make and trim ring information.



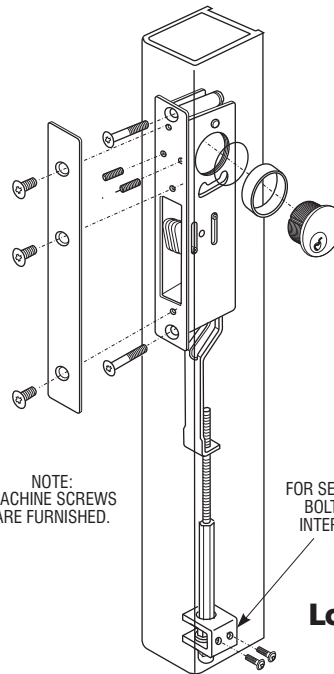
## INSTALLATION

HOW BACKSET IS MEASURED:



### Stile Preparation

FOR INSTALLATION LOCKING THRESHOLD  
INVERT FOR HEADER LOCKING



### Lock & Cylinder Installation

## HOW TO ORDER

Specify quantity and the following information.  
Order related hardware separately.

Faceplate Shape		Backset	Handing
<b>1870</b>	Flat	<b>2</b> 31/32"	<b>5</b> LH or RHR
<b>1871</b>	Radius	<b>3</b> 1-1/8"	<b>6</b> RH or LHR
<b>1872</b>	Bevel		<b>0</b> Non-Handed*
<b>1871W</b>	Radius w/strip		

# 1871-20-628

Finish	
<b>628</b>	Clear Anodized
<b>313</b>	Dark Bronze Anod.
<b>335</b>	Black Anodized

## STANDARD PACKAGE

Basic lock mechanism boxed with actuator arm attached, rod/bolt assembly unattached. Stainless steel bolt guide, mounting screws and installation instructions included. Cylinders available at extra cost. Shipping weight: 1-1/4 lbs.

\*Any flat or radius face.