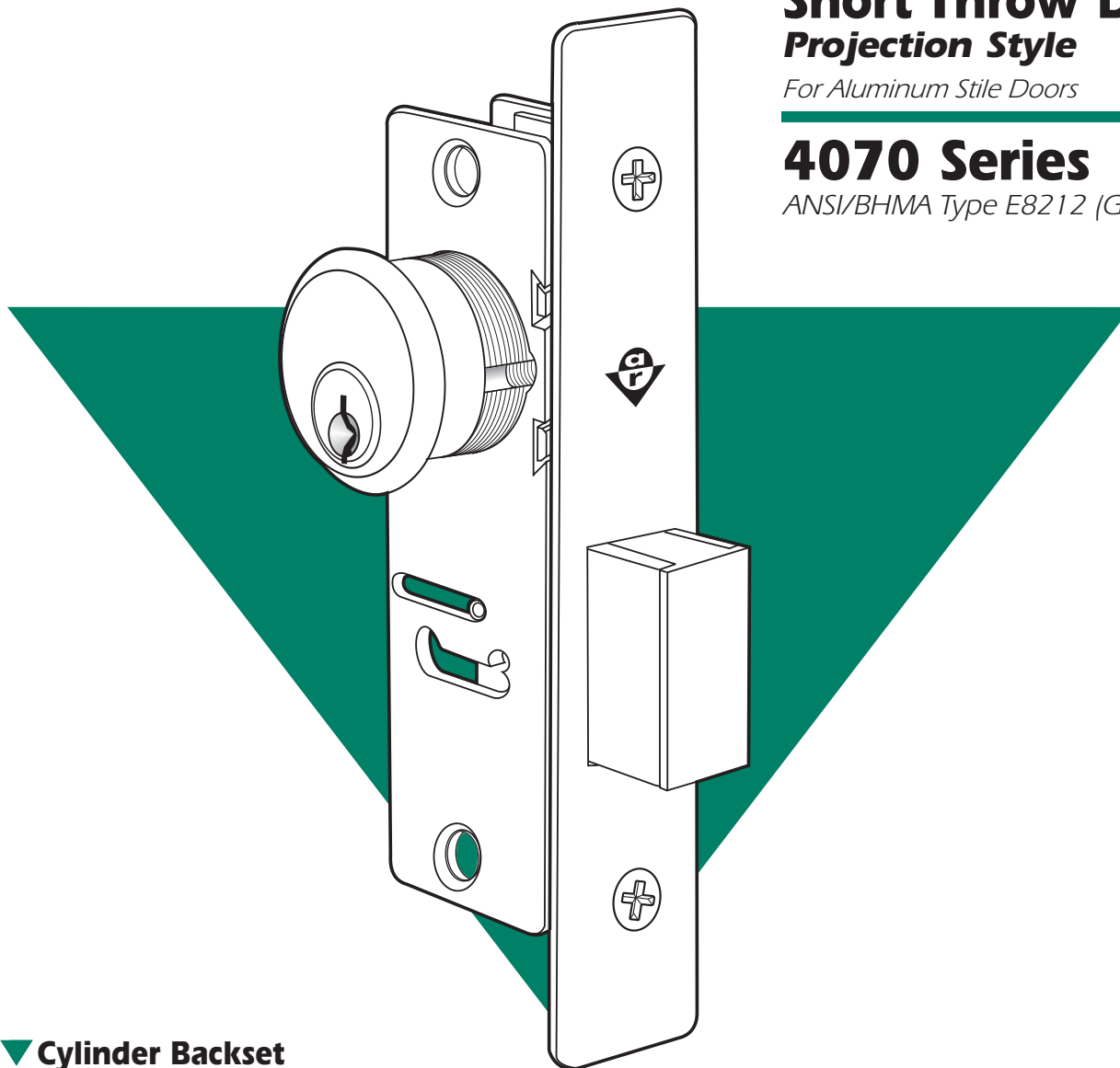


Short Throw Deadbolt Projection Style

For Aluminum Stile Doors

4070 Series

ANSI/BHMA Type E8212 (Grade 2)



▼ Cylinder Backset

7/8", 31/32" or 1-1/8" only.

▼ Case

Steel with corrosion-resistant plating. 1" x 6" x depth. (Depth varies by backset. See table on back page.)

▼ Function

For installations where the long-throw MS® Deadlock cannot be accommodated, the smaller 4070 offers the longest practical throw for a conventionally projected bolt from a narrow stile. Operates with one-half key turn of any standard mortise type cylinder or cylinder type thumbturn. **NOT TO BE USED IN BOTTOM RAIL.**

▼ Bolt

5/8" x 1-1/4" x 5/8" throw.

▼ Strike

In metal installations, a slot in jamb serves as strike. Deluxe trim strike 4170 is also available for wood installations.

▼ Operation

180° turn of key or thumbturn projects or retracts the bolt. Accepts any standard 1-5/32" mortise cylinder from either or both sides. **Cylinder must have special cam to fit.** (See catalog page SW-33.)



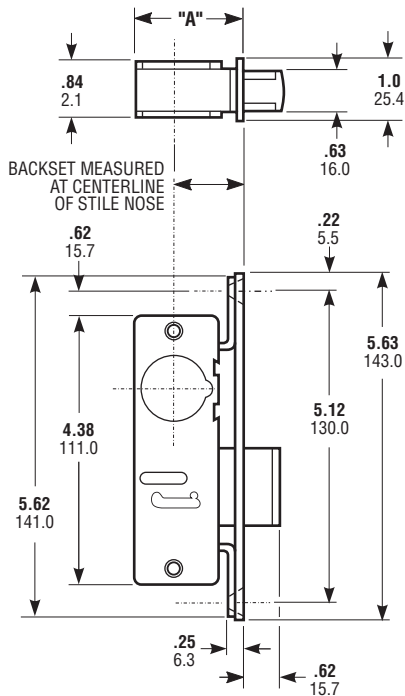
4070 Short Throw Deadbolt

Projection Style

DIMENSIONS

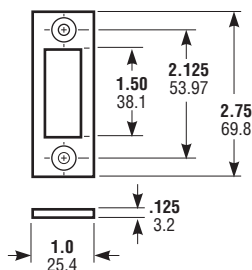
INCHES
MILLIMETERS

Nominal, subject to tolerance extremes.

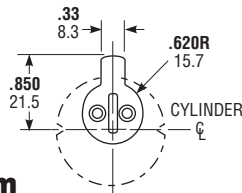


BACKSET	"A"
7/8" 22.2	1.57 39.9
31/32" 24.6	1.63 41.4
1-1/8" 28.6	1.78 45.2

4170 Trim Strike



ARMORED FACEPLATE 1" x 5-5/8"	
FLAT	4070
RADIUS	4071
LH BEVEL	4072-05
RH BEVEL	4072-06



Cylinder Cam

4070 Series locks are operable by any standard 1-5/32" diameter mortise cylinder with cam dimensioned as shown. See page SW-33 for cylinder make and trim ring information

HOW TO ORDER

Specify quantity and the following information.
Order related hardware separately.

Faceplate Shape	
0	Flat
1	Radius
2	Bevel

Backset	
1	7/8"
2	31/32"
3	1-1/8"

Handing	
5	LH or RHR
6	RH or LHR
0	Non-Handed*

4072 - 26 - 628

Finish

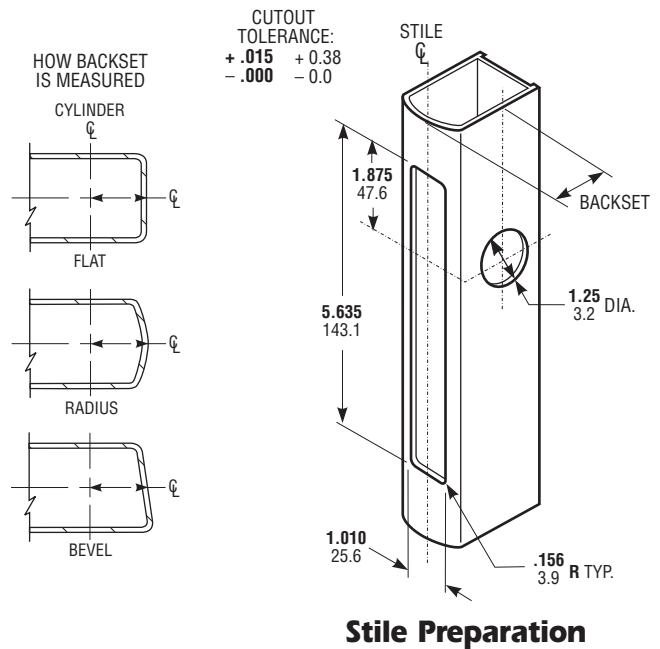
628	Clear Anodized
313	Dark Bronze Anodized
335	Black Anodized

Faceplates available in US28 (628) Clear Anodized.
Specify 4170 Trim Strike if required.

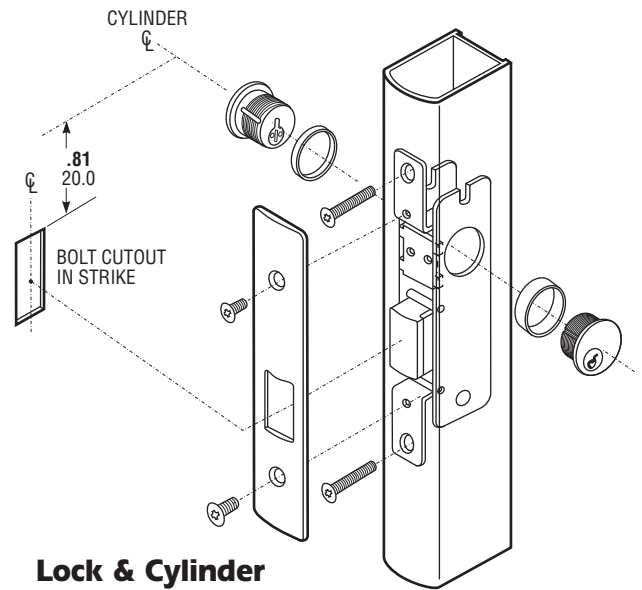
*Any flat or radius face.

©2008 ADAMS RITE MANUFACTURING CO.

INSTALLATION



Stile Preparation



Lock & Cylinder Installation

STANDARD PACKAGE

Individually boxed with machine screws for mounting. Cylinders and/or thumbturn available at extra cost. Shipping weight: 1/2lb.