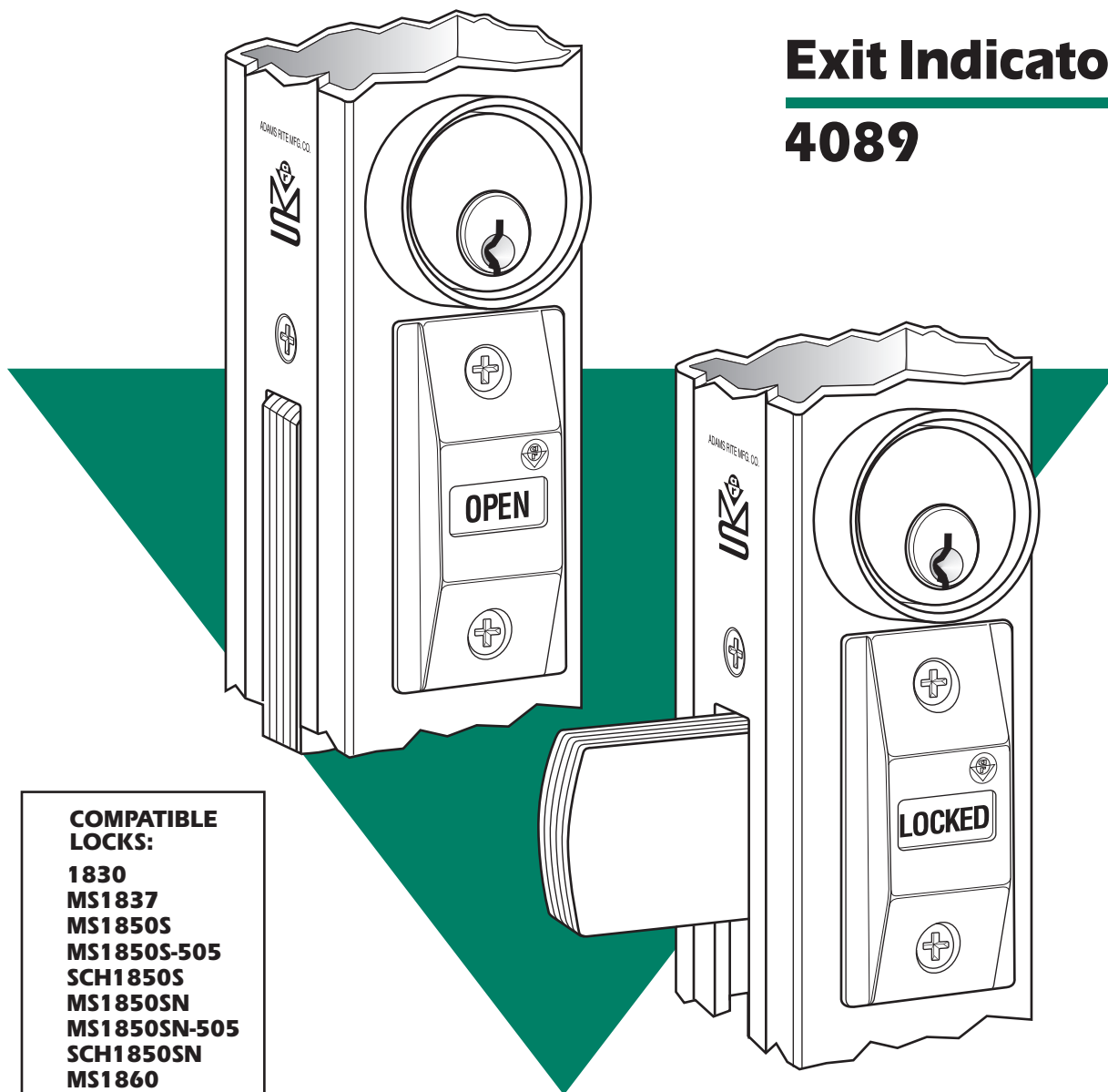


Exit Indicator

4089



COMPATIBLE LOCKS:

1830
MS1837
MS1850S
MS1850S-505
SCH1850S
MS1850SN
MS1850SN-505
SCH1850SN
MS1860
1870
MS+1890

▼ Function

Provides unmistakable notification of an exit door's "locked" or "open" condition. Under many local building safety codes, this allows the use, in certain occupancies, of a security deadlock instead of less secure panic devices. It includes two permanent adhesive header signs: "THIS DOOR TO REMAIN UNLOCKED DURING BUSINESS HOURS." (That wording is according to Uniform Building Code.) The second sign for NFPA and other local codes reads: "THIS DOOR TO REMAIN UNLOCKED WHEN THE BUILDING IS OCCUPIED."

▼ Message Panel

"OPEN" appears in black letters on white background when lock is retracted and "LOCKED" in red letters when actuated. Also available with red (locked) and green (unlocked) wordless panels.

▼ Material/Finish

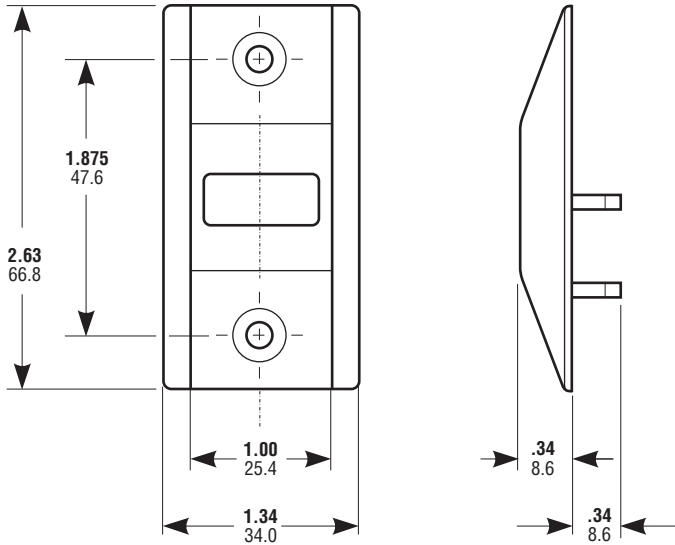
Indicator escutcheon is zinc alloy with 130 (Satin Aluminum) Ritecoat finish. See page SW-35 for other Ritecoat finishes. Header sign is clear aluminum match with black letters.



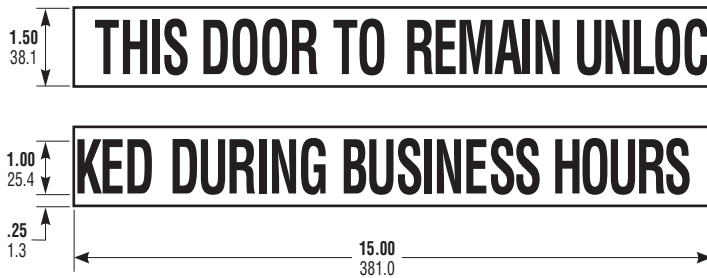
4089 Exit Indicator

DIMENSIONS

INCHES
MILLIMETERS
Nominal, subject to tolerance extremes.



HEADER SIGN - IN TWO PIECES*



* This sign correct under Uniform Building Code.
Also includes NFPA wording "THIS DOOR TO REMAIN UNLOCKED WHEN THE BUILDING IS OCCUPIED".

HOW TO ORDER

Specify quantity and the following information.

Options

- 00 Standard - 1-3/4" Door
- 01 For Inverted Lock
- 20 For doors up to 2-1/2"

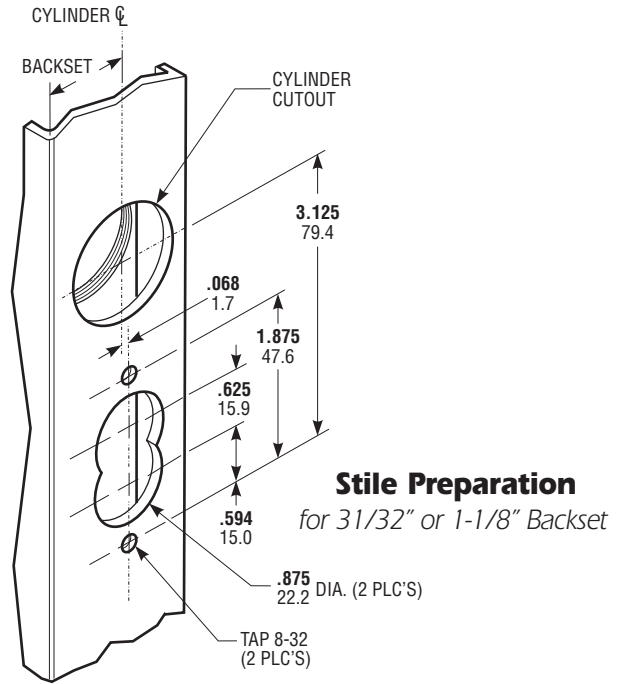
(Standard unit fits 1-3/4" doors)

Finish

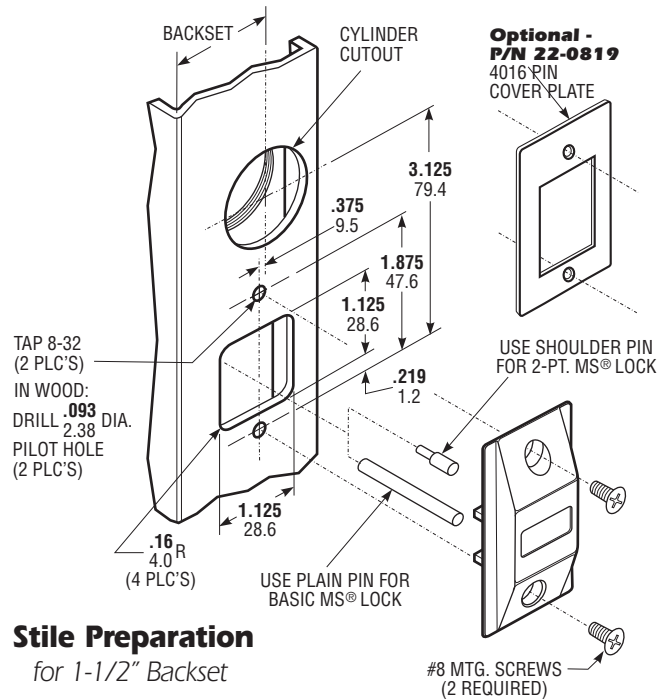
- 130 Satin Aluminum
- 119 Satin Black
- 121 Dark Bronze

4089-01-130

INSTALLATION



Stile Preparation
for 31/32" or 1-1/8" Backset



Stile Preparation
for 1-1/2" Backset

OPTIONS

Standard unit fits 1-3/4" doors. Specify for thicker doors up to 2-1/2".

STANDARD PACKAGE

Shipping weight: 1/2 lb.