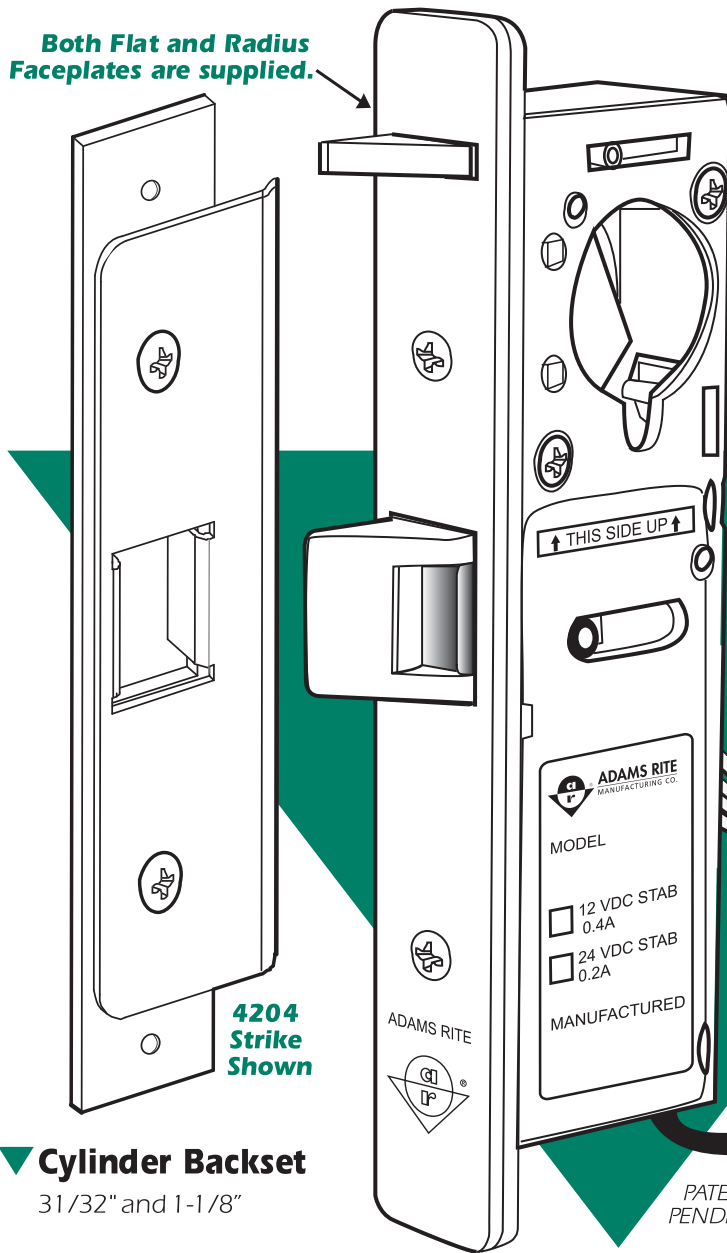


Both Flat and Radius Faceplates are supplied.

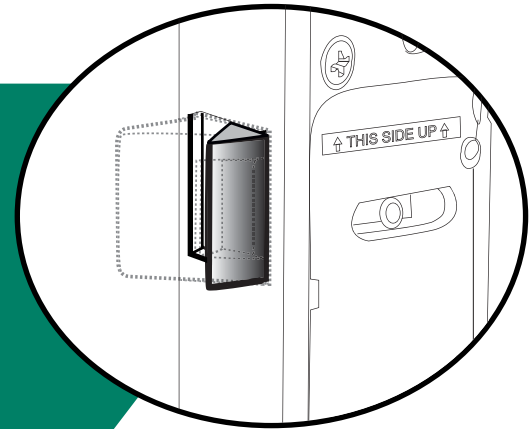


Electrified Deadlatch

For Aluminum Stile Doors

4200 Series eLatch

ANSI/BHMA Type E8231 (Grade 1)



Unique Pivoting Bolt that collapses

Latch Bolt

5/8" x 1" x 5/8" throw. Chrome plated brass.

Auxiliary Bolt

All metal. Deadlocks latch bolt to prevent "loiding" or case-knife entry.

Faceplates

1" x 6-7/8". Both flat and radius faceplates are supplied. Flat faceplates can also be adjusted in the field for right or left beveled edge doors.

Strikes

Pick from two optional strikes. 4203 no-cut surface mounted strike for ease of installation. Specify 4204 mortised strike for flush mounted installations or when replacing existing 4501/4502/4901/4902 strikes (requires additional preparation). 4204 also available: radius strike for pairs of doors and long lip strikes for thick door and center hung applications.

Operation

Turn key, apply voltage, or operate handle or paddle to release the spring-loaded latch bolt. Electrically rated for continuous duty for timed applications. Interface with access control. Uses any standard mortise cylinder with MS cam (see page SW-33).

Cylinder Backset

31/32" and 1-1/8"

Case

Steel with corrosion-resistant plating. 15/16" x 5-13/16" x depth. (Depth varies by backset. See table on back page.)

Function

The 4200 eLatch combines mechanical locking hardware with electrified access control while working within standard aluminum entrance door preparations. Always operable from the inside via handle or paddle device. Entry via keyed mortise cylinder or access control element. Fail-secure lock with form "C" latch status monitor standard. Rated for continuous operation in either 12 VDC or 24 VDC versions. 1-3/4" minimum door thickness required.

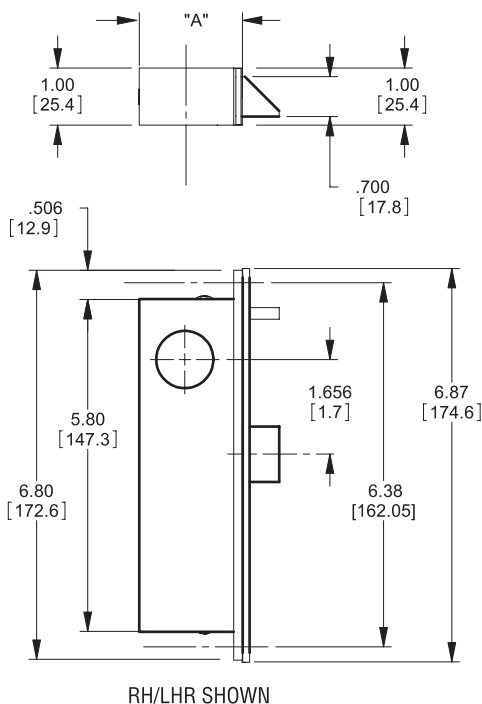


4200 eLatch

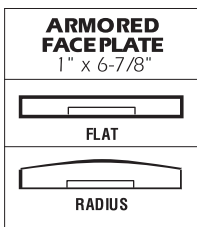
DIMENSIONS

INCHES
MILLIMETERS

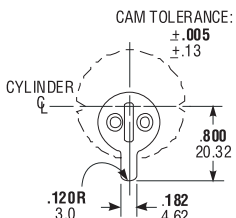
Nominal, subject to tolerance extremes.



BACKSET	"A"
31/32" 24.6	1.60 40.6
1-1/8" 28.6	1.76 44.7



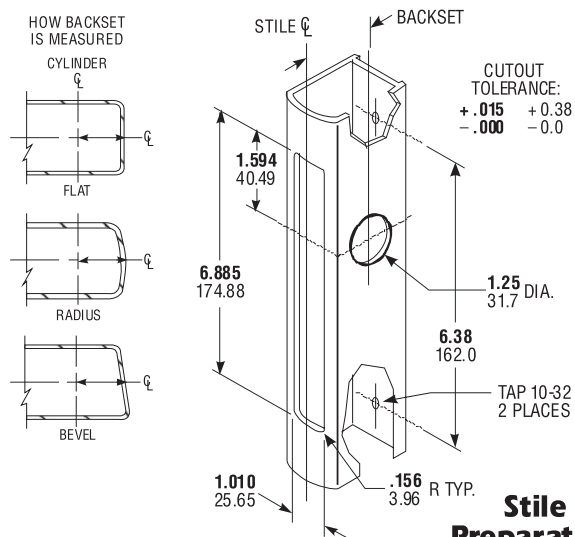
FLAT FACEPLATE CAN BE ADJUSTED FOR RIGHT OR LEFT BEVELED EDGE DOORS



Cylinder Cam

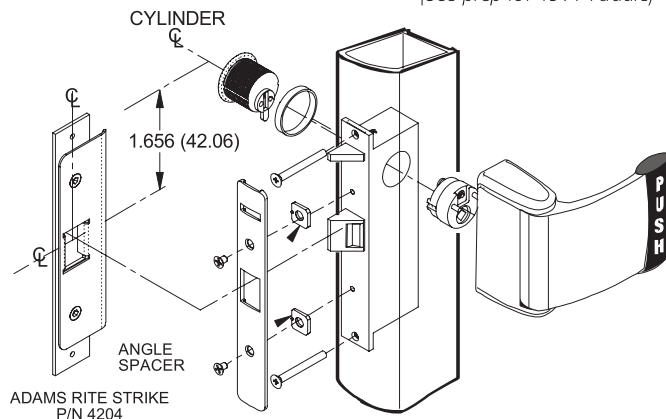
4200 Series Deadlatches are operable by any standard 1-5/32" diameter mortise cylinder with special MS® cam dimensioned as shown. Cylinders with MS® cams can be readily obtained from most cylinder manufacturers. See page SW-33 for cylinder make and trim.

INSTALLATION



Stile Preparation

Identical to MS1850A or MS1850S Series
(See prep for 4591 Paddle)



Latch, Paddle & Cylinder Installation

HOW TO ORDER

Specify quantity and the following information.
Order related hardware separately.

Backset	Handing*	Voltage
2 31-32"	5 LH or RHR	12 12 VDC
3 1-1/8"	6 RH or LHR	24 24 VDC

4200-35-201-628-12

Strike	Strike Shape/Lip Length	Faceplate Finish
1 Surface Mt. (4 203)	01 Flat/Standard Jamb	628 Clear Anodized
2 Mortised (4 204)	02 Radius/Standard Stiles**	313 Dark Bronze Anod.
	17 Flat/Centerhung 4.0" Jamb**	335 Black Anodized
	21 Flat/Centerhung 4.5" Jamb**	
	XX Other Lip lengths*	

*Handing cannot be reversed in field.

**Options only available on 4204

©2008 ADAMS RITE MANUFACTURING CO.

OPTIONS

Backset, Strike and Finish must be specified when ordering. For handles, see page SW-28 & 29. For Paddles, see page SW-30 and SW-31.

91-0965 Universal Mounting Tab Kit. (Flat/Radius Stiles)

91-0966 Universal Mounting Tab Kit. (Beveled Stiles)

4612 Power Transfer

For power sources order: 4605 Transformer/4603 Rectifier or PS-1

STANDARD PACKAGE

Individually boxed with Flat and Radius Faceplates, Strike and machine screws for mounting. Order cylinders, paddle, handle or latch pull separately. Shipping weight: 1-1/4 lbs.