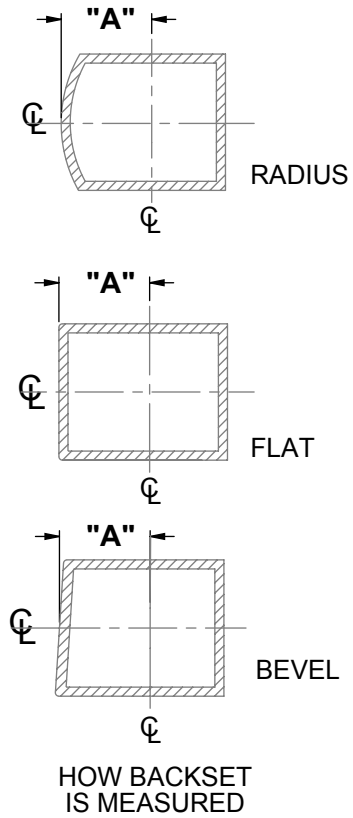
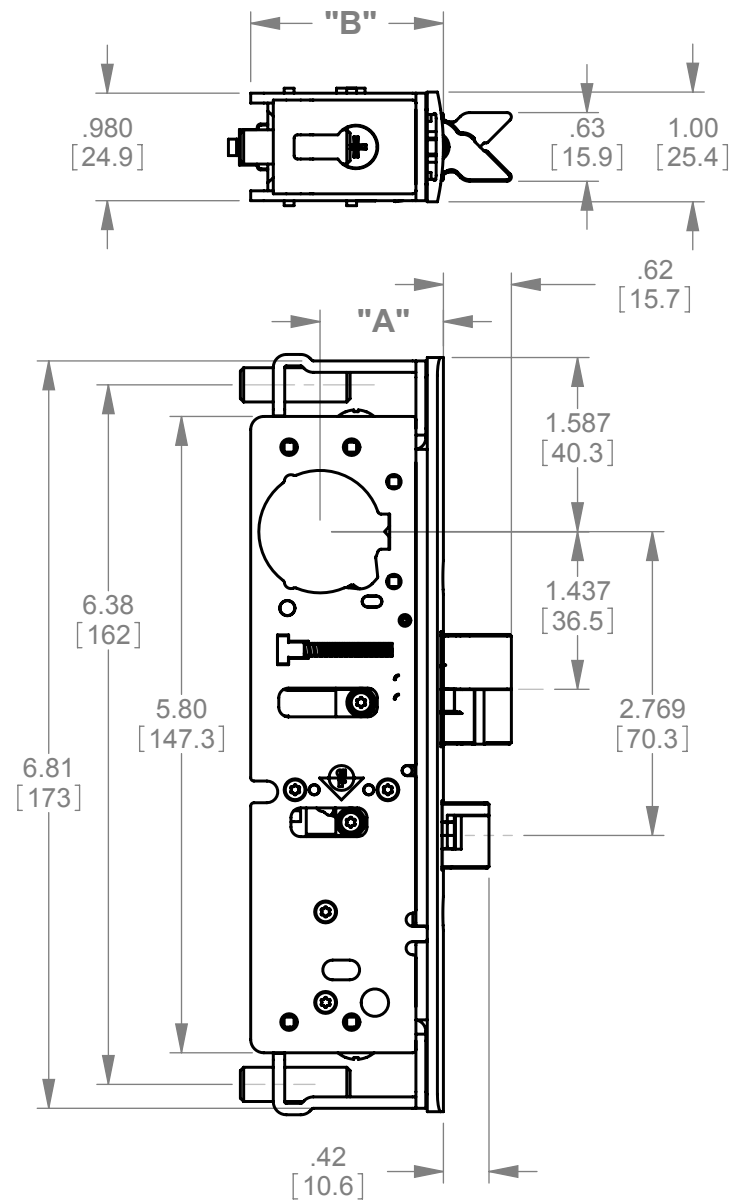
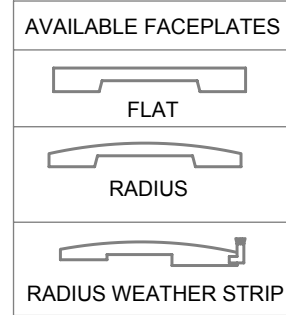


**DIMENSIONS**

Inches  
(Millimeters)

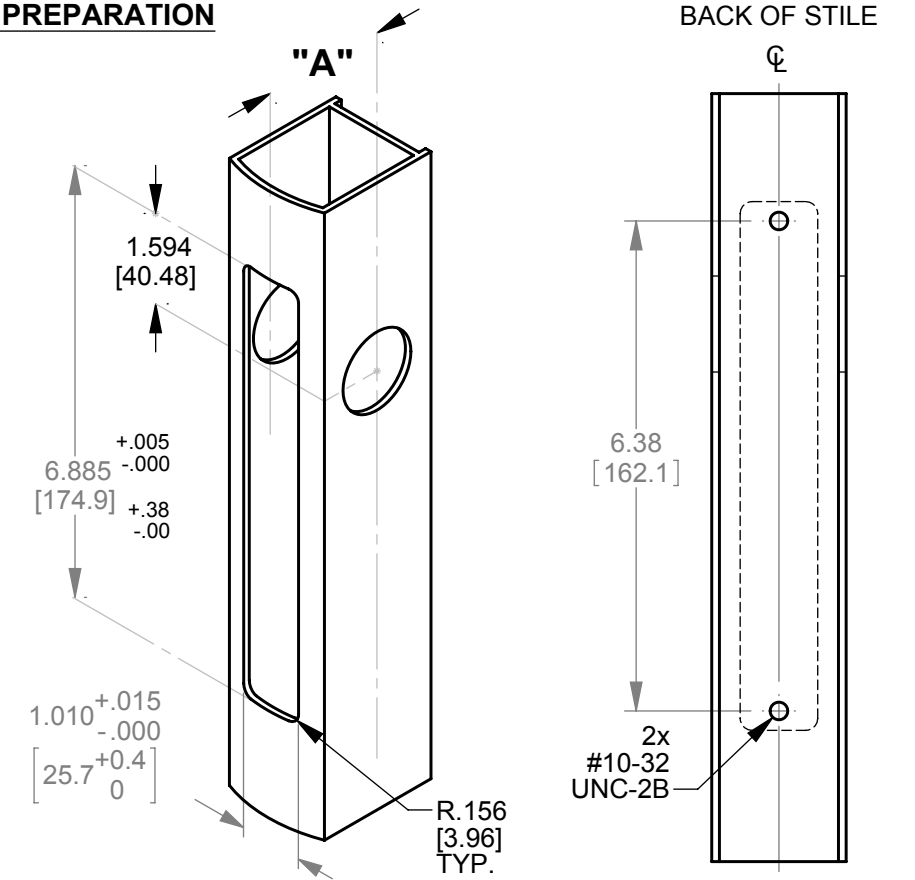


BACKSET "A"	DIM."B"
31/32" (24.6)	1.60 40.6
1-1/8" (28.6)	1.76 44.6
1-1/2" (38.1)	1.75 44.5



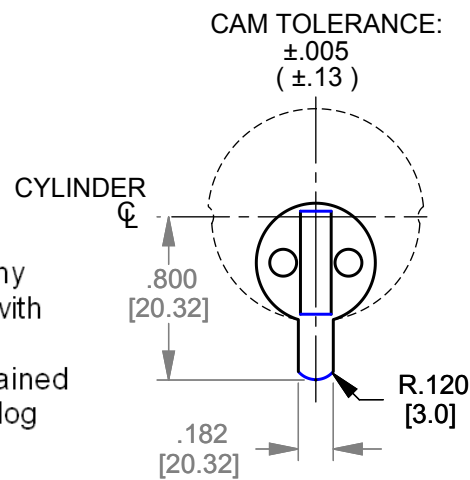
Flat Face Plate can be adjusted for right or left beveled edge doors. Radius Weather Strip is optional.

**STILE PREPARATION**

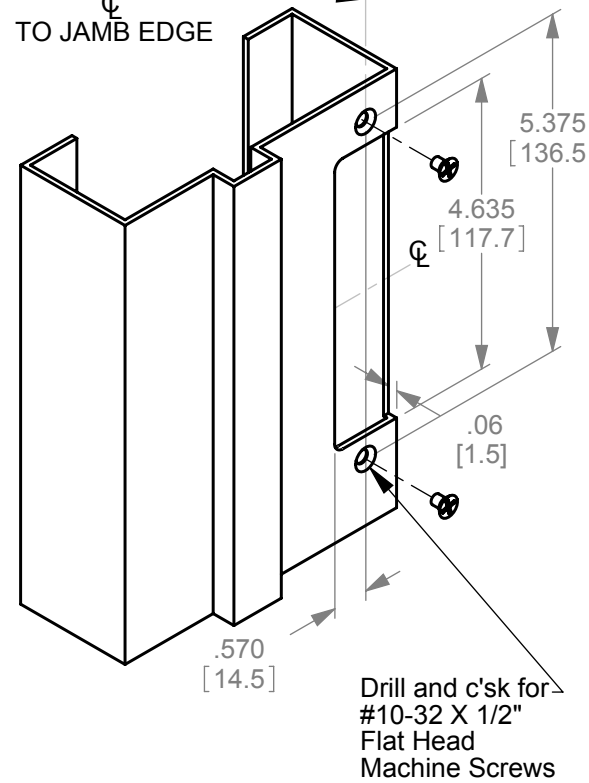


**CYLINDER CAM**

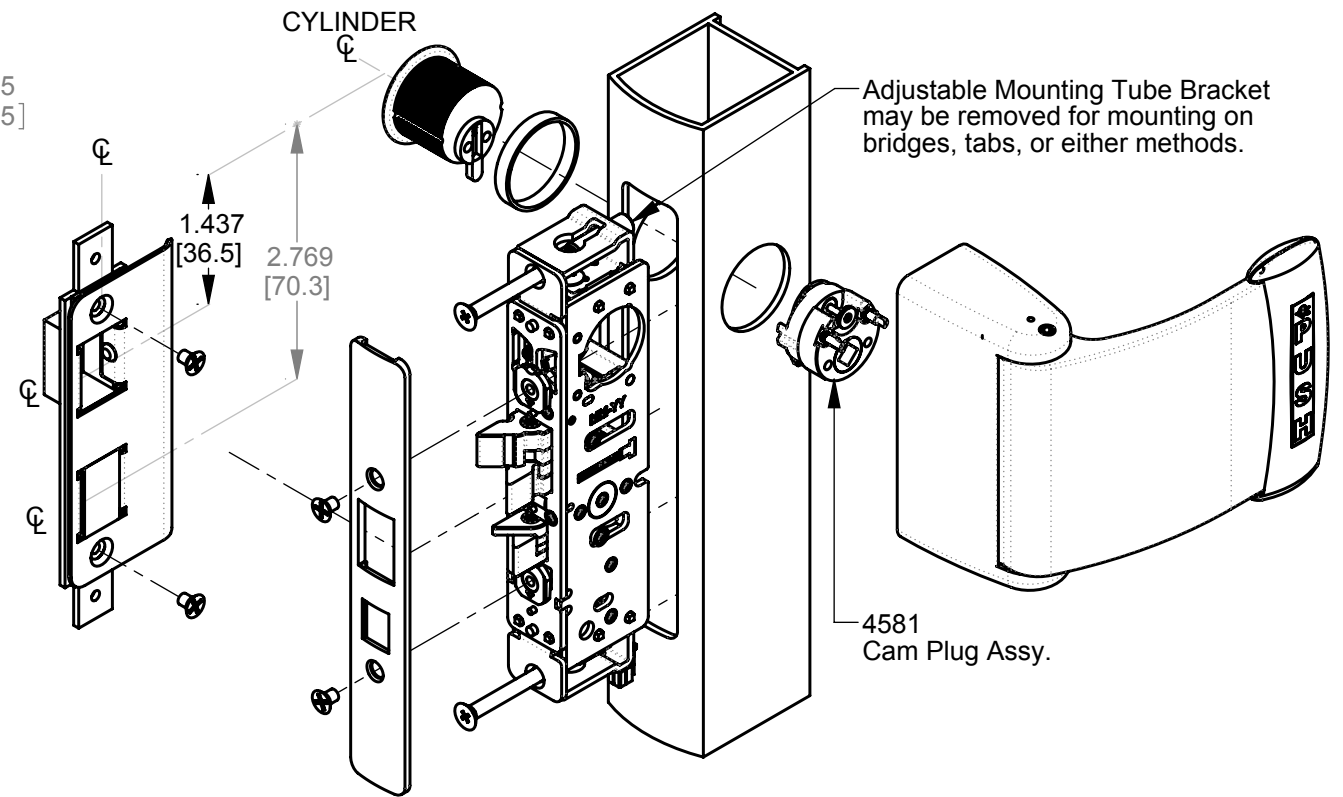
4300 Series Deadlatches are operable by any standard 1-5/32" diameter Mortise cylinder with special MS® cam dimensioned as shown. Cylinders with MS® cams can be readily obtained from most cylinder manufacturers. See catalog for cylinder make and trim ring information.



DOOR  
TO JAMB EDGE

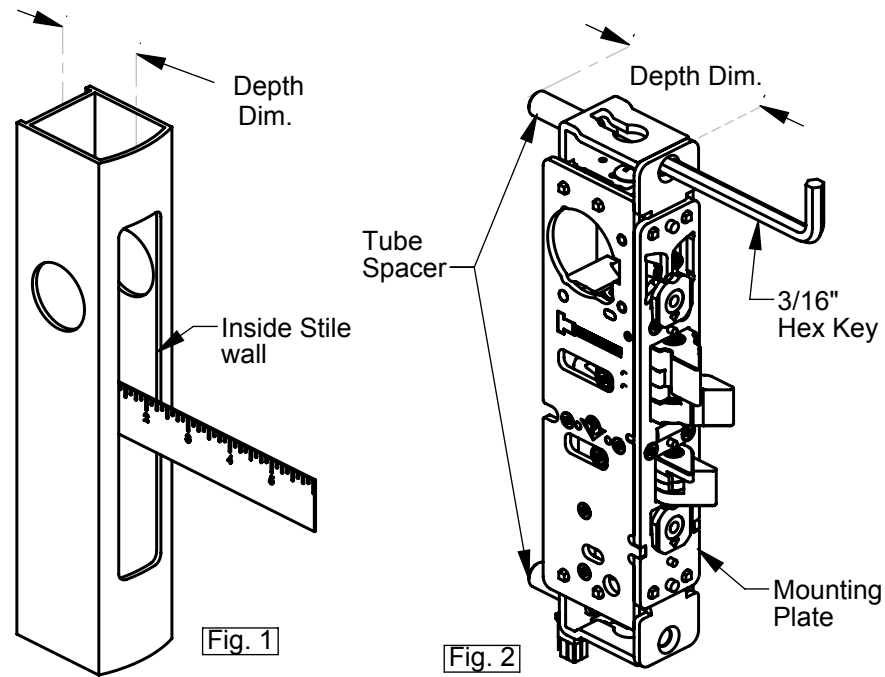


**INSTALLATION**



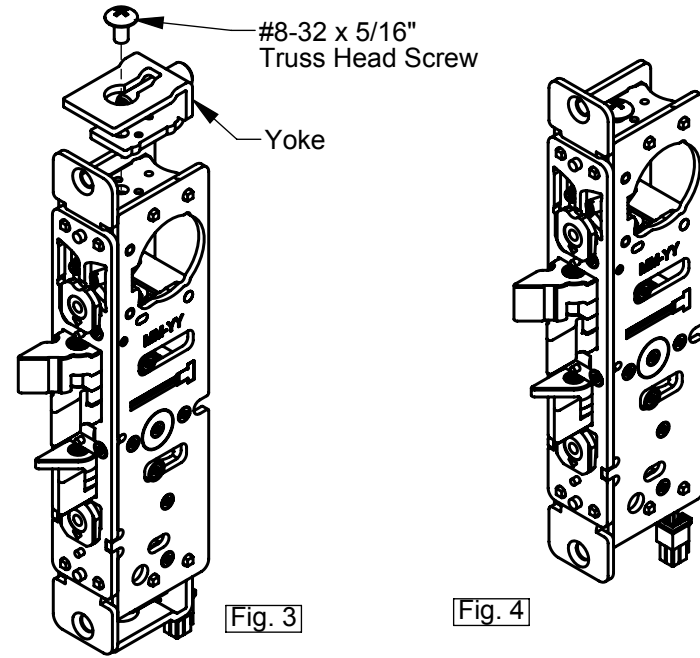
**FOR TRADITIONAL MOUNTING INSTALLATIONS**

- Measure the depth from the back of the stile to the inside wall of door edge (Fig. 1).
- Match the distance from the face of the Mounting Plate to the end of Tube Spacer. Use 3/16" Hex Key for fine adjustment (Fig. 2).



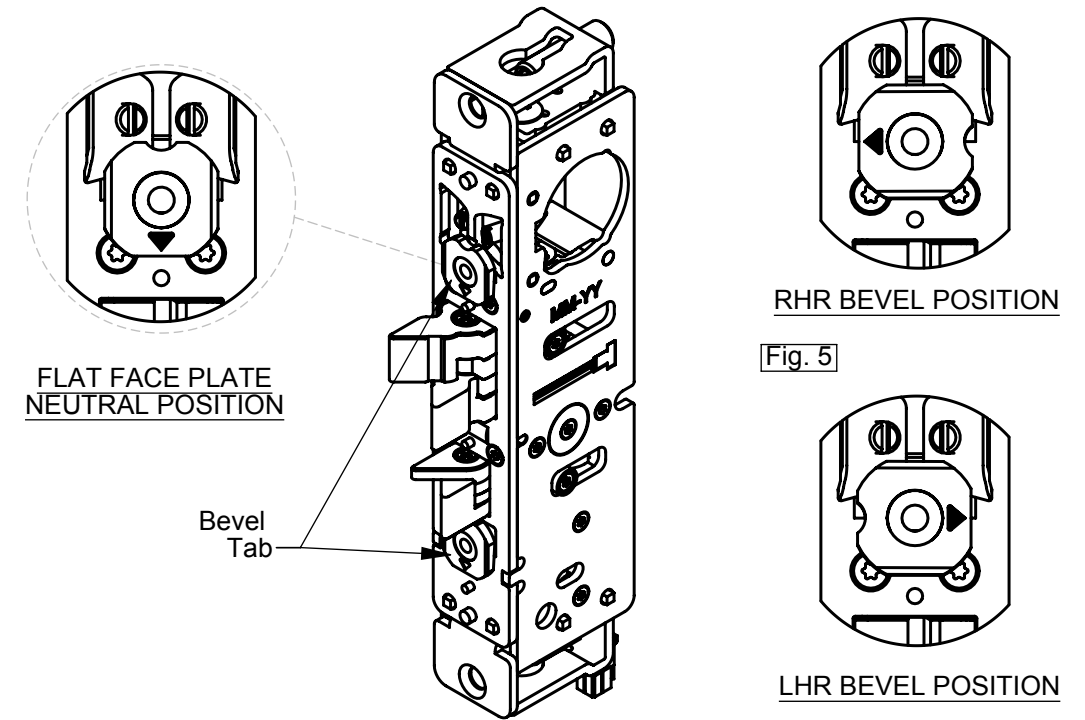
**FOR MOUNTING TAB INSTALLATIONS**

- Remove top and bottom #8-32 x 5/16" Truss Head Screw as shown (Fig. 3).
- Remove Yoke, and refasten #8-32 x 5/16" Truss Head Screw (Fig. 4).



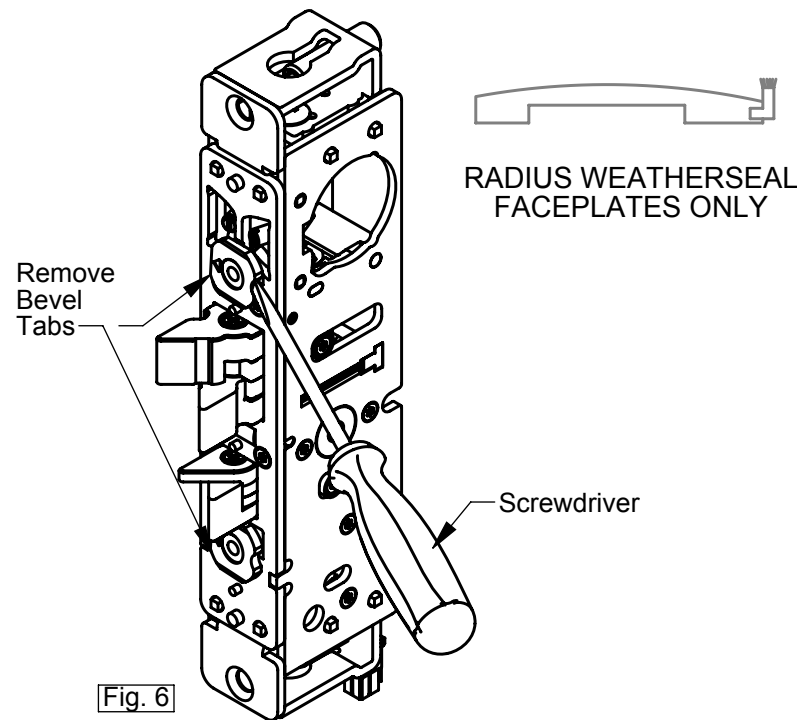
**BEVEL ADJUSTMENT**

- Rotate Bevel Tab to desired hand ( Fig. 5 ).
- Using the bevel adjustment allows the Flat Faceplate to work in beveled stiles. Radius and Flat Faceplates are included.



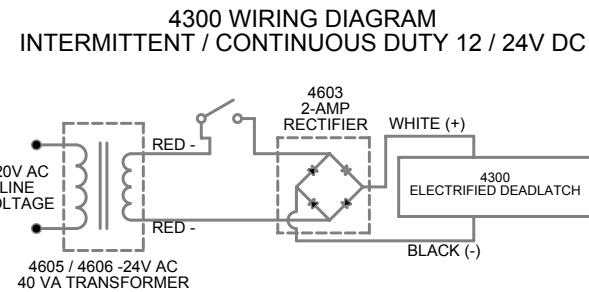
**FOR RADIUS WITH WEATHERSEAL FACEPLATE ONLY**

- With a small screwdriver, remove bevel tabs as shown ( Fig. 6 )

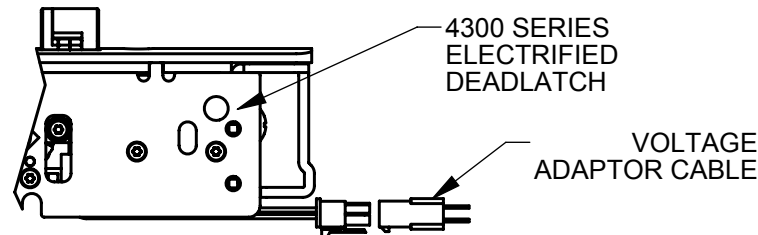


**SOLENOID SPECIFICATION**

SOLENOID AVAILABLE VOLTAGES  
12V DC CONTINUOUS DUTY,  
24V DC CONTINUOUS DUTY.



VOLTAGE ADAPTOR CABLE			
P/N#	WIRE COLOR	APPLICATION	SOLENOID CURRENT DRAW
31-0360-01	BLACK	12V DC	0.44 AMPS
31-0360-02	RED	24V DC	0.24 AMPS



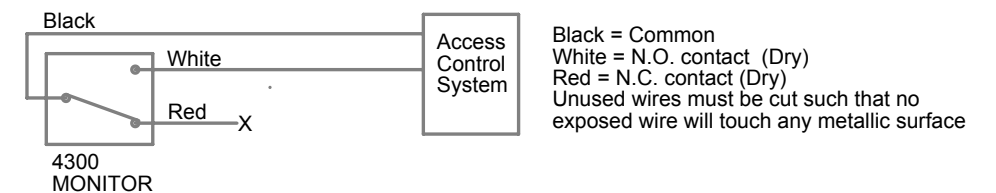
- EXTEND THE WIRE RUN FROM THE POWER SOURCE AND THROUGH THE STILE PREPARATION. CONNECT THE WIRE TO THE VOLTAGE ADAPTOR CABLE.
- ATTACH VOLTAGE ADAPTOR CABLE TO 4300 AS SHOWN.

**MONITORING (OPTIONAL)**

MONITORED DEADLATCH CONTAINS AN INTERNALLY MOUNTED SWITCH. THIS SWITCH IS ACTIVATED WHEN THE DOOR IS IN CLOSE POSITION. ALL UNUSED LEADS FROM THE MONITOR SWITCH MUST BE INSULATED.

- Common contact - Black
- Normally Open contact (N.O.) - White
- Normally Closed contact (N.C.) - Red
- Maximum switching current - 0.1 Amps @ 125 VAC

EXAMPLE WIRING DIAGRAM WITH N.O. MONITORING



**PRODUCT MUST BE INSTALLED  
ACCORDING TO ALL APPLICABLE  
BUILDING AND LIFE SAFETY CODES**