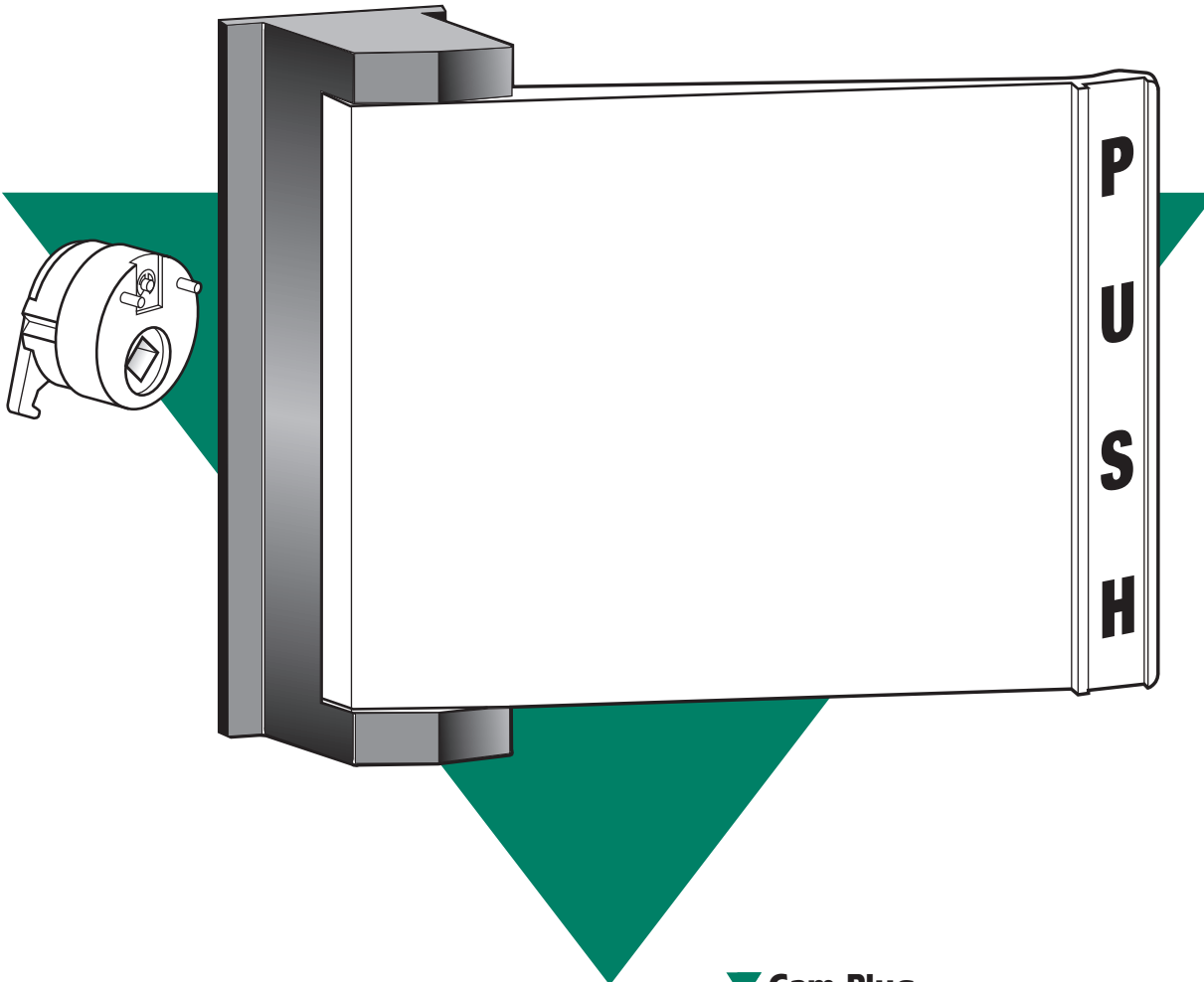




Deadlatch Paddle

4590



▼ Paddle

Extruded aluminum, 628 Clear Anodized finish (US28).
313 Dark Bronze Anodized and 335 Black Anodized.

▼ Function

An alternative to knob or lever handles. Makes opening a latched door as natural as opening an unlatched one - just push or pull in the direction the door swings. Available for any Adams Rite Series 4500/4700/4900 deadlatch or MS+1890 lock/latch.

▼ Cam Plug

Furnished for use with Series 4500/4700/4900 latches. (Not used with MS+1890 lock/latch.) Secured in latch body by cylinder setscrew, plug is also rigidly tied to escutcheon by hardened steel pins.

▼ Escutcheon

Zinc alloy with Black Ritecoat finish. Houses steel operating mechanism. Secured to door stile with special binder posts that extend into the escutcheon to rigidly resist torque loads in any direction.

▼ Operation

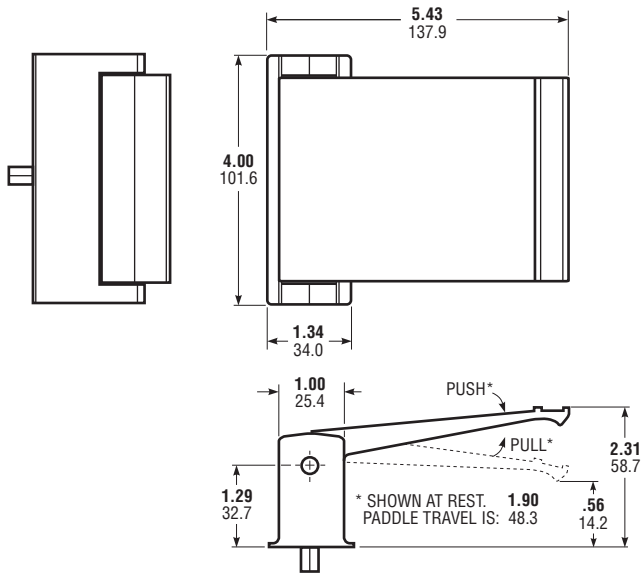
Available in four modes: Push to left, Push to right, Pull to left and Pull to right.



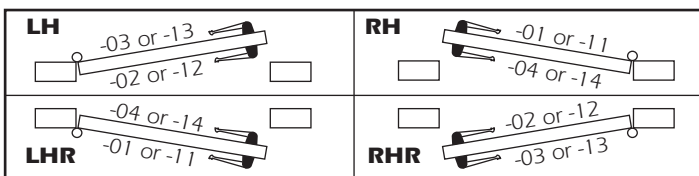
4590 Deadlatch Paddle

DIMENSIONS

INCHES
MILLIMETERS
Nominal, subject to tolerance extremes.



FIRST DASH	FOR LATCH SERIES	OPERATION	USE:
-01	4500/4700/4900	PULL TO LEFT	Outside of left hand reverse door or inside of right hand.
-11	MS+1890		
-02	4500/4700/4900	PUSH TO LEFT	Outside of left hand door or inside of right hand reverse.
-12	MS+1890		
-03	4500/4700/4900	PULL TO RIGHT	Outside of right hand reverse door or inside or left hand.
-13	MS+1890		
-04	4500/4700/4900	PUSH TO RIGHT	Outside of right hand door or inside of left hand reverse.
-14	MS+1890		



HOW TO ORDER

Specify quantity and the following information.

Operation
See Table above for Dash Number

Door Thickness For MS+1890

- 00 1-3/4"
- 01 2" - 2-1/4"
- 02 2-1/4" - 2-3/4"
- 03 3"

4590 - 02 - 01 - 313

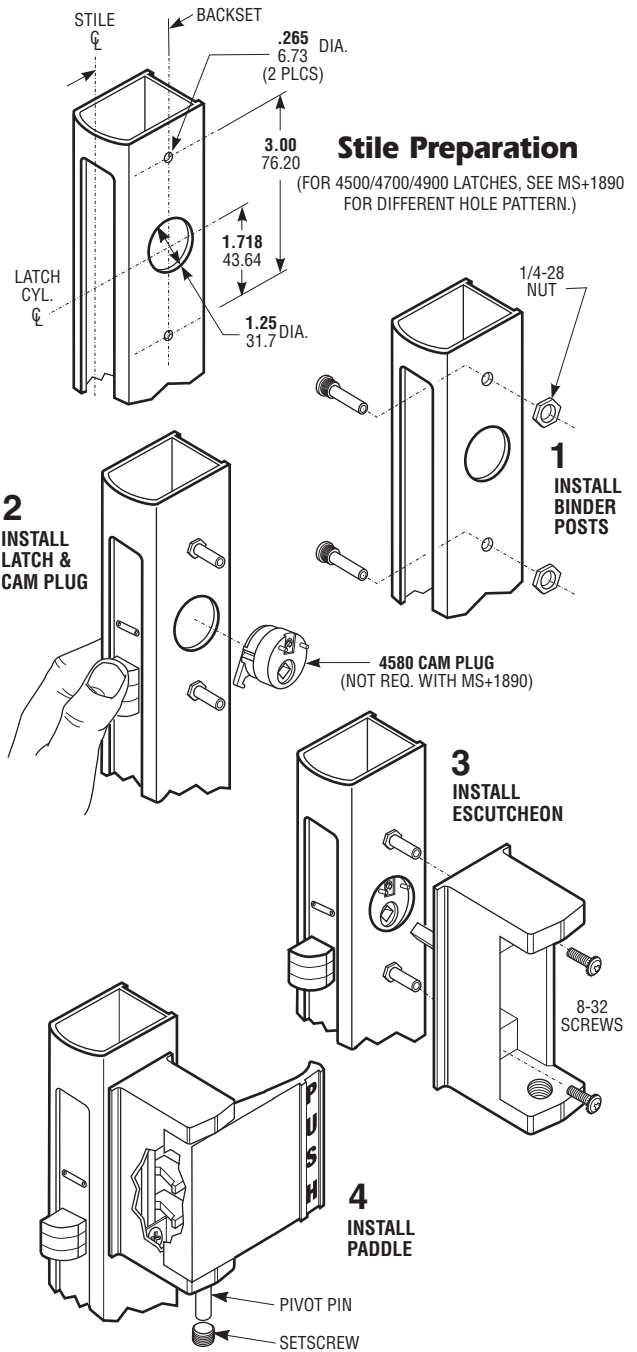
Door Thickness

- 00 1-3/4"
- 01 1-13/16" - 2"
- 02 2-1/4" - 2-1/2"
- 03 2-3/4" - 3"
- 04 3-1/4"

Finish

- 628 Clear Anodized
- 313 Dark Bronze Anod.
- 335 Black Anodized

INSTALLATION



OPTIONS

First dash number specifies operation (handing) and compatible latch. Second dash number can be used to specify non-standard units for doors thicker than 1-3/4".

STANDARD PACKAGE

Individually boxed with mounting hardware. Units for 4500/4700/4900 Series latches include cam plug. Shipping weight: 1-1/2 lb.