

4593 Latch Pull

4593E Electrified Latch Pull

*Shown with optional
Latch Guard (22-1031-XXX*)*

**Specify Finish*

▼ Electrification Option

Can be wired to integrate with card readers and access pads. A swipe of a card or use of any other access control device will unlock the Latch Pull. After a single use, the latch will revert to locked mode. Specify 24 VDC (.3 amps) or 12 VDC (.6 amps).

▼ Function

The Latch Pull offers ease of use and greater flexibility for narrow, medium and wide stile aluminum doors with Adams Rite 4500/4700/4900 Deadlatches and 8300/8400 Exit Device latches. It is ideal for applications that require free access during the day and controlled access after hours. A simple pull of the handle unlatches the door. Handle is spring-loaded to return to center. Requires use of key after each activation or can be set to stay latched but unlocked. Handle stays free-swinging in either mode. For 1-3/4" thick doors only.

▼ Housing

Measures approx. 10" x 3" x 2-1/4" deep. Zinc alloy with 121 Dark Bronze, 119 Black, 130 Silver Ritecoat finish. Houses steel operating mechanism. Only two bolts needed to install.

▼ Pull Handle

Cast zinc alloy, finished to match housing.

▼ Compatible Deadlatches

For use with any Adams Rite 4500/4700/4900 Series Deadlatches and 8400 Series Mortise Exit Device latches. Adaptable for either 5, 6 or 7-pin cylinders.

▼ Operation

Pull handle 27° to unlock/unlatch. Configurable in two modes: lock after each activation or latch only (passage). Key operation from outside unlocks the handle to activate the deadlatch.

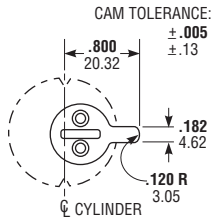
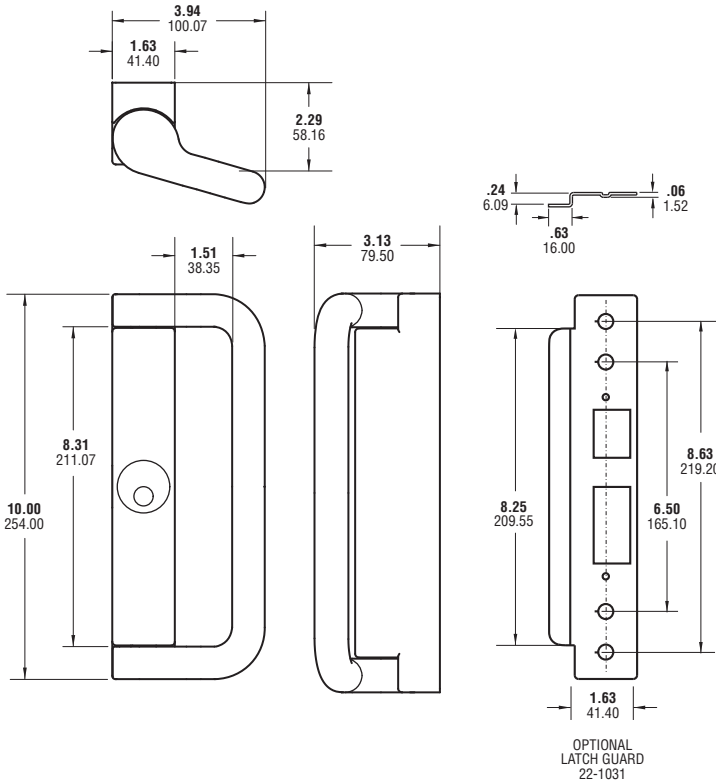


4593/4593E Latch Pull

DIMENSIONS

INCHES
MILLIMETERS

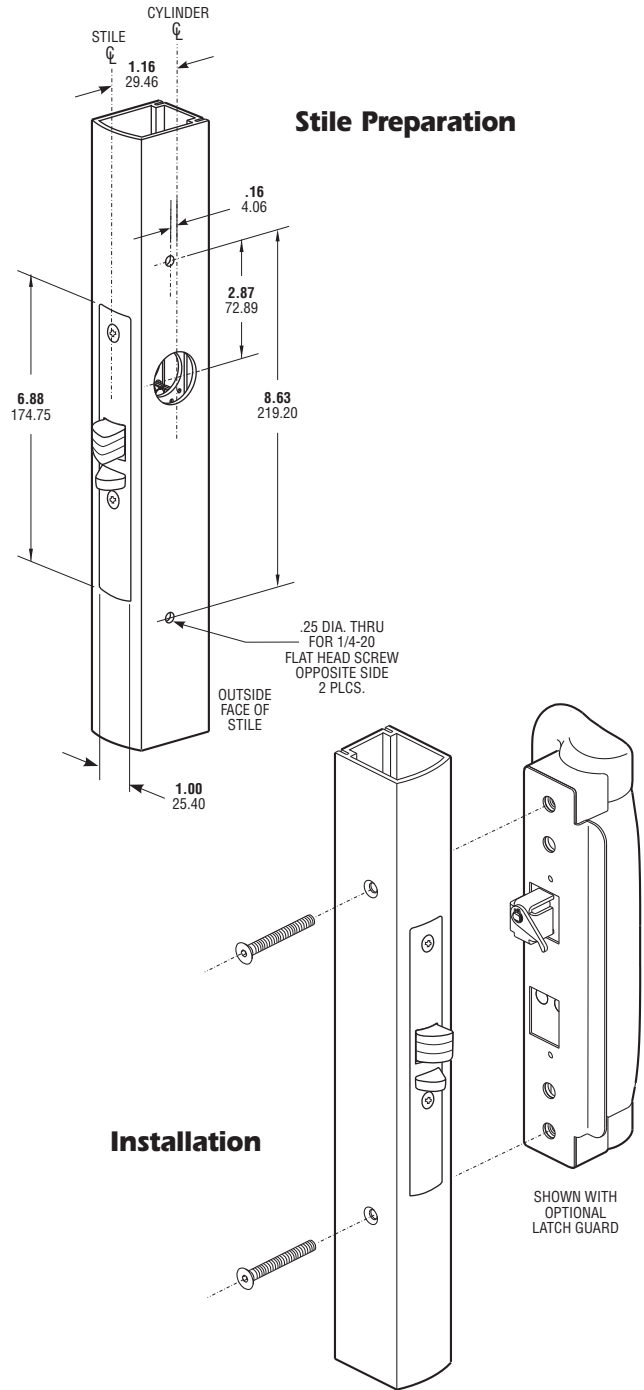
Nominal, subject to tolerance extremes.



Cylinder Cam

4593 Latch Pull accepts any standard 1-5/32" diameter mortise cylinder with special MS® cam dimensioned as shown. Cylinders with MS® cams can be readily obtained from most cylinder manufacturers. See page SW-33 for cylinder make and trim ring information.

INSTALLATION



Installation

HOW TO ORDER

Specify quantity and the following information.
Order Electrified version separately. (See page AC-22)
Order related hardware separately.

Door Hand
07 RHR
08 LHR

Specify Voltage if ordering Electrification Option
12 12 volt VDC
24 24 volt VDC

4593 E - 07 - 130 - 24

Add if ordering Electrification Option

Finish Painted to Match
130 628 Clear Anodized
121 313 Dark Bronze Anod.
119 335 Black Anodized
CHP Champagne

OPTIONS

Available in four Ritecoat finishes. Also available with electrification option to integrate with card reader or other access system, see page AC-22. Order 22-1031 Latch Guard separately (not applicable for center hung doors.).
Electrification Kit: 91-0454-xx (Specify 12 VDC or 24VDC)

STANDARD PACKAGE

Individually boxed with installation instructions and mounting hardware. Shipping weight approximately 5.5 lbs.