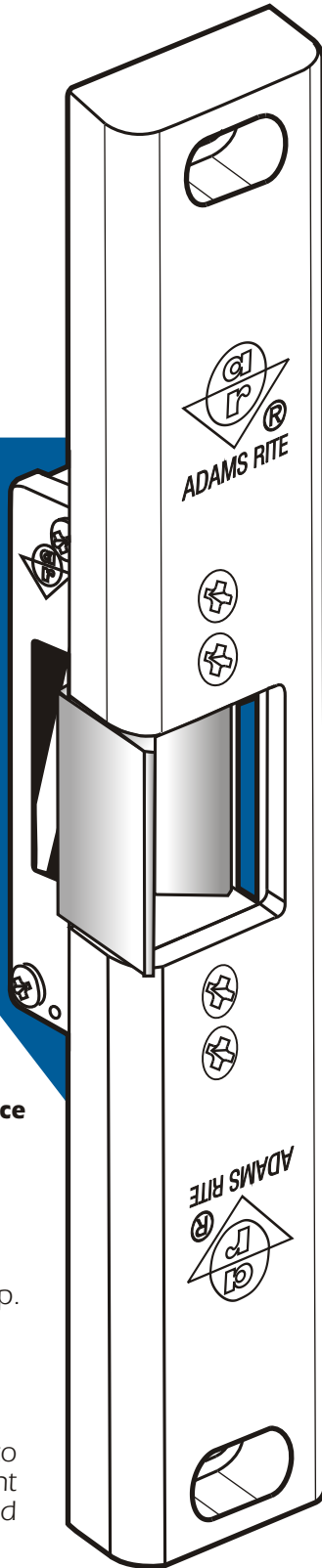


VOLTAGE		
Available in 12, 16 or 24 volt AC and DC. DC and AC Continuous units are silent, AC intermittent units "buzz" on operation.		
CURRENT DRAW/AMPS		
Volts	AC Int.	DC or AC Cont.
12	1.42	.33
16	1.03	.22
24	.74	.17



PATENTED

**UL Listed for Burglary Resistance**

### ▼ Case

Approx. 1" x 3-3/8" x 1-1/8" deep. Made of zinc-aluminum alloy.

### ▼ Fail Safe/Fail Secure

Field convertible from one mode to the other. However, AC intermittent solenoid must not be used continuously in either.

## 71R2

ANSI/BHMA Type EO9322

LATCH TYPE	
	Narrow Stile Rim Exit Devices with 1/2" Bolt
DOOR FRAME TYPE	
	Aluminum

### ▼ Strike Opening

5/8" x 1-7/16" x 1/2" deep. Bolt retainer jaw is made of brass.

### ▼ Mounting Plate

Measures 1-1/2" x 9" x 1/2" deep. Made of zinc/aluminum alloy. Standard finish in Ritecoat epoxy to match Clear, Dark Bronze Anodized and Black Anodized finishes.

### ▼ Function

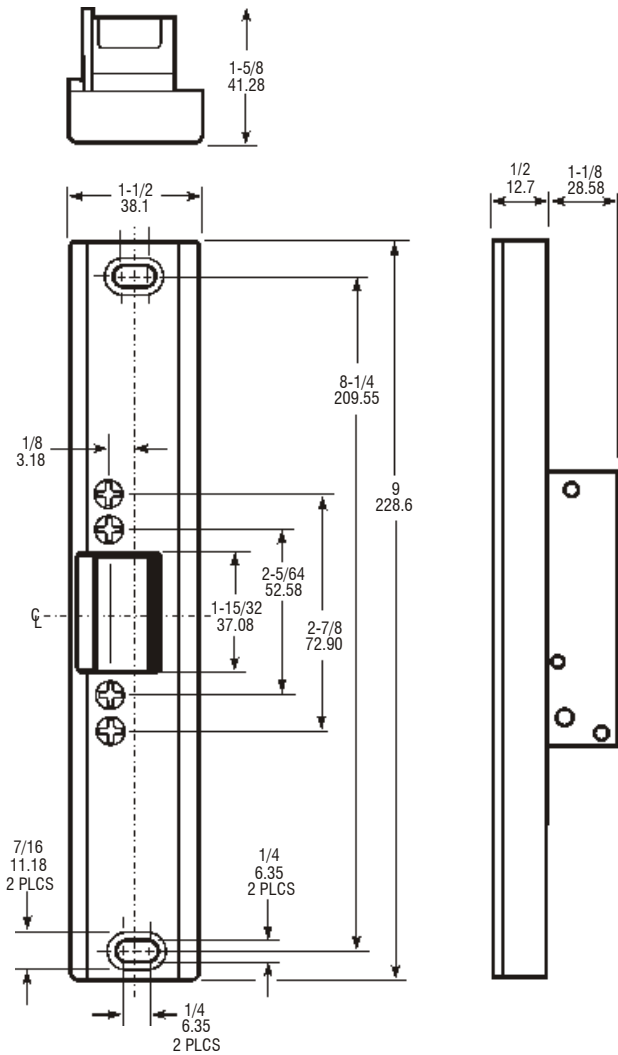
A semi-mortised strike for Rim exit devices having 1/2" Pullman type bolts without auxiliary bolts. Provides electrical remote control allowing door to open without actuation of the exit device.



# 71R2 Electric Strike

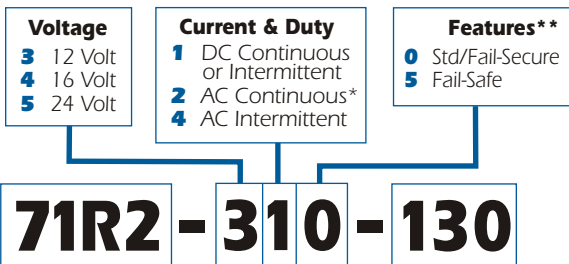
## DIMENSIONS

INCHES  
MILLIMETERS



## HOW TO ORDER

Specify quantity and the following information.  
Order 4603 Rectifier and/or 4605 or 4606 Transformer separately.  
(4603 included with AC Cont.)

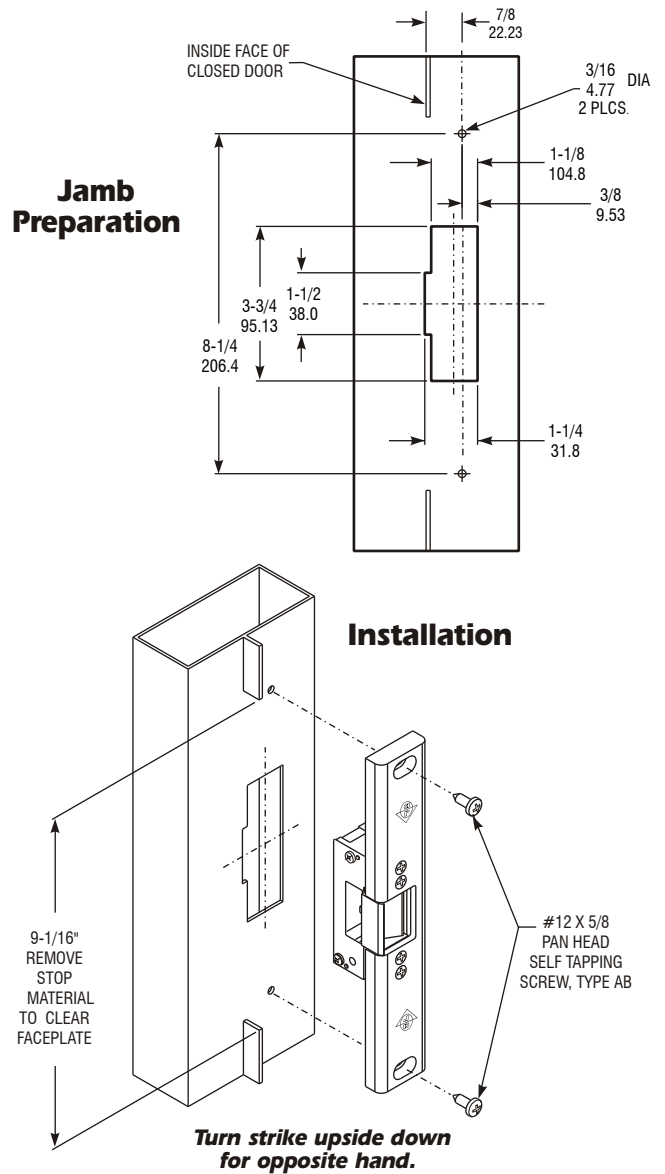


\*A DC strike with rectifier attached for use on AC current.

\*\*Fail-secure can be field converted to fail-safe or vice-versa.

**Ritecoat Finish**  
**130** To match 628 Clear Anodized  
**121** To match 313 Dark Bronze Anod.  
**119** To match 335 Black Anodized

## INSTALLATION



## STANDARD PACKAGE

Individually boxed with mounting screws and installation instructions. Shipping weight approx. 2 lbs.

## OPTIONS

Ritecoat finishes are standard to match aluminum finishes. Choice of voltage in AC and DC for intermittent or continuous duty. Specify assembled for either fail-secure (locked when unpowered) or fail-safe (locked when powered) operation, but can be field-converted to the other mode.

**4603 Rectifier** - Converts AC to DC. Installs in low voltage line between transformer and strike. Rated 2 amps. (200 PIV).

**4605 Transformer** - Converts 120VAC to 12/24VAC. Rated 40 Volt-amp output assures plenty of power for strike release. Patented mounting bracket fits in knockout hole of standard junction boxes.

**4606 Transformer** - Plug-in version for standard wall outlet.

See separate specification sheet for more information on Strike options.