

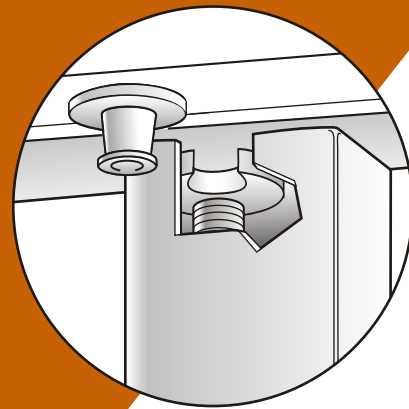
BHMA TYPE 5

Narrow Stile Surface Vertical Rod Exit Device

For Aluminum Doors

8200 Series

LIFE-SAFETY



Features:

- ▼ Patented top latching mechanism interlocks door to frame
- ▼ Adjustable steel rods protected in contoured covers
- ▼ Pushbar clad or anodized, not plated, in a variety of finishes
- ▼ Easy to install
- ▼ Clean, unobtrusive design
- ▼ Strong, durable construction for a high level of security

CERTIFICATIONS:

and Warnock/Hersey Life-Safety Listing
ANSI/BHMA A156.3 Grade 1
California State Fire Marshall
New York City MEA*

*Consult factory for specific number





Features & Dimensions

Narrow Stile Surface Vertical Rod Exit Device

ANSI/BHMA
Grade 1

Handing
Device is non-handed. Lever Entry
Trim is field reversible.

Pushbar Length
Standard Sizes: Dimensioned for 30",
36", 42" & 48" openings. Standard
width bars can be field cut to the
next smallest opening width.

Bar Height
Standard model adjusts from 30" to 44".

Door Height
Standard model fits up to 8ft. door, with
bar height at 40" - 44". For doors up to
10ft., use Tall Door Kit 8055.

Door Thickness
Suits 1-3/4" standard, up to 2-1/4".

Stile Width
Minimum 2" Stile. Fits Narrow, Medium
and Wide Stile aluminum doors.

Projection
2-15/16" when fully projected,
1-15/16" when dogged.

Dogging
Standard dogging with hex key or
cylinder dogging option. Electric
dogging also available.

Materials
Pushbar made of extruded aluminum,
clad or anodized in a variety of finishes.

Fasteners
Standard self-tapping screws.

Strike
Made of hardened steel. Supplied with
exit device.

Cylinders (order separately)
Cylinder x Fixed Pull:
(Function 03)
Accepts any standard Rim cylinder.
Entry Lever or Thumbturn:
(Functions 08, 09, 11, 12)
Accepts any standard diameter
Mortise cylinder with MS® cam.
Accommodates cylinder lengths
from 1" to 1-1/4".

Warranty
Five year limited.

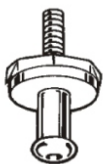
AVAILABLE FINISHES

- 313** Dark Bronze Anod.
- 335** Black Anodized
- 628** Clear Anodized
- US3** Bright Brass
- US4** Satin Brass
- US9** Bright Bronze
- US10** Satin Bronze
- 10B** Dark Bronze
(Trim only)
- US32** Bright Stainless
- US32D** Satin Stainless

*Consult factory for
special finishes.*



Bolts and Strikes

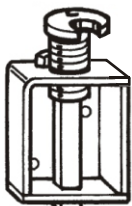


Top
Strike

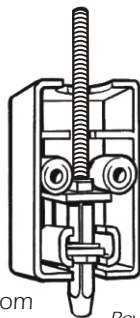
The patented top latching mechanism
utilizes a rotating Top Bolt which
deadlatches around the Header Strike,
interlocking the door to the frame.

Supplied with Standard Header Strike.

The hexagonal, hardened steel Bottom
Bolt is shielded in a cast housing for
strength and stability.

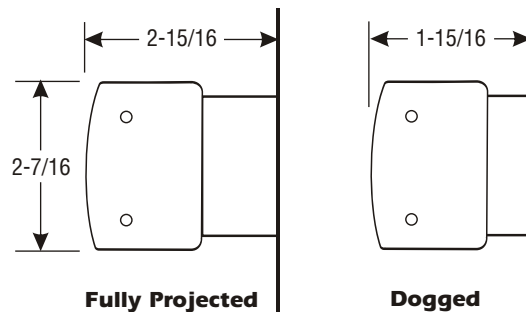


Top
Bolt



Bottom
Bolt
Reverse view

Pushbar Dimensions



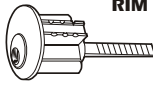




Fully Projected

Dogged

Trim & Function

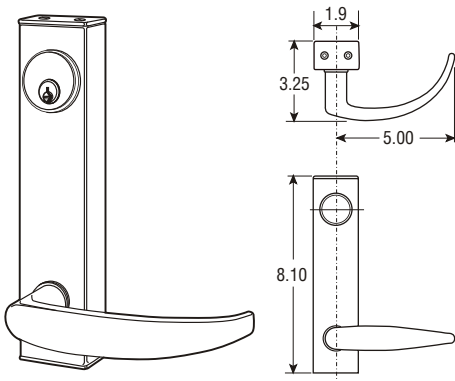
Narrow Stile Surface Vertical Rod Exit Device

ANSI/BHMA Functions:

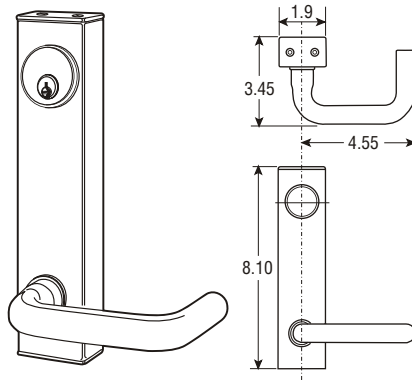
01	02	03	08	09	11	12	14
EXIT ONLY- NO TRIM	PULL ONLY WHEN DOGGED FIXED PULLS BY OTHERS	KEY RETRACTS LATCHBOLT NL FIXED PULLS BY OTHERS	KEY LOCKS LEVER	KEY LOCKS LEVER NL	KEY LOCKS THUMBTURN	KEY LOCKS THUMBTURN NL	PASSAGE SET
CYLINDER TYPE							
N/A	N/A	RIM 	MORTISE 	MORTISE 	MORTISE 	MORTISE 	N/A

NL – Night Latch

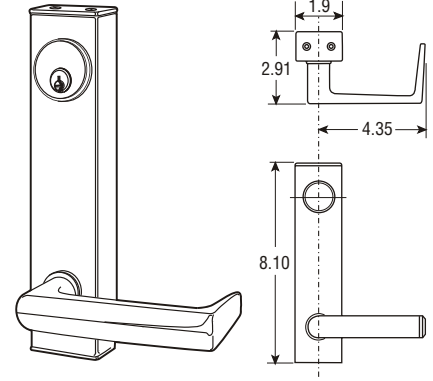
Clutch Lever Entry Trim



Modern Model 3081

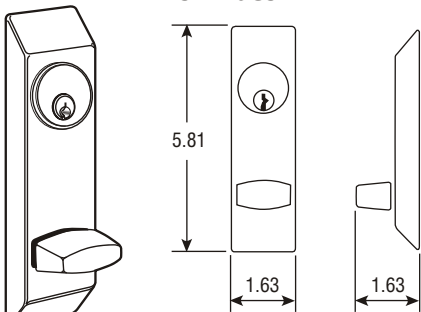


Tubular Model 3082



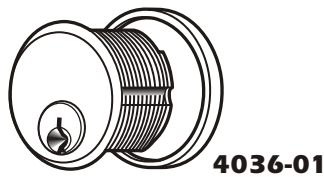
Traditional Model 3083

Thumbturn



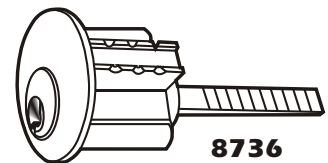
Model 8066

Mortise Cylinder



Standard diameter five-pin unit with MS® cam, suitable for use with Entry Trim. All brass construction with front "scalp" available in finishes 628, 313 and 335. Available in quantity all keyed different (KD), in pairs (KA2) or fifty alike (KA50). Any other make standard Mortise cylinder with MS® cam can be used to "key in" with existing systems.

Rim Cylinder



Standard five-pin unit with spindle to suit Surface Vertical Rod exit devices. All brass with same choices of keying as Mortise cylinder. Available in finishes 628, 313 or 335. Any other make standard Rim cylinder can be used to key in with existing systems. Note that if entry trim is specified for cylinder use, the cylinder must be Mortise type, regardless of exit device.

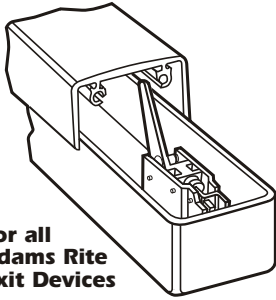


Options & Accessories

Narrow Stile Surface Vertical Rod Exit Device

Order by adding suffix to Exit Device in place of hyphen or by separate model number.

MONITOR/SIGNAL SWITCH



For all Adams Rite Exit Devices

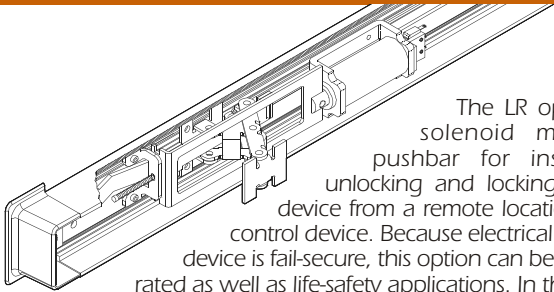
- M1 - Single Switch
- M2 - Dual Switch

A switch in the exit device pushbar mounted on the hinge end. Switch can be used to activate signal light, horn, monitor or other devices. Most common application is to release maglock when pushbar is depressed. Switch can be wired for normally open or normally closed depending upon application. Can be retrofit in field to existing exit device. Dual switch version offers redundancy as required by some building codes or the option of operating a second signaling device.

Specify by adding "M1" or "M2" after exit device model number.

Monitor Kits for upgrading any 3000 or 8000 Series device:
91-0897-01 - Single Switch 91-0897-02 - Dual Switch

ELECTRIC LATCH RETRACTION



The LR option uses a solenoid mounted in pushbar for instantaneous unlocking and locking of the exit device from a remote location or access control device. Because electrical operation of device is fail-secure, this option can be used on fire-rated as well as life-safety applications. In the event of a power failure device automatically relatches. Requires the use of PS-LR Power Supply, which will power two exit devices. (Using an alternate to the PS-LR Power Supply will void warranty).

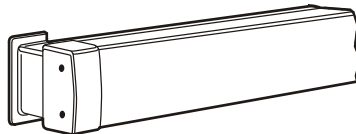
Specify by adding "LR" after exit device model number. Order PS-LR Power Supply separately. Order Battery Backup Kit separately (BBK-LR).

Solenoid Specifications:

16 Amps Inrush/.5 Amps Hold
Solenoids are rated for both intermittent and continuous operation.
Also see 4612 Power Transfer.

MONITORED DUMMY PUSHBAR

- 8099M1 - Single Switch
- 8099M2 - Dual Switch
- 8099-00 - Dummy Only



Dummy pushbar with no latch mechanism but with either a single or dual monitor/signal switch. Most common application is in conjunction with a maglock where bar is used to turn off magnet and allow exit from building. Dual switch version allows redundancy where required by code or the operation of a signal device along with maglock. Specify door type and width when ordering. Available in all exit device finishes.

The 8099-00 is also available as a non-operating dummy for doors not requiring an exit device, but where matching trim is desired. Specify door type, opening width and finish to be matched.

ALARMED EXIT DEVICE



For all Adams Rite Exit Devices

This option emits a loud alarm to notify management of unauthorized exit. Will not alter the Life-Safety characteristics of the exit device in any way. Control of the alarm is by use of a key in any standard Mortise cylinder with MS® cam to arm, disarm, delay or reset the alarm. Red letters on the bar give a "hands off" warning to deter accidental actuation.

Battery Operated Alarm

Four AA alkaline batteries power a horn to create a piercing 95 decibel noise for two minutes (or until disarmed) when pushbar is depressed. Beeps to signal need for new batteries.

Hardwired Alarm

Can be connected to external horn for louder or remote signal. Remote monitor LED light can also be wired in, as can a door position proximity switch. Also accommodates an external delay switch, such as an outside key switch or pad, to allow authorized entry. Uses rechargeable nicad batteries connected to 12-24 Volt AC or DC source. Each bar has its own battery backup system.

Minimum opening width: 36"

CYLINDER DOGGING

For all non-fire rated Adams Rite Exit Devices

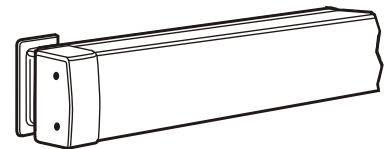


For management control of dogging. Any standard 15/16" to 1-1/8" long Mortise cylinder with MS® cam can be used in a pushbar prepared at factory with Cylinder Dogging kit. Cannot be used with Alarm, EL or LR options.

Specify by adding "C" after exit device model number.

ELECTRIC DOGGING

For all Adams Rite Exit Devices



The "ED" option uses a holding magnet to keep the pushbar depressed (set manually) and the latch retracted. This gives a lower profile exit device, resulting in less damage and quieter operation. All "ED" devices include an internal microswitch that signals when the bar is held in the depressed position, ideal for automatic door operators. On fire-rated devices, it must be wired through the fire alarm system. All devices operate at 24VDC, drawing .6 amp, allowing them to operate with a simple transformer and rectifier.

Note: Not to be used as access control element. Specify "LR" with access control devices such as card reader or keypads.

Specify by adding "ED" after exit device model number (ex. 8611ED36).