

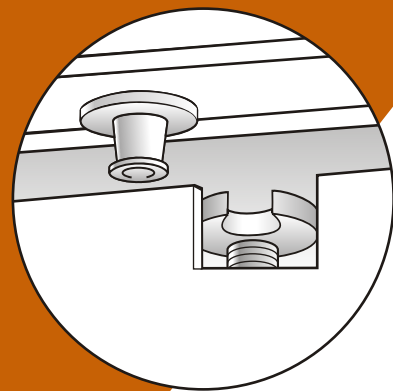
BHMA TYPE 6

Narrow Stile Concealed Vertical Rod Exit Device

For Aluminum Doors

8600 Series

LIFE-SAFETY



Also available
for a Midpanel
door design

CERTIFICATIONS:

Life-Safety Listing
ANSI/BHMA A156.3 Grade 1
California State Fire Marshall
New York City MEA*

*Consult factory for specific number

Features:

- ▼ Patented top latching mechanism interlocks door to frame
- ▼ Top and bottom adjustable steel rods
- ▼ Pushbar anodized or clad, not plated, in a variety of finishes
- ▼ Easy to install
- ▼ Clean, unobtrusive design
- ▼ Strong, durable construction for a high level of security



Features & Dimensions

Narrow Stile Concealed Vertical Rod Exit Device

ANSI/BHMA
Grade 1

Handing

Device is non-handed. Lever Entry Trim is field reversible.

Pushbar Length

Standard Sizes: Dimensioned for 30", 36", 42" & 48" openings. Standard width bars can be field cut to the next smallest opening width.

Projection

2-5/8" when fully projected,
1-5/8" when dogged.

Door Thickness

Suits 1-3/4" standard, up to 2-1/4".
Device requires modification when used with cylinder in doors over 1-3/4".

Stile Wall

Doors with stile walls other than 1/8" require modification.

Stile Width

Minimum 2" Stile. Fits Narrow, Medium and Wide Stile aluminum doors.

Bar Height

Adjustable from 30" to 44".

Door Height

Standard unit adjustable for doors up to 66" above the selected bar height. For doors over 66" above bar height, up to 10', use 8655 Tall Door Kit.

Materials

Pushbar made of extruded aluminum, clad or anodized in a variety of finishes.

Dogging

Standard dogging with hex key or optional cylinder dogging. Electric dogging available.

Fasteners

Standard self-tapping screws.

Strike

Made of hardened steel. Supplied.

Cylinders (order separately)

Cylinder x Fixed Pull:

(Function 03)

Accepts any standard Mortise cylinder with MS® cam.

Entry Lever or Thumbturn:

(Functions 08, 09, 11, 12)

Accepts any standard diameter Mortise cylinder with MS® cam. Accommodates cylinder lengths from 1" to 1-1/4".

Warranty

Five year limited.

AVAILABLE FINISHES

313 Dark Bronze Anodized

335 Black Anodized

628 Clear Anodized

US3 Bright Brass

US4 Satin Brass

US9 Bright Bronze

US10 Satin Bronze

10B Dark Bronze
(Trim only)

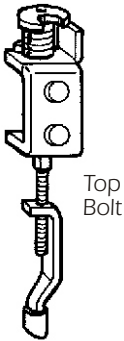
US32 Bright Stainless

US32D Satin Stainless

Consult factory for special finishes.

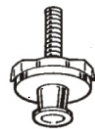


Bolts and Strikes



Top Bolt

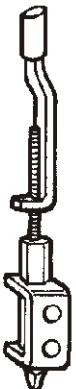
The patented top latching mechanism utilizes a rotating Top Bolt which deadlatches around the Header Strike, interlocking the door to the frame.



Standard Strike

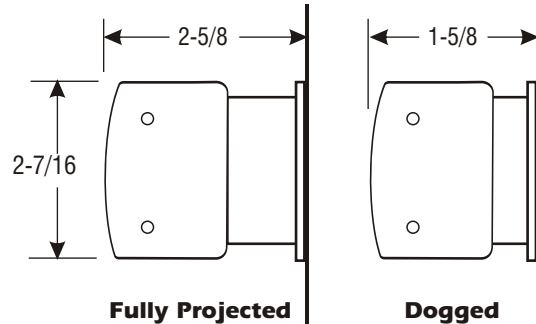
Supplied with Standard Header Strike.

The hexagonal, hardened steel Bottom Bolt works in harmony with the Top Bolt



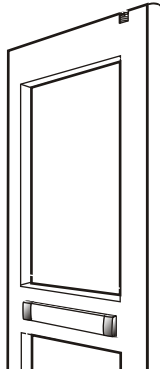
Bottom Bolt

Pushbar Dimensions



8675 Midpanel






The Concealed Vertical Rod exit device is also available for use with a Midpanel design. Consult factory for applications.



Trim & Function

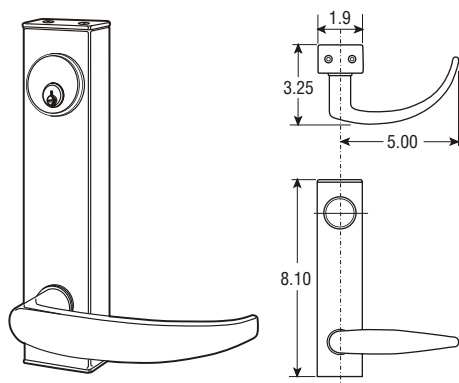
Narrow Stile Concealed Vertical Rod Exit Device

ANSI/BHMA Functions:

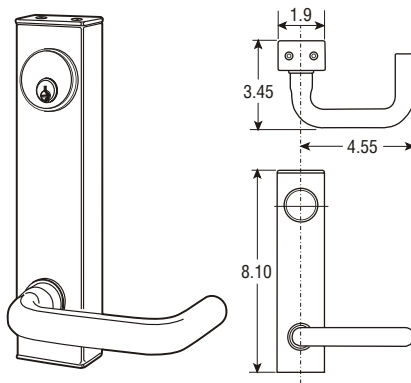
01	02	03	08	09	11	12	14
EXIT ONLY - NO TRIM	PULL ONLY WHEN DOGGED FIXED PULLS BY OTHERS	KEY RETRACTS LATCHBOLT NL FIXED PULLS BY OTHERS	KEY LOCKS LEVER	KEY LOCKS LEVER NL	KEY LOCKS THUMBTURN	KEY LOCKS THUMBTURN NL	PASSAGE SET
CYLINDER TYPE							
N/A	N/A	MORTISE 	MORTISE 	MORTISE 	MORTISE 	MORTISE 	N/A

NL - Night Latch

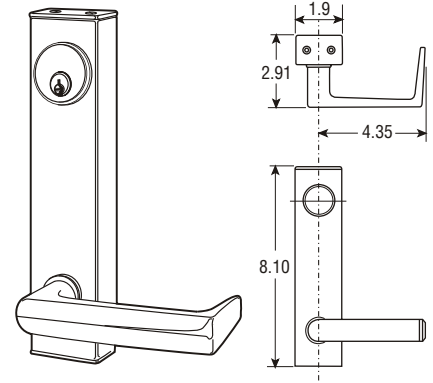
Clutch Lever Entry Trim



Modern Model 3081

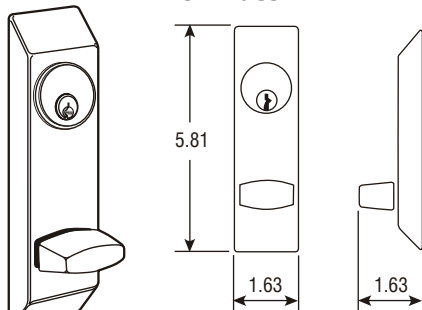


Tubular Model 3082



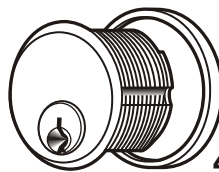
Traditional Model 3083

Thumbturn



Model 8066

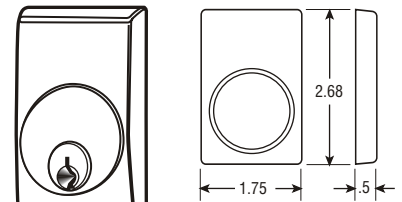
Mortise Cylinder



4036-01

Standard diameter five-pin unit with MS® cam, suitable for use with Entry Trim on Rim exit devices. All brass construction with front "scalp" available in finishes 628, 313 and 335. Available in quantity all keyed different (KD), in pairs (KA2) or fifty alike (KA50). Any other make standard Mortise cylinder with MS® cam can be used to "key in" with existing systems.

Escutcheon



8650

Required to mount any make standard Mortise cylinder, with MS® cam, on outside of door. Specify finish being matched when ordering.

Narrow Stile Concealed Vertical Rod Exit Device

Order by adding suffix to Exit Device in place of hyphen or by separate model number.

MONITOR/SIGNAL SWITCH



For all Adams Rite Exit Devices

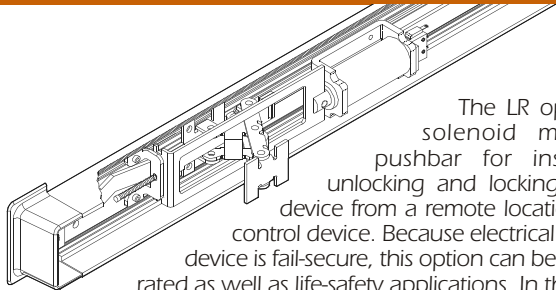
M1 - Single Switch
M2 - Dual Switch

A switch in the exit device pushbar mounted on the hinge end. Switch can be used to activate signal light, horn, monitor or other devices. Most common application is to release maglock when pushbar is depressed. Switch can be wired for normally open or normally closed depending upon application. Can be retrofit in field to existing exit device. Dual switch version offers redundancy as required by some building codes or the option of operating a second signaling device.

Specify by adding "M1" or "M2" after exit device model number.

Monitor Kits for upgrading any 3000 or 8000 Series device:
91-0897-01 - Single Switch 91-0897-02 - Dual Switch

ELECTRIC LATCH RETRACTION



The LR option uses a solenoid mounted in pushbar for instantaneous unlocking and locking of the exit device from a remote location or access control device. Because electrical operation of device is fail-secure, this option can be used on fire-rated as well as life-safety applications. In the event of a power failure device automatically relatches. Requires the use of PS-LR Power Supply, which will power two exit devices. (Using an alternate to the PS-LR Power Supply will void warranty).

Specify by adding "LR" after exit device model number. Order PS-LR Power Supply separately. Order Battery Backup Kit separately (BBK-LR).

Solenoid Specifications:

16 Amps Inrush/.5 Amps Hold
Solenoids are rated for both intermittent and continuous operation.
Also see 4612 Power Transfer.

MONITORED DUMMY PUSHBAR

8099M1 - Single Switch
8099M2 - Dual Switch
8099-00 - Dummy Only



Dummy pushbar with no latch mechanism but with either a single or dual monitor/signal switch. Most common application is in conjunction with a maglock where bar is used to turn off magnet and allow exit from building. Dual switch version allows redundancy where required by code or the operation of a signal device along with maglock. Specify door type and width when ordering. Available in all exit device finishes.

The 8099-00 is also available as a non-operating dummy for doors not requiring an exit device, but where matching trim is desired. Specify door type, opening width and finish to be matched.

ALARMED EXIT DEVICE



For all Adams Rite Exit Devices

This option emits a loud alarm to notify management of unauthorized exit. Will not alter the Life-Safety characteristics of the exit device in any way. Control of the alarm is by use of a key in any standard Mortise cylinder with MS® cam to arm, disarm, delay or reset the alarm. Red letters on the bar give a "hands off" warning to deter accidental actuation.

Battery Operated Alarm

Four AA alkaline batteries power a horn to create a piercing 95 decibel noise for two minutes (or until disarmed) when pushbar is depressed. Beeps to signal need for new batteries.

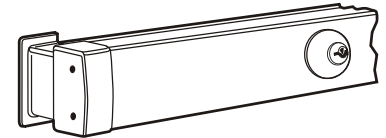
Hardwired Alarm

Can be connected to external horn for louder or remote signal. Remote monitor LED light can also be wired in, as can a door position proximity switch. Also accommodates an external delay switch, such as an outside key switch or pad, to allow authorized entry. Uses rechargeable nicad batteries connected to 12-24 Volt AC or DC source. Each bar has its own battery backup system.

Minimum opening width: 36"

CYLINDER DOGGING

For all non-fire rated Adams Rite Exit Devices

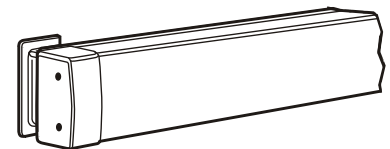


For management control of dogging. Any standard 15/16" to 1-1/8" long Mortise cylinder with MS® cam can be used in a pushbar prepared at factory with Cylinder Dogging kit. Cannot be used with Alarm, EL or LR options.

Specify by adding "C" after exit device model number.

ELECTRIC DOGGING

For all Adams Rite Exit Devices



The "ED" option uses a holding magnet to keep the pushbar depressed (set manually) and the latch retracted. This gives a lower profile exit device, resulting in less damage and quieter operation. All "ED" devices include an internal microswitch that signals when the bar is held in the depressed position, ideal for automatic door operators. On fire-rated devices, it must be wired through the fire alarm system. All devices operate at 24VDC, drawing .6 amp, allowing them to operate with a simple transformer and rectifier.

Note: Not to be used as access control element. Specify "LR" with access control devices such as card reader or keypads.

Specify by adding "ED" after exit device model number (ex. 8611ED36).