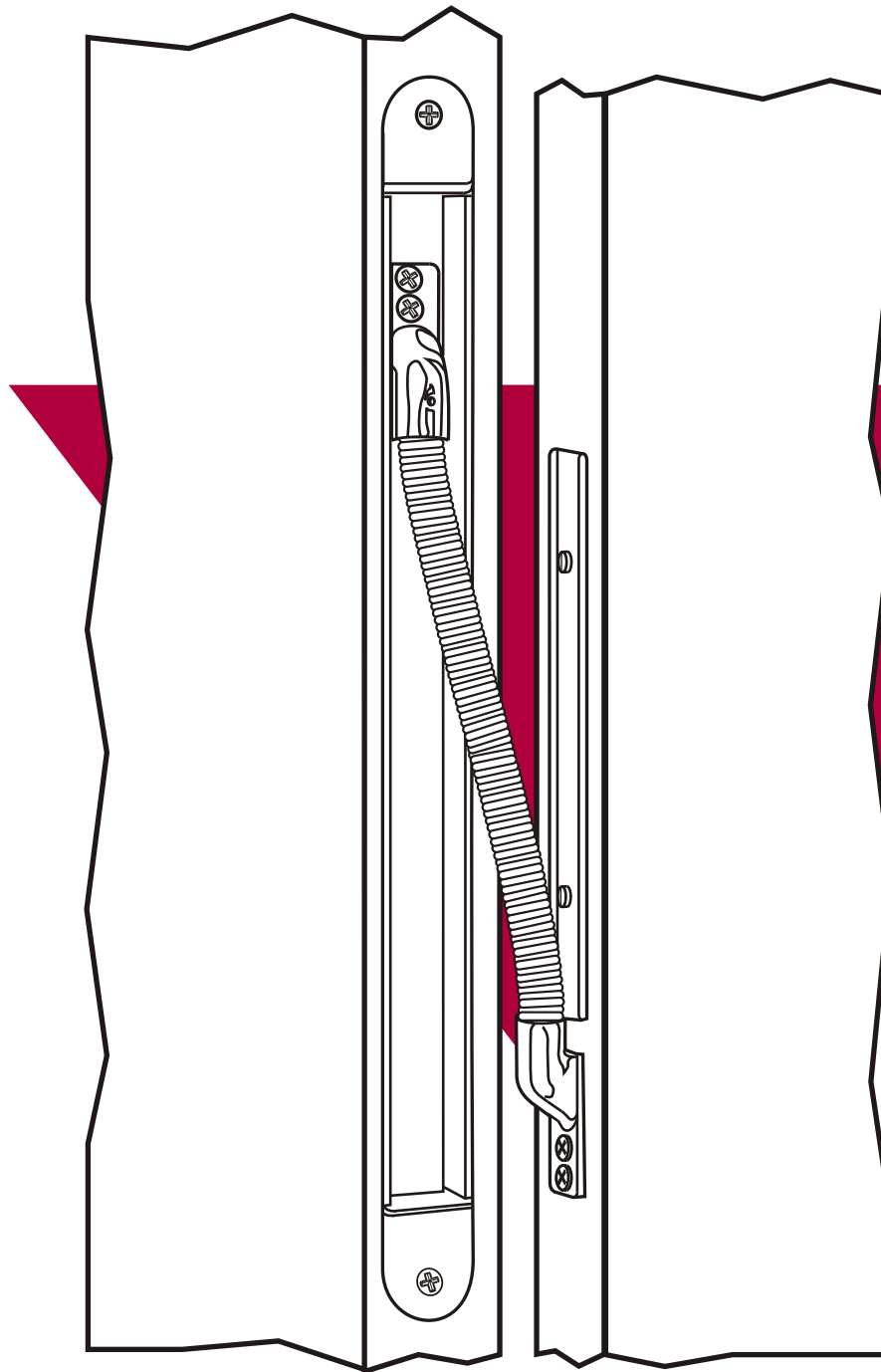


ACCESS CONTROL AND ACCESSORIES



AC-4

Wire Transfer 4612



LISTED

AMQV-Flexible Connector
for Burglary Protection
GVUX-Misc. Fire Door
Accessories

▼ Conduit

Spring steel helix has internal diameter of approximately 5/16". This provides ample room for multiple wires of the low voltage type used with most electrical hardware.

▼ Housing

Stamped steel, approximately 1/16" thick. Short (105 degree swing) version shown is 11-1/2" long. 180 degree version is 20-5/32" long. Chrome finish.

▼ Function

Provides a secure and unobtrusive means of channeling electrical wiring from the door frame into the door itself, for powering electric strikes, locks, exit bars, etc. Suitable for any door hung with butt-type hinges, including continuous or pivots offset 3/4" or less. (Not compatible with center-pivot doors.)

▼ Case-Knife Guard

Particularly for out-swinging doors, a steel barrier fence offers extra protection against attack on the conduit by knives, shims or other tools. Completely hidden when door is closed.

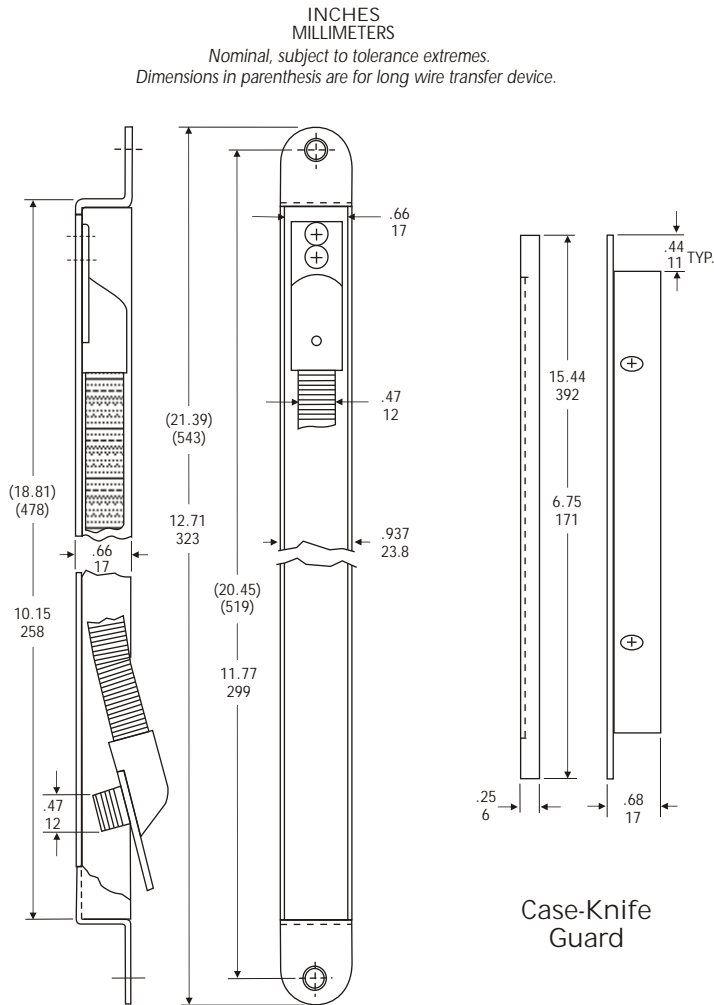


260 Santa Fe Street
Pomona, California 91767
(800) 872-3267 Fax:(800) 232-7329
www.adamsrite.com

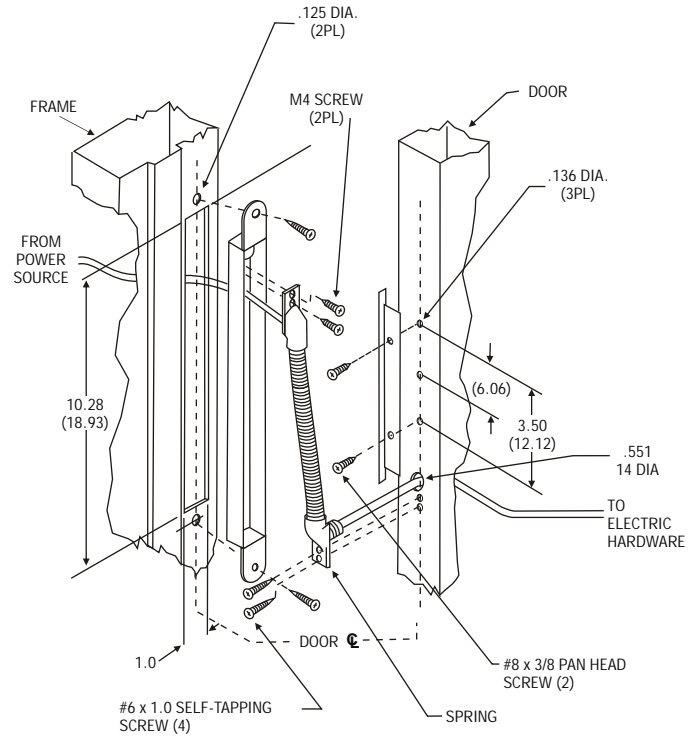


4612 Wire Transfer

DIMENSIONS



INSTALLATION



Door & Frame Prep

1. Dimensions in parenthesis are for long wire transfer device (180°) only.
2. For wood frame the rectangular cutout is 11/16" deep minimum.
3. Transfer is designed to protect the wire. Care should also be taken when inserting wires through this device.
4. Only stranded wires to be employed.
5. Size and number of wires must comply with the National Electric Code, NFPA and local authorities having jurisdiction. Wire size shall be at least 22 gauge.
6. This device is intended for low voltage use only (30 VAC, 42.5 VDC, 10 W max.).
7. Wire should be labeled, appliance wiring material with minimum 1/32" thick insulation.

HOW TO ORDER

Specify quantity and the following information.

Door Swing
 1 105°
 2 180°

4612 - 1

OPTIONS

Available for application in aluminum, hollow steel or wood door and frames. Standard (short) version suits doors that swing up to 105 degrees. A longer version is available for doors that open 180 degrees. Swing Clear option is also available.

ELX-ElectroLynx™ Adapter - Connects Adams Rite electrified products to ElectroLynx system.

STANDARD PACKAGE

Individually boxed with fasteners as required for each application type: wood, steel or aluminum. Shipping weight approximately 1lb.