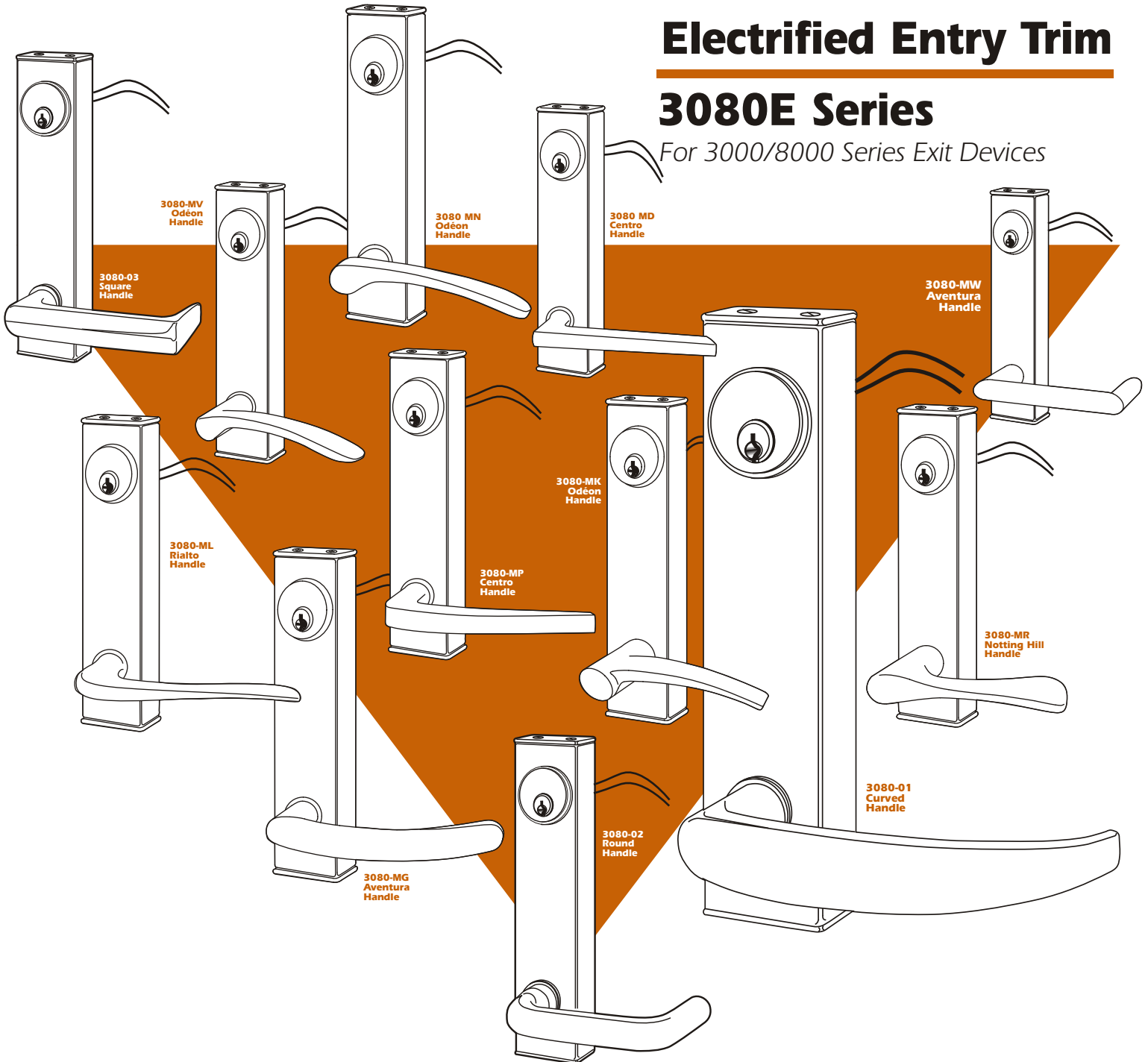


Electrified Entry Trim

3080E Series

For 3000/8000 Series Exit Devices



3080 Series Electrified Entry Trim

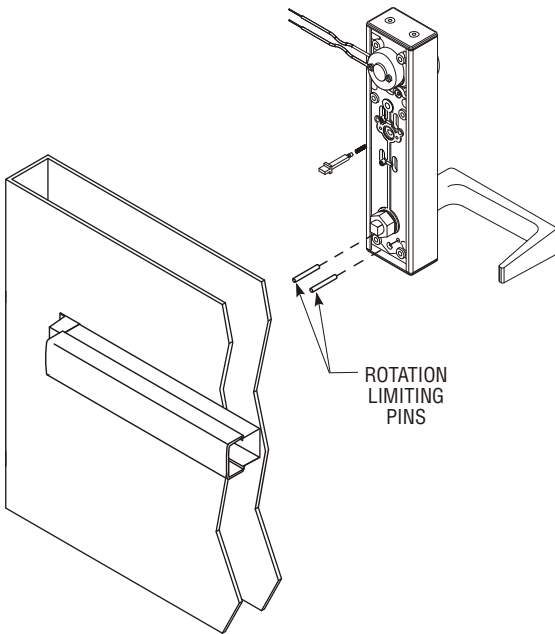
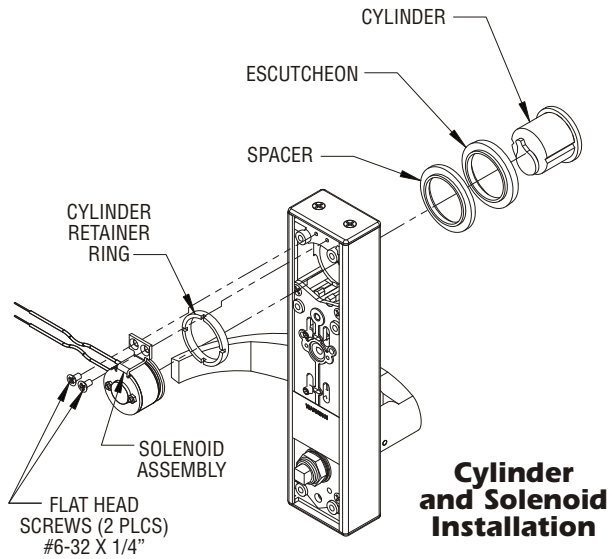
The 3080E Series provides outside activation of doors that have any type of Adams Rite Exit Device. Breakaway clutching mechanism protects the locked handle from vandalism or forced entry, in either direction. All models share the same core components, so handles can be changed without

having to replace the entire trim. Solid construction meets Grade 1 standards. A continuous duty solenoid mounted to the trim enables remote activation of the locking function without unlatching the door, making this trim ideal for stairwell and fire doors.



Entry Trim

INSTALLATION



Door Preparation and Trim Installation

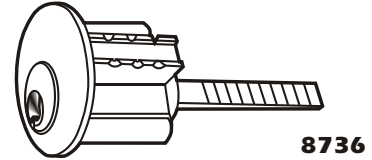
Door prep and installation will differ depending on type of exit device being used. Refer to Adams Rite Templates for 3080 Series Entry Trim preparation details.

OPTIONS

Can be ordered with or without a hole for cylinder. Order standard mortise cylinder with MS cam separately. Order 4603 Rectifier, 4605/4606 Transformer or PS-1 Power Supply separately.

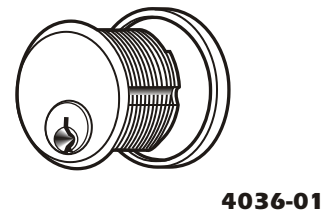
CYLINDERS

Rim Cylinder



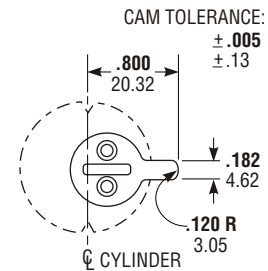
Standard five-pin unit with spindle to suit Surface Vertical Rod exit devices. All brass with same choices of keying as Mortise cylinder. Available in finishes 628, 313 or 335. Any other make standard Rim cylinder can be used to key in with existing systems. Note that if entry trim is specified for cylinder use, the cylinder must be Mortise type, regardless of exit device.

Mortise Cylinder



Standard diameter five-pin unit with MS[®] cam, suitable for use with Entry Trim. All brass construction with front "scalp" available in finishes 628, 313 and 335. Available in quantity all keyed different (KD), in pairs (KA2) or fifty alike (KA50). Any other make standard Mortise cylinder with MS cam can be used to "key in" with existing systems.

Cylinder Cam

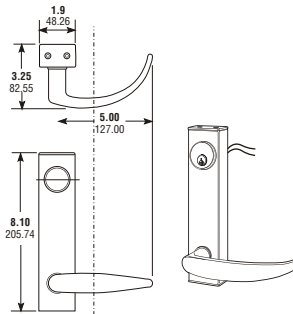


3080E Series Entry Trim accept any standard 1-5/32" diameter mortise cylinder with special MS[®] cam dimensioned as shown. Cylinders with MS[®] cams can be readily obtained from most cylinder manufacturers. See page SW-33 for cylinder make and trim ring information.

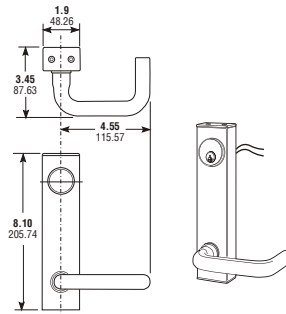
Entry Trim

DIMENSIONS

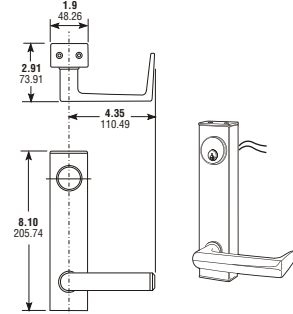
INCHES
MILLIMETERS



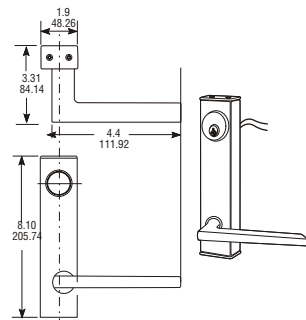
3080-01
Curved Handle



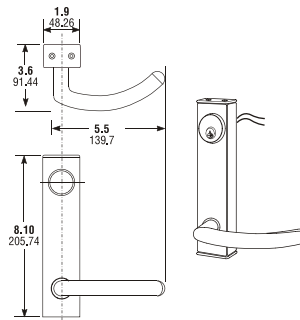
3080-02
Round Handle



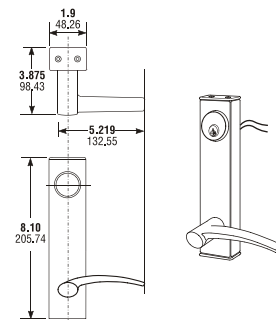
3080-03
Square Handle



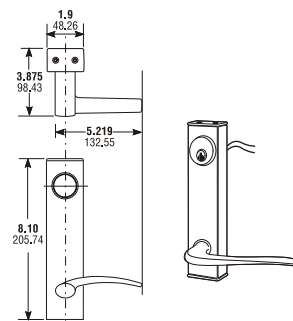
3080-MD
Centro Handle



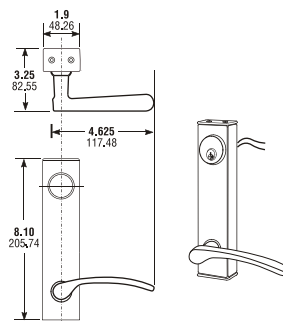
3080-MG
Aventura Handle



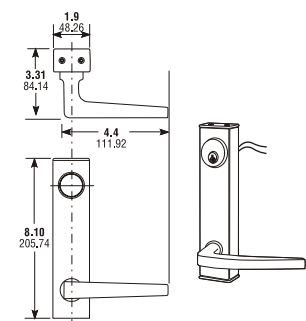
3080-MK
Odéon Handle



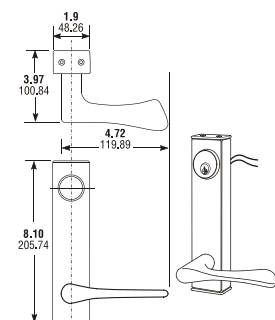
3080-ML
Rialto Handle



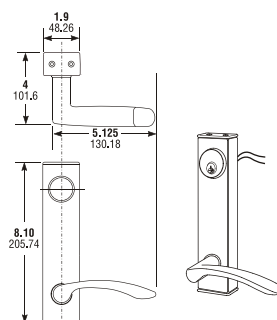
3080-MN
Odéon Handle



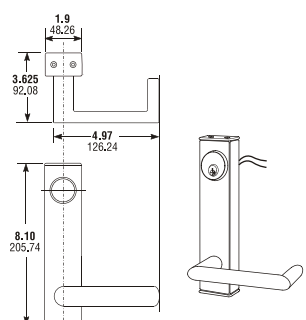
3080-MP
Centro Handle



3080-MR
Notting Hill Handle



3080-MV
Odéon Handle

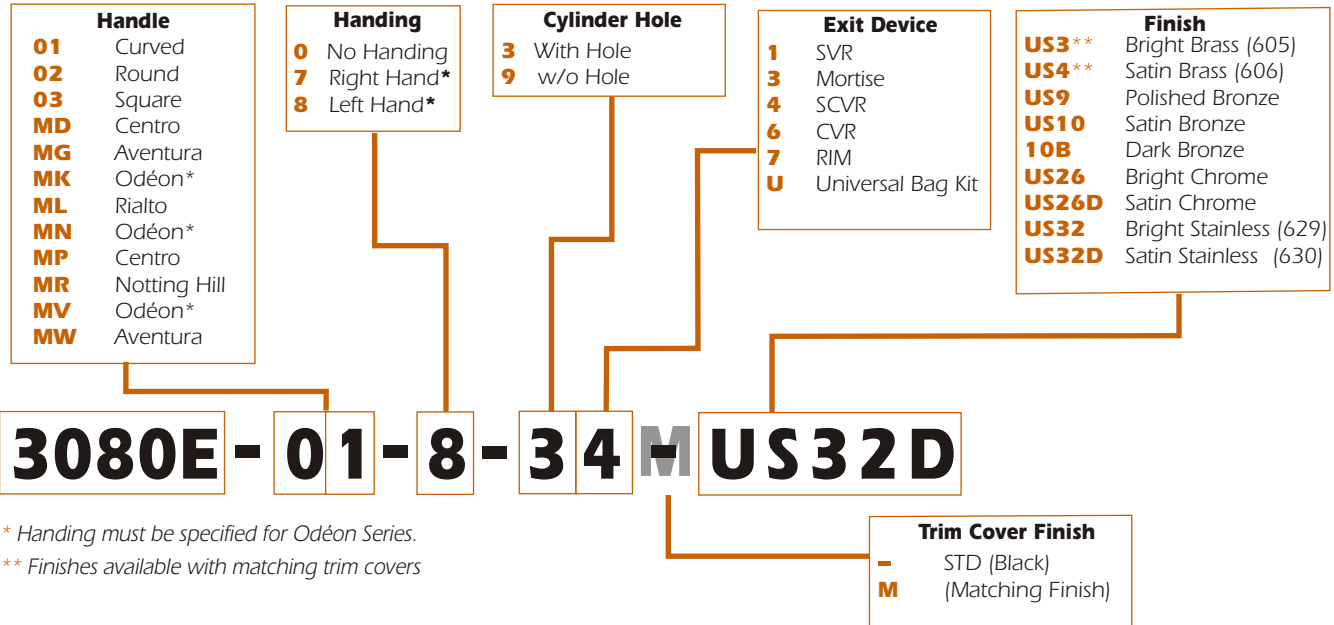


3080-MW
Aventura Handle



ENTRY TRIM

Entry Trim Ordering Matrix



* Handing must be specified for Odéon Series.

** Finishes available with matching trim covers