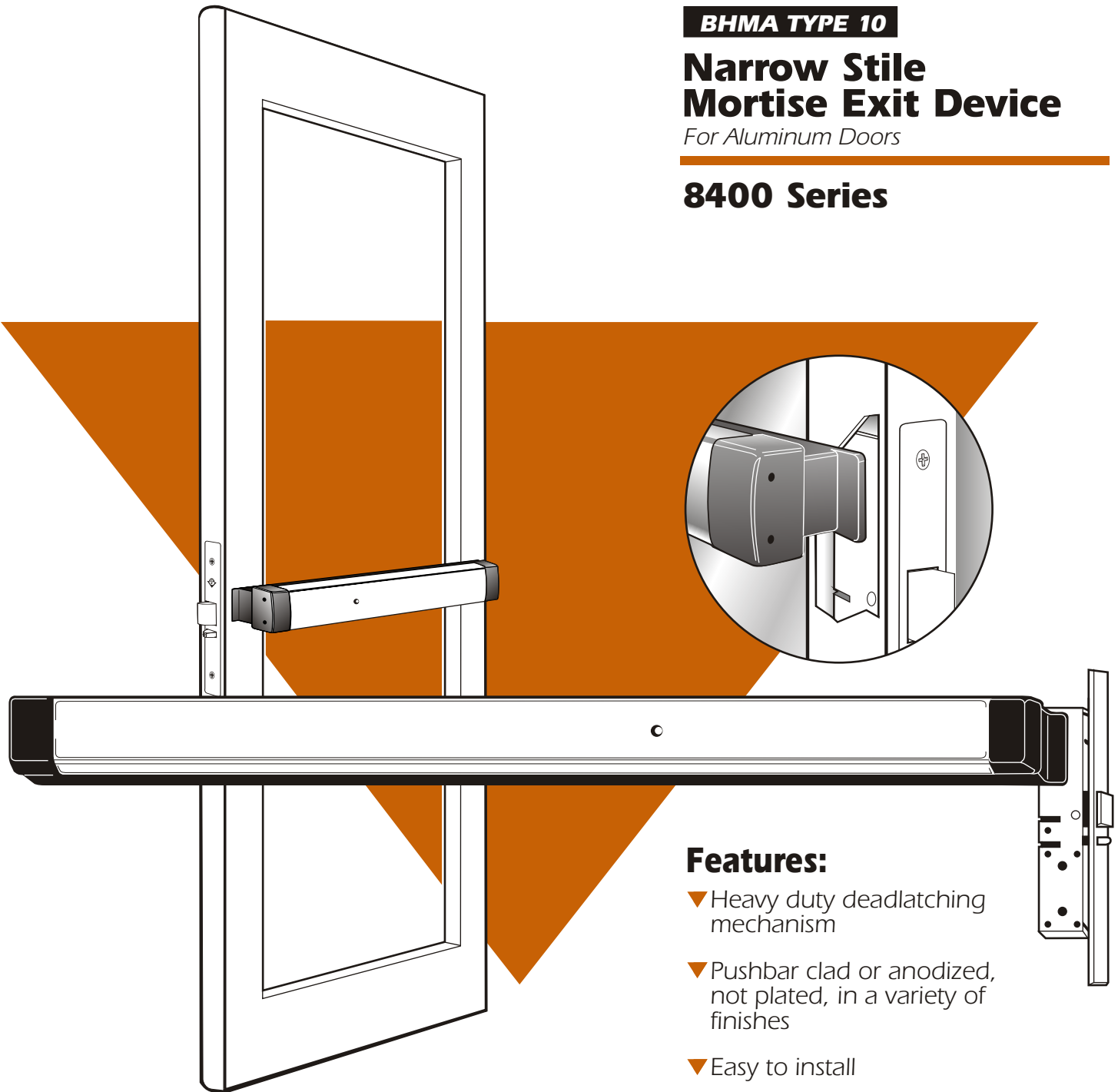


BHMA TYPE 10

Narrow Stile Mortise Exit Device

For Aluminum Doors

8400 Series



CERTIFICATIONS:
UL Life-Safety Listing
ANSI/BHMA A156.3 Grade 1
California State Fire Marshall
New York City MEA*
*Consult factory for specific number

Features:

- ▼ Heavy duty deadlatching mechanism
- ▼ Pushbar clad or anodized, not plated, in a variety of finishes
- ▼ Easy to install
- ▼ Clean, unobtrusive design
- ▼ Strong, durable construction for a high level of security



Features & Dimensions

Narrow Stile Mortise Exit Device

ANSI/BHMA
Grade 1

Handing
Specify handing and bevel if applicable.
Lever Entry Trim is field reversible.

Pushbar Length
Standard Sizes: Dimensioned for 30", 36", 42" & 48" openings. Standard width bars can be field cut to the next smallest opening width. Backsets available in 31/32", 1-1/8", 1-1/2".

Door Thickness
Suits 1-3/4" standard. Can be modified for thicker doors.

Stile Width
Minimum 2" Stile. Fits Narrow, Medium and Wide Stile aluminum doors.

Projection
2-5/8" when fully projected,
1-5/8" when dogged.

Materials
Pushbar made of extruded aluminum, clad or anodized in a variety of finishes.

Dogging
Standard dogging with hex key or cylinder dogging option. Electric dogging also available.

Fasteners
Standard self-tapping screws.

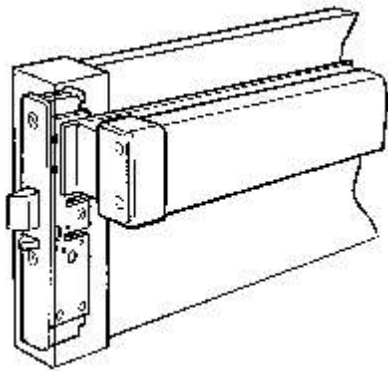
Strike
Made of stainless steel. Supplied with exit device. See Strike options below.

Cylinders (order separately)
Cylinder x Fixed Pull:
(Function 03)
Accepts any standard Mortise cylinder. Entry Lever or Thumbturn:
(Functions 08, 09, 11, 12)
Accepts any standard diameter Mortise cylinder with MS® cam. Accommodates cylinder lengths from 1" to 1-1/4".

Warranty
Five year limited.

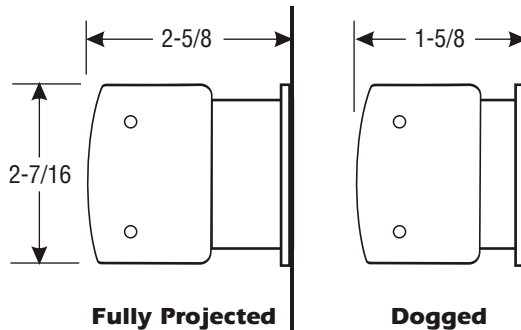
AVAILABLE FINISHES	
313	Dark Bronze Anodized
335	Black Anodized
628	Clear Anodized
US3	Bright Brass
US4	Satin Brass
US9	Bright Bronze
US10	Satin Bronze
10B	Dark Bronze (Trim only)
US32	Bright Stainless
US32D	Satin Stainless

Consult factory for special finishes.



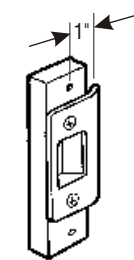
8400
The 8400 was designed to fit standard cutout used for the Adams Rite MS® Deadbolt on aluminum stile glass doors. Backsets available: 31/32", 1-1/8" & 1-1/2".

Pushbar Dimensions

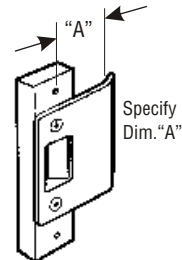


Strikes

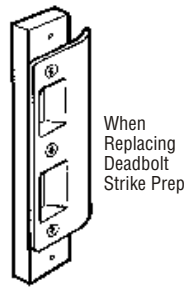
A variety of strikes are available for different applications and conditions.



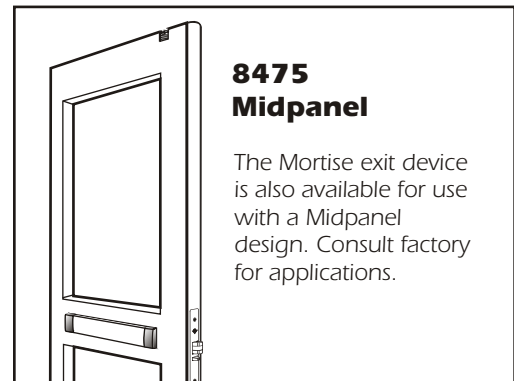
Standard Strike (Included)



Extended Lip 8460-17 (Optional)



Longface 8455-01 (Optional)



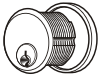
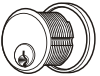
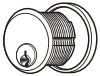


8475 Midpanel

The Mortise exit device is also available for use with a Midpanel design. Consult factory for applications.

Trim & Function

Narrow Stile Mortise Exit Device

ANSI/BHMA Functions:

01	02	03	08	09	11	12	14
EXIT ONLY- NO TRIM	PULL ONLY WHEN DOGGED FIXED PULLS BY OTHERS	KEY RETRACTS LATCHBOLT NL FIXED PULLS BY OTHERS	KEY LOCKS LEVER	KEY LOCKS LEVER NL	KEY LOCKS THUMBTURN	KEY LOCKS THUMBTURN NL	PASSAGE SET
CYLINDER TYPE							
N/A	N/A	MORTISE 	MORTISE 	MORTISE 	MORTISE 	MORTISE 	N/A

NL – Night Latch

Please see page ED-10 for Pulls and Entry Trim, plus Entry Trim Ordering Matrix.

Thick and Cladded Door Kits

- 91-0995-02* – 2" Thick Door Kit
- 91-0995-03* – 2-1/4" Thick Door Kit
- 91-0995-04* – 2-1/2" Thick Door Kit
- 91-0995-05* – 2-3/4" Thick Door Kit

- 91-0995-06* – 3" Thick Door Kit
- 91-0325-01 – Thermal Door Kit - 1/4" Cladding
- 91-0325-02 – Thermal Door Kit - 1/2" Cladding
- * Order 8460-xx Long Lip Strike as required

Ordering Matrix

8400 Series - Life Safety for Aluminum/Glass Doors

8475 Mid-Panel For Aluminum/Glass Doors

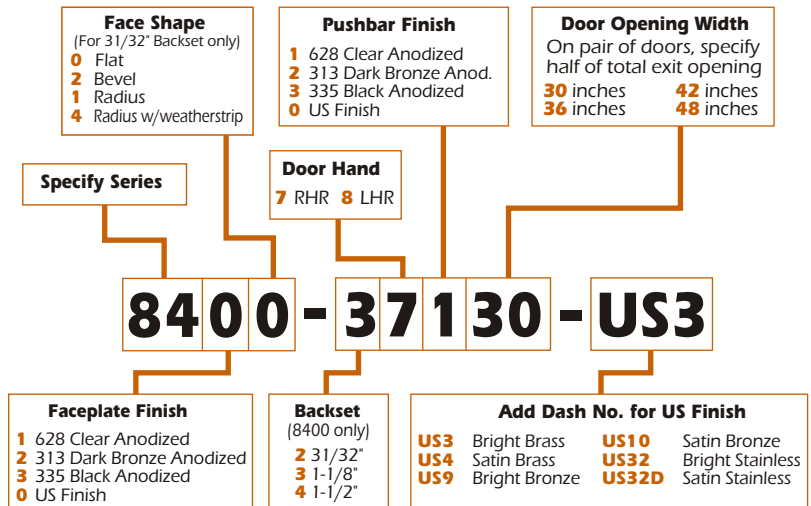
Backset for 8400 is variable.

8400/8475 1-1/8" - 1-1/2" backsets include faceplates to cover flat, bevel and radius applications.



8400

8475



If required, specify cylinder and other trim separately

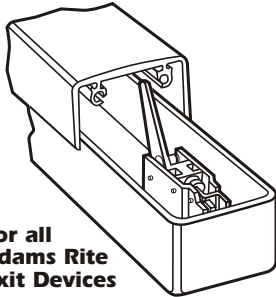


Options & Accessories

Narrow Stile Mortise Exit Device

Order by adding suffix to Exit Device in place of hyphen or by separate model number.

MONITOR/SIGNAL SWITCH



For all Adams Rite Exit Devices

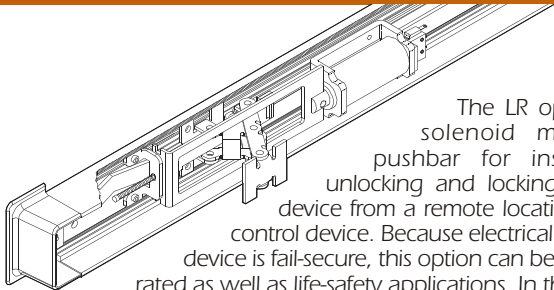
- M1 - Single Switch**
- M2 - Dual Switch**

A switch in the exit device pushbar mounted on the hinge end. Switch can be used to activate signal light, horn, monitor or other devices. Most common application is to release maglock when pushbar is depressed. Switch can be wired for normally open or normally closed depending upon application. Can be retrofit in field to existing exit device. Dual switch version offers redundancy as required by some building codes or the option of operating a second signaling device.

Specify by adding "M1" or "M2" after exit device model number.

Monitor Kits for upgrading any 3000 or 8000 Series device:
91-0897-01 - Single Switch 91-0897-02 - Dual Switch

ELECTRIC LATCH RETRACTION



The LR option uses a solenoid mounted in pushbar for instantaneous unlocking and locking of the exit device from a remote location or access control device. Because electrical operation of device is fail-secure, this option can be used on fire-rated as well as life-safety applications. In the event of a power failure device automatically relatches. Requires the use of PS-LR Power Supply, which will power two exit devices. (Using an alternate to the PS-LR Power Supply will void warranty).

Specify by adding "LR" after exit device model number. Order PS-LR Power Supply separately. Order Battery Backup Kit separately (BBK-LR).

Solenoid Specifications:

16 Amps Inrush/.5 Amps Hold
Solenoids are rated for both intermittent and continuous operation.
Also see 4612 Power Transfer.

MONITORED DUMMY PUSHBAR

- 8099M1 - Single Switch**
- 8099M2 - Dual Switch**
- 8099-00 - Dummy Only**



Dummy pushbar with no latch mechanism but with either a single or dual monitor/signal switch. Most common application is in conjunction with a maglock where bar is used to turn off magnet and allow exit from building. Dual switch version allows redundancy where required by code or the operation of a signal device along with maglock. Specify door type and width when ordering. Available in all exit device finishes.

The 8099-00 is also available as a non-operating dummy for doors not requiring an exit device, but where matching trim is desired. Specify door type, opening width and finish to be matched.

ALARMED EXIT DEVICE



For all Adams Rite Exit Devices

This option emits a loud alarm to notify management of unauthorized exit. Will not alter the Life-Safety characteristics of the exit device in any way. Control of the alarm is by use of a key in any standard Mortise cylinder with MS® cam to arm, disarm, delay or reset the alarm. Red letters on the bar give a "hands off" warning to deter accidental actuation.

Battery Operated Alarm

Four AA alkaline batteries power a horn to create a piercing 95 decibel noise for two minutes (or until disarmed) when pushbar is depressed. Beeps to signal need for new batteries.

Hardwired Alarm

Can be connected to external horn for louder or remote signal. Remote monitor LED light can also be wired in, as can a door position proximity switch. Also accommodates an external delay switch, such as an outside key switch or pad, to allow authorized entry. Uses rechargeable nicad batteries connected to 12-24 Volt AC or DC source. Each bar has its own battery backup system.

Minimum opening width: 36"

CYLINDER DOGGING

For all non-fire rated Adams Rite Exit Devices

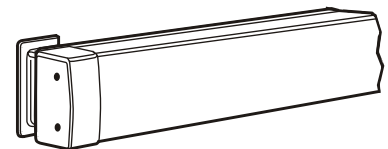


For management control of dogging. Any standard 15/16" to 1-1/8" long Mortise cylinder with MS® cam can be used in a pushbar prepared at factory with Cylinder Dogging kit. Cannot be used with Alarm, EL or LR options.

Specify by adding "C" after exit device model number.

ELECTRIC DOGGING

For all Adams Rite Exit Devices



The "ED" option uses a holding magnet to keep the pushbar depressed (set manually) and the latch retracted. This gives a lower profile exit device, resulting in less damage and quieter operation. All "ED" devices include an internal microswitch that signals when the bar is held in the depressed position, ideal for automatic door operators. On fire-rated devices, it must be wired through the fire alarm system. All devices operate at 24VDC, drawing .6 amp, allowing them to operate with a simple transformer and rectifier.

Note: Not to be used as access control element. Specify "LR" with access control devices such as card reader or keypads.

Specify by adding "ED" after exit device model number (ex. 8611ED36).