

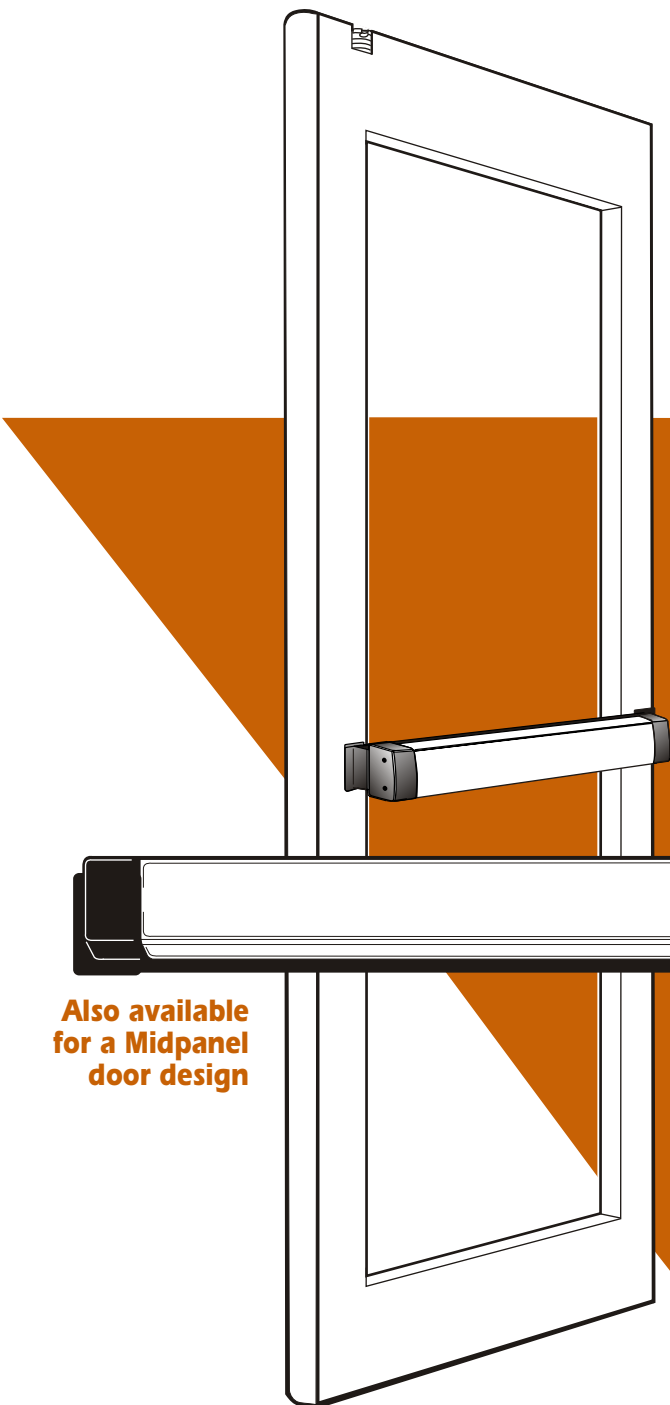
## BHMA TYPE 6

# Narrow Stile Concealed Vertical Rod Exit Device

For Aluminum Doors

## 8600 Series

LIFE-SAFETY



Also available  
for a Midpanel  
door design

### CERTIFICATIONS:

Life-Safety Listing  
ANSI/BHMA A156.3 Grade 1  
California State Fire Marshall  
New York City MEA\*

\*Consult factory for specific number

### Features:

- ▼ Patented top latching mechanism interlocks door to frame
- ▼ Top and bottom adjustable steel rods
- ▼ Pushbar anodized or clad, not plated, in a variety of finishes
- ▼ Easy to install
- ▼ Clean, unobtrusive design
- ▼ Strong, durable construction for a high level of security





# Features & Dimensions

## Narrow Stile Concealed Vertical Rod Exit Device

### ANSI/BHMA Grade 1

### Handing

Device is non-handed. Lever Entry Trim is field reversible.

### Pushbar Length

Standard Sizes: Dimensioned for 30", 36", 42" & 48" openings. Standard width bars can be field cut to the next smallest opening width.

### Projection

2-5/8" when fully projected, 1-5/8" when dogged.

### Door Thickness

Suits 1-3/4" standard, up to 2-1/4". Device requires modification when used with cylinder in doors over 1-3/4".

### Stile Wall

Doors with stile walls other than 1/8" require modification.

### Stile Width

Minimum 2" Stile. Fits Narrow, Medium and Wide Stile aluminum doors.

### Bar Height

Adjustable from 30" to 44".

### Door Height

Standard unit adjustable for doors up to 66" above the selected bar height. For doors over 66" above bar height, up to 10', use 8655 Tall Door Kit.

### Materials

Pushbar made of extruded aluminum, clad or anodized in a variety of finishes.

### Dogging

Standard dogging with hex key or optional cylinder dogging. Electric dogging available.

### Fasteners

Standard self-tapping screws.

### Strike

Made of hardened steel. Supplied.

### Cylinders (order separately)

#### Cylinder x Fixed Pull:

(Function 03)

Accepts any standard Mortise cylinder with MS® cam.

#### Entry Lever or Thumbturn:

(Functions 08, 09, 11, 12)

Accepts any standard diameter Mortise cylinder with MS® cam. Accommodates cylinder lengths from 1" to 1-1/4".

### Warranty

Five year limited.

### AVAILABLE FINISHES

**313** Dark Bronze Anodized

**335** Black Anodized

**628** Clear Anodized

**US3** Bright Brass

**US4** Satin Brass

**US9** Bright Bronze

**US10** Satin Bronze

**10B** Dark Bronze  
(Trim only)

**US32** Bright Stainless

**US32D** Satin Stainless

*Consult factory for special finishes.*



### Bolts and Strikes

The patented top latching mechanism utilizes a rotating Top Bolt which deadlatches around the Header Strike, interlocking the door to the frame.

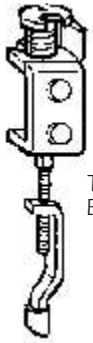
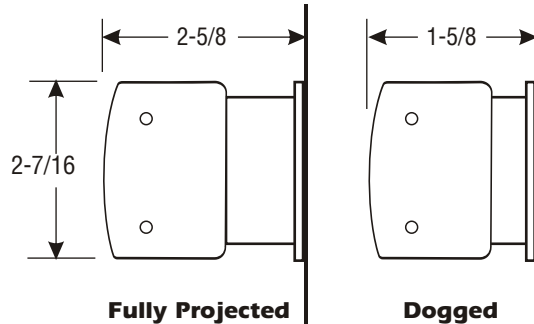
Supplied with Standard Header Strike.

The hexagonal, hardened steel Bottom Bolt works in harmony with the Top Bolt



Standard Strike

### Pushbar Dimensions



Top Bolt



Bottom Bolt

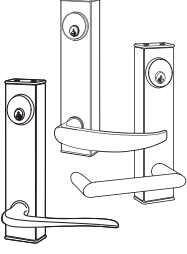
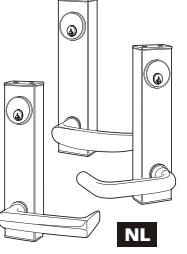
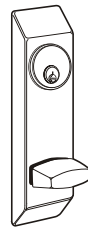
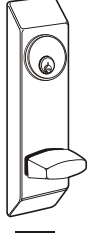
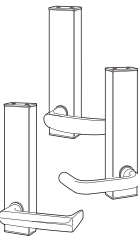

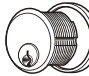


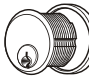
**8675 Midpanel**

The Concealed Vertical Rod exit device is also available for use with a Midpanel design. Consult factory for applications.

# Trim & Function

## Narrow Stile Concealed Vertical Rod Exit Device

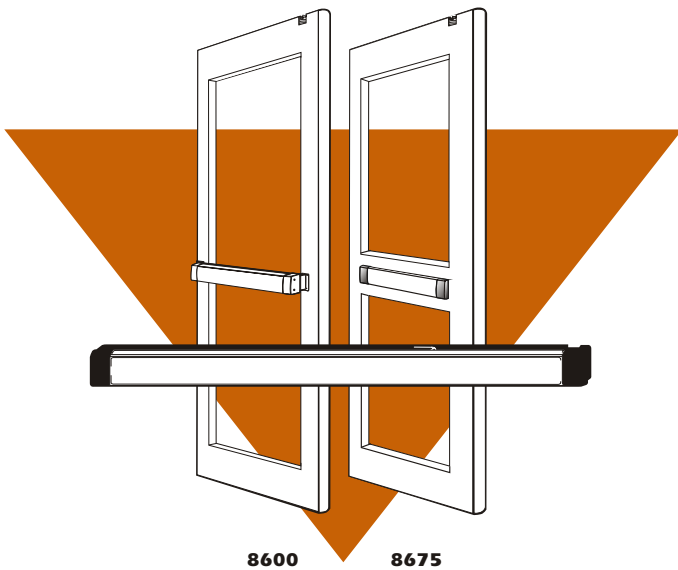
### ANSI/BHMA Functions:

01	02	03	08	09	11	12	14
EXIT ONLY- NO TRIM	PULL ONLY WHEN DOGGED  FIXED PULLS BY OTHERS	KEY RETRACTS LATCHBOLT  <b>NL</b> FIXED PULLS BY OTHERS	KEY LOCKS LEVER 	KEY LOCKS LEVER 	KEY LOCKS THUMBTURN 	KEY LOCKS THUMBTURN 	PASSAGE SET 
<b>CYLINDER TYPE</b>							
N/A	N/A	MORTISE 	MORTISE 	MORTISE 	MORTISE 	MORTISE 	N/A

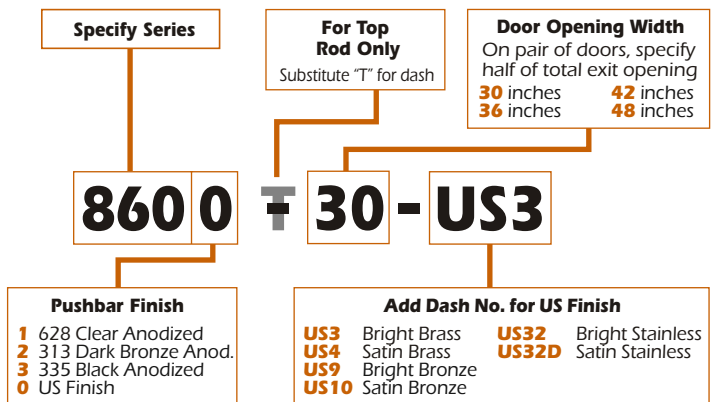
**NL** – Night Latch

Please see page ED-10 for Pulls and Entry Trim, plus Entry Trim Ordering Matrix.

# Ordering Matrix



### 8600 Series - Life-Safety for Aluminum/Glass Doors



Order 8650 escutcheon kit and cylinder separately if required.

For doors up to 10 feet tall specify 8655.

If required, specify cylinder and other trim separately

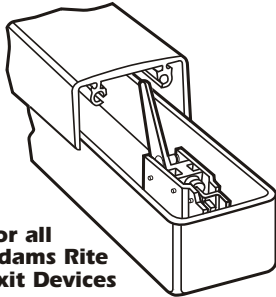


# Options & Accessories

## Narrow Stile Concealed Vertical Rod Exit Device

Order by adding suffix to Exit Device in place of hyphen or by separate model number.

### MONITOR/SIGNAL SWITCH



For all Adams Rite Exit Devices

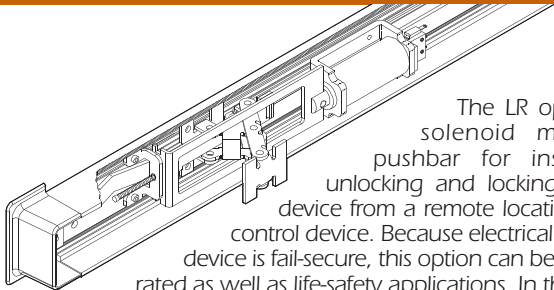
- M1 - Single Switch**
- M2 - Dual Switch**

A switch in the exit device pushbar mounted on the hinge end. Switch can be used to activate signal light, horn, monitor or other devices. Most common application is to release maglock when pushbar is depressed. Switch can be wired for normally open or normally closed depending upon application. Can be retrofit in field to existing exit device. Dual switch version offers redundancy as required by some building codes or the option of operating a second signaling device.

Specify by adding "M1" or "M2" after exit device model number.

Monitor Kits for upgrading any 3000 or 8000 Series device:  
91-0897-01 - Single Switch      91-0897-02 - Dual Switch

### ELECTRIC LATCH RETRACTION



The LR option uses a solenoid mounted in pushbar for instantaneous unlocking and locking of the exit device from a remote location or access control device. Because electrical operation of device is fail-secure, this option can be used on fire-rated as well as life-safety applications. In the event of a power failure device automatically relatches. Requires the use of PS-LR Power Supply, which will power two exit devices. (Using an alternate to the PS-LR Power Supply will void warranty).

Specify by adding "LR" after exit device model number. Order PS-LR Power Supply separately. Order Battery Backup Kit separately (BBK-LR).

#### Solenoid Specifications:

16 Amps Inrush/.5 Amps Hold  
Solenoids are rated for both intermittent and continuous operation.  
Also see 4612 Power Transfer.

### MONITORED DUMMY PUSHBAR

- 8099M1 - Single Switch**
- 8099M2 - Dual Switch**
- 8099-00 - Dummy Only**



Dummy pushbar with no latch mechanism but with either a single or dual monitor/signal switch. Most common application is in conjunction with a maglock where bar is used to turn off magnet and allow exit from building. Dual switch version allows redundancy where required by code or the operation of a signal device along with maglock. Specify door type and width when ordering. Available in all exit device finishes.

The 8099-00 is also available as a non-operating dummy for doors not requiring an exit device, but where matching trim is desired. Specify door type, opening width and finish to be matched.

### ALARMED EXIT DEVICE



For all Adams Rite Exit Devices

This option emits a loud alarm to notify management of unauthorized exit. Will not alter the Life-Safety characteristics of the exit device in any way. Control of the alarm is by use of a key in any standard Mortise cylinder with MS® cam to arm, disarm, delay or reset the alarm. Red letters on the bar give a "hands off" warning to deter accidental actuation.

#### Battery Operated Alarm

Four AA alkaline batteries power a horn to create a piercing 95 decibel noise for two minutes (or until disarmed) when pushbar is depressed. Beeps to signal need for new batteries.

#### Hardwired Alarm

Can be connected to external horn for louder or remote signal. Remote monitor LED light can also be wired in, as can a door position proximity switch. Also accommodates an external delay switch, such as an outside key switch or pad, to allow authorized entry. Uses rechargeable nicad batteries connected to 12-24 Volt AC or DC source. Each bar has its own battery backup system.

Minimum opening width: 36"

### CYLINDER DOGGING

For all non-fire rated Adams Rite Exit Devices

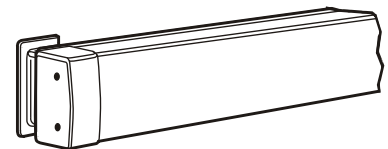


For management control of dogging. Any standard 15/16" to 1-1/8" long Mortise cylinder with MS® cam can be used in a pushbar prepared at factory with Cylinder Dogging kit. Cannot be used with Alarm, EL or LR options.

Specify by adding "C" after exit device model number.

### ELECTRIC DOGGING

For all Adams Rite Exit Devices



The "ED" option uses a holding magnet to keep the pushbar depressed (set manually) and the latch retracted. This gives a lower profile exit device, resulting in less damage and quieter operation. All "ED" devices include an internal microswitch that signals when the bar is held in the depressed position, ideal for automatic door operators. On fire-rated devices, it must be wired through the fire alarm system. All devices operate at 24VDC, drawing .6 amp, allowing them to operate with a simple transformer and rectifier.

Note: Not to be used as access control element. Specify "LR" with access control devices such as card reader or keypads.

Specify by adding "ED" after exit device model number (ex. 8611ED36).