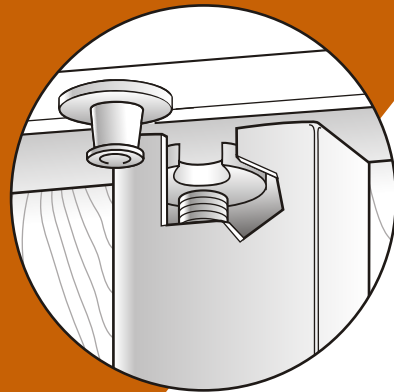
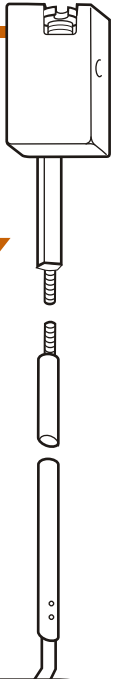


BHMA TYPE 7

Wood Door Concealed Vertical Rod Exit Device

3900 Series 
FIRE-RATED

8900 Series
LIFE-SAFETY



Features:

- ▼ Patented top latching mechanism interlocks door to frame
- ▼ Innovative Top Rod Only design makes preparation easier and reduces maintenance
- ▼ Pushbar anodized or clad, not plated, in a variety of finishes
- ▼ Strong, durable construction
- ▼ Standard device accommodates doors up to 8 ft.

CERTIFICATIONS:

8900 SERIES:

Warnock Hersey Life Safety Listing
ANSI/BHMA A156.3 Grade 1
California State Fire Marshall
New York City MEA*

*Consult factory for specific number

3900 SERIES:

 California State Fire Marshall
New York City MEA*
Warnock/Hersey Listing for
Fire Doors up to 9 Feet. **

**See Chart on next page for rating



Features & Dimensions

Wood Door Concealed Vertical Rod Exit Device

ANSI/BHMA

Grade 1

Handing

Device is non-handed. Lever Entry Trim is field reversible.

Pushbar Length

Standard Sizes: Dimensioned for 30", 36", 42" & 48" openings. Standard width bars can be field cut to the next smallest opening width.

Door Thickness

Suits 1-3/4" standard.

Projection

2-5/8" when fully projected, 1-5/8" when dogged.

Dogging

Standard dogging with hex key or optional cylinder dogging for 8900 Series only. Electric dogging also available for 3900 and 8900 Series.

Materials

Pushbar made of extruded aluminum, clad or anodized in a variety of finishes.

Fasteners

Standard self-tapping screws. Optional Sex Bolt Kits-26-0584 (2 required per device) Specify finish.

Strike

Made of hardened steel. Supplied with exit device.

Entry Lever:

(Functions 08, 09) Accepts any standard diameter Mortise cylinder with MS® cam. Accommodates cylinder lengths from 1" to 1-1/4".

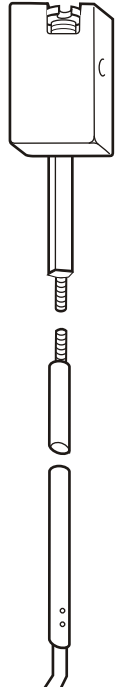
Warranty

Five year limited.

AVAILABLE FINISHES

- 313** Dark Bronze Anodized
- 335** Black Anodized
- 628** Clear Anodized
- US3** Bright Brass
- US4** Satin Brass
- US9** Bright Bronze
- US10** Satin Bronze
- 10B** Dark Bronze (Trim only)
- US32** Bright Stainless
- US32D** Satin Stainless

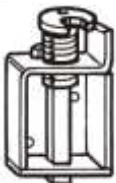
Consult factory for special finishes.



Bolt and Strikes

The patented top latching mechanism utilizes a rotating Top Bolt which deadlatches around the Header Strike, interlocking the door to the frame.

Supplied with Standard Header Strike. For wood frames, an additional plate is supplied for securing the Header Strike.



Top Bolt



Top Strike

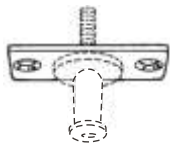
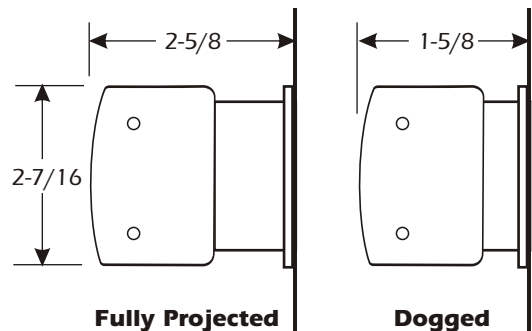


Plate for use with wood frames is furnished with 8900

Pushbar Dimensions

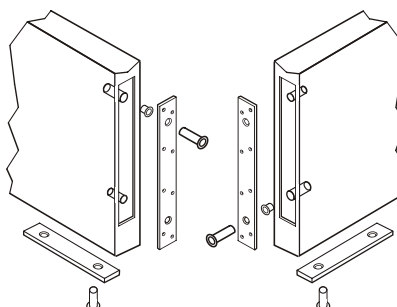


Fire Rating:

MODEL	TYPE	RATING	DOOR CONSTR.	MAX. SIZE SINGLE DOORS	MAX. SIZE PAIRS, DBL. EGRESS
3900	CVR-TRO	1-1/2 Hr.	Hollow Metal or Wood*	4'0" x 9'0" (Wood Door only)	8'0" x 9'0"

* Consult door manufacturer for available ratings.

Fusible Link Fire Pins



For 20-min. Fire Doors, no Fire Pins are required.

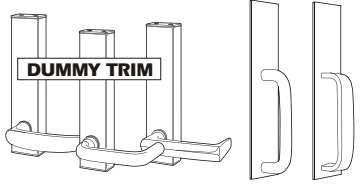
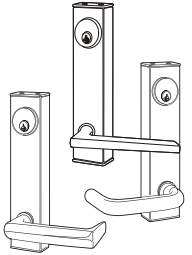
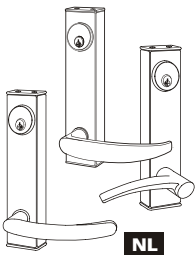
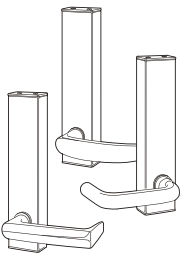


For 45-min. Fire Doors, Fusible Link Fire Pins are installed horizontally. One Fire Pin per door.

For 60 and 90-min. Fire Doors, Fusible Link Fire Pins are installed vertically. One Fire Pin per door.

Trim & Function

Wood Door Concealed Vertical Rod Exit Device

ANSI/BHMA Functions:

01	02	08	09	14
EXIT ONLY- NO TRIM	<p>PULL ONLY WHEN DOGGED</p>  <p>DUMMY TRIM</p> <p>FOR 8900 OR 3900 WITH ELECTRIC DOGGING</p>	<p>KEY LOCKS LEVER</p> 	<p>KEY LOCKS LEVER</p>  <p>NL</p>	<p>PASSAGE SET</p> 
CYLINDER TYPE				
N/A	N/A	<p>MORTISE</p> 	<p>MORTISE</p> 	N/A

NL – Night Latch

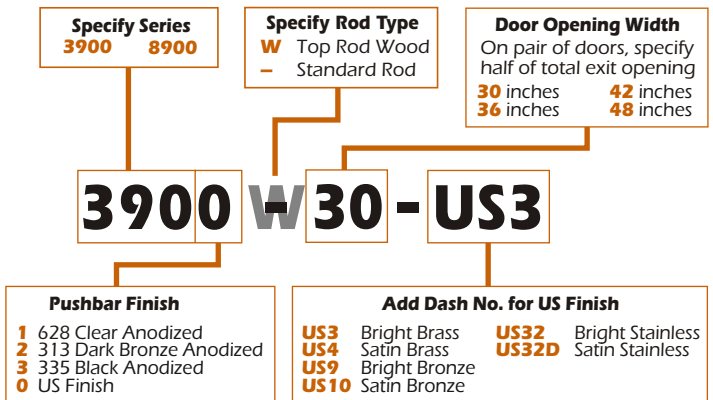
Please see page ED-10 for Pulls and Entry Trim, plus Entry Trim Ordering Matrix.

Ordering Matrix



3900/8900

3900 Series - Fire Rated for Wood Doors - Top Rod Only
8900 Series - Life-Safety for Wood Doors - Top Rod Only



For doors up to 10 feet tall specify 8955-01(8900).

If required, specify cylinder and other trim separately

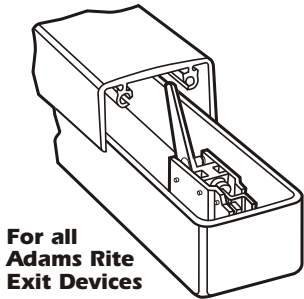


Options & Accessories

Wood Door Concealed Vertical Rod Exit Device

Order by adding suffix to Exit Device in place of hyphen or by separate model number.

MONITOR/SIGNAL SWITCH



For all Adams Rite Exit Devices

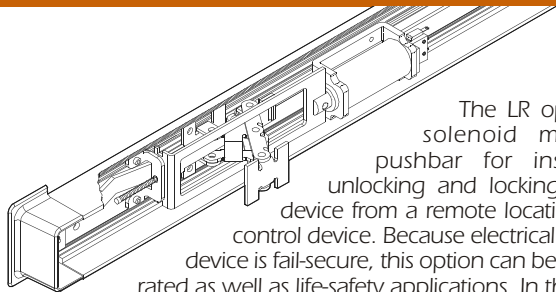
- M1 - Single Switch**
- M2 - Dual Switch**

A switch in the exit device pushbar mounted on the hinge end. Switch can be used to activate signal light, horn, monitor or other devices. Most common application is to release maglock when pushbar is depressed. Switch can be wired for normally open or normally closed depending upon application. Can be retrofit in field to existing exit device. Dual switch version offers redundancy as required by some building codes or the option of operating a second signaling device.

Specify by adding "M1" or "M2" after exit device model number.

Monitor Kits for upgrading any 3000 or 8000 Series device:
91-0897-01 - Single Switch 91-0897-02 - Dual Switch

ELECTRIC LATCH RETRACTION



The LR option uses a solenoid mounted in pushbar for instantaneous unlocking and locking of the exit device from a remote location or access control device. Because electrical operation of device is fail-secure, this option can be used on fire-rated as well as life-safety applications. In the event of a power failure device automatically relatches. Requires the use of PS-LR Power Supply, which will power two exit devices. (Using an alternate to the PS-LR Power Supply will void warranty).

Specify by adding "LR" after exit device model number. Order PS-LR Power Supply separately. Order Battery Backup Kit separately (BBK-LR).

Solenoid Specifications:

16 Amps Inrush/.5 Amps Hold
Solenoids are rated for both intermittent and continuous operation.
Also see 4612 Power Transfer.

MONITORED DUMMY PUSHBAR

- 8099M1 - Single Switch**
- 8099M2 - Dual Switch**
- 8099-00 - Dummy Only**



Dummy pushbar with no latch mechanism but with either a single or dual monitor/signal switch. Most common application is in conjunction with a maglock where bar is used to turn off magnet and allow exit from building. Dual switch version allows redundancy where required by code or the operation of a signal device along with maglock. Specify door type and width when ordering. Available in all exit device finishes.

The 8099-00 is also available as a non-operating dummy for doors not requiring an exit device, but where matching trim is desired. Specify door type, opening width and finish to be matched.

ALARMED EXIT DEVICE



For all Adams Rite Exit Devices

This option emits a loud alarm to notify management of unauthorized exit. Will not alter the Life-Safety characteristics of the exit device in any way. Control of the alarm is by use of a key in any standard Mortise cylinder with MS® cam to arm, disarm, delay or reset the alarm. Red letters on the bar give a "hands off" warning to deter accidental actuation.

Battery Operated Alarm

Four AA alkaline batteries power a horn to create a piercing 95 decibel noise for two minutes (or until disarmed) when pushbar is depressed. Beeps to signal need for new batteries.

Hardwired Alarm

Can be connected to external horn for louder or remote signal. Remote monitor LED light can also be wired in, as can a door position proximity switch. Also accommodates an external delay switch, such as an outside key switch or pad, to allow authorized entry. Uses rechargeable nicad batteries connected to 12-24 Volt AC or DC source. Each bar has its own battery backup system.

Minimum opening width: 36"

CYLINDER DOGGING

For all non-fire rated Adams Rite Exit Devices

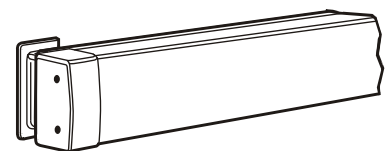


For management control of dogging. Any standard 15/16" to 1-1/8" long Mortise cylinder with MS® cam can be used in a pushbar prepared at factory with Cylinder Dogging kit. Cannot be used with Alarm, EL or LR options.

Specify by adding "C" after exit device model number.

ELECTRIC DOGGING

For all Adams Rite Exit Devices



The "ED" option uses a holding magnet to keep the pushbar depressed (set manually) and the latch retracted. This gives a lower profile exit device, resulting in less damage and quieter operation. All "ED" devices include an internal microswitch that signals when the bar is held in the depressed position, ideal for automatic door operators. On fire-rated devices, it must be wired through the fire alarm system. All devices operate at 24VDC, drawing .6 amp, allowing them to operate with a simple transformer and rectifier.

Note: Not to be used as access control element. Specify "LR" with access control devices such as card reader or keypads.

Specify by adding "ED" after exit device model number (ex. 8611ED36).