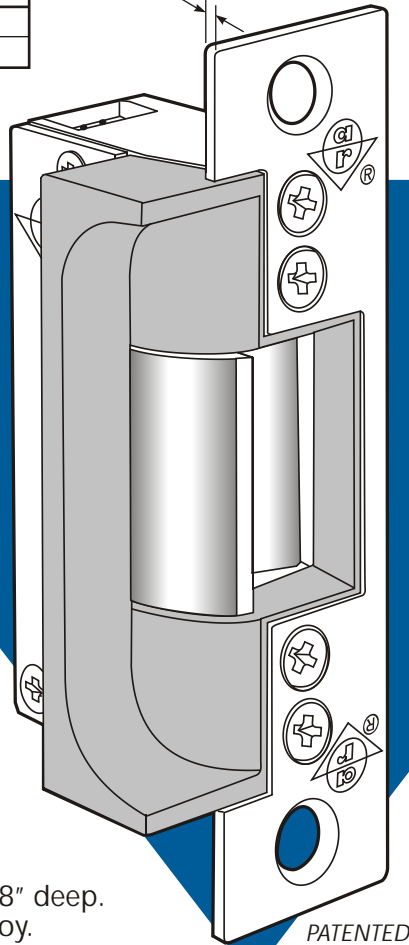


VOLTAGE		
Available in 12 or 24 volt AC and DC. DC Continuous units are silent, AC intermittent units "buzz" on operation.		
CURRENT DRAW/AMPS		
Volts	AC Int.	DC Cont.
12	1.42	.33
24	.74	.17

(Fits Standard Mounting Tab ANSI Prep) 3/32"



## 7170

ANSI/BHMA Type EO9321 (Grade 1)

LATCH TYPE	
	Mortise and Cylindrical Latches with 3/4" Projection without Deadbolt
DOOR FRAME TYPE	
	Hollow Metal Jamb
	Wood Jamb

All 3/4" throw latches require 1/8" minimum door gap. Horizontal center line of strike must match center line of mortise latchbolt.

UL Listed for Burglary Resistance

### ▼ Case

Approx. 1" x 3-3/8" x 1-7/8" deep. Made of Zinc-aluminum alloy.

### ▼ Strike Lip

Basic 7170 strikes have lip of proper length for 1-3/4" thick door that closes flush with jamb edge. Where door thickness or jamb shape differs from this standard relationship, extended lip is available, specified by last dash number.

### ▼ Function

Remote electrical control of any door equipped with one of the Mortise Type latchsets listed above. Electrical actuation unlocks strike jaw, releasing latchbolt so door can be opened without operating latch itself. Extremely compact mechanism fits hollow jamb sections as shallow as 1-7/8". Fits prep for 7560AN/7860AN and 7570/7870.

### ▼ Strike Opening

5/8" x 1-7/16" x 5/8" deep. Bolt retainer jaw is made of stainless steel.

### ▼ Faceplate

Measures 1-1/4" x 4-7/8". Faceplate is flat, with square corners. Available in a wide range of architectural finishes.

### ▼ Fail Safe/Fail Secure

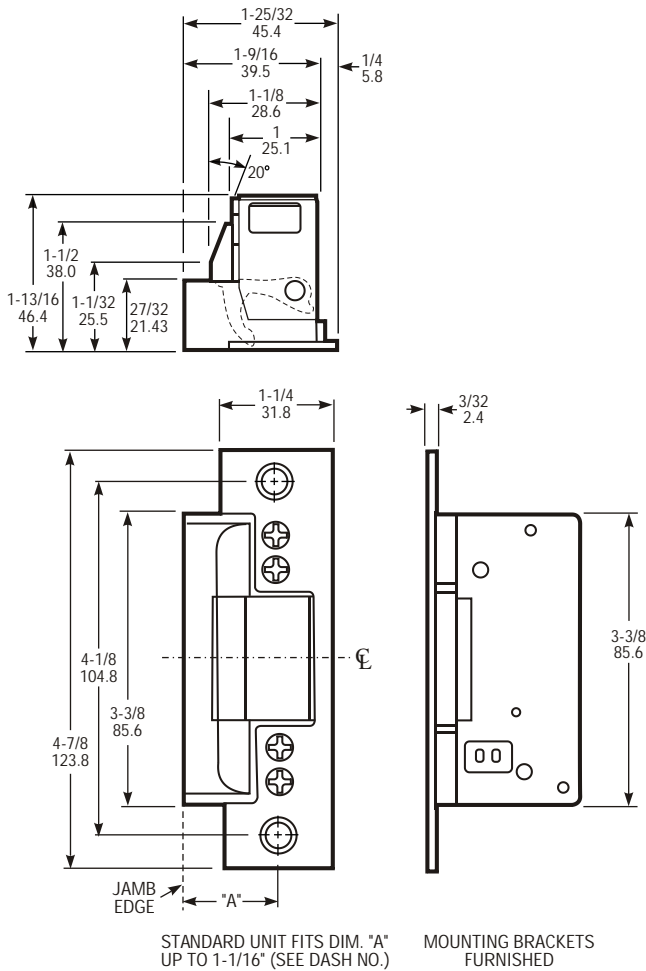
Field convertible from one mode to the other. However, AC intermittent solenoid must not be used continuously in either.



# 7170 Electric Strike

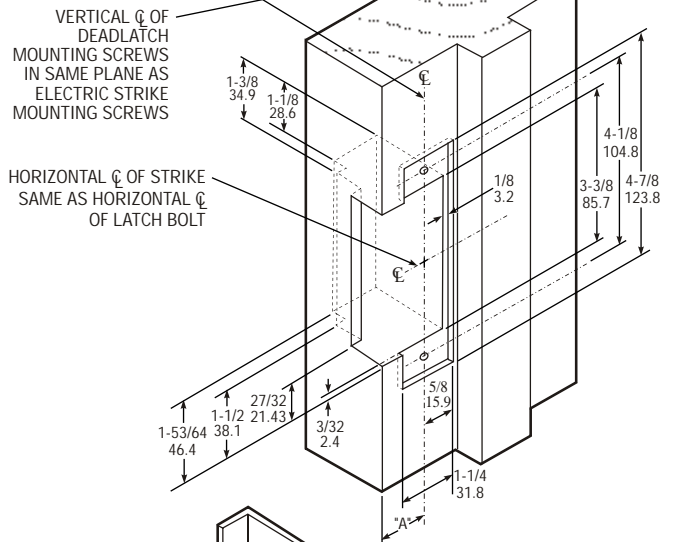
## DIMENSIONS

INCHES  
MILLIMETERS  
Nominal, subject to tolerance extremes.

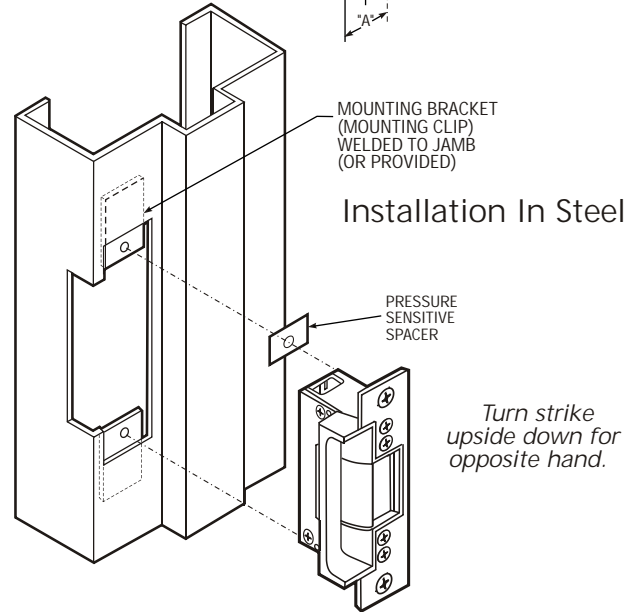


## INSTALLATION

### Jamb Prep In Wood

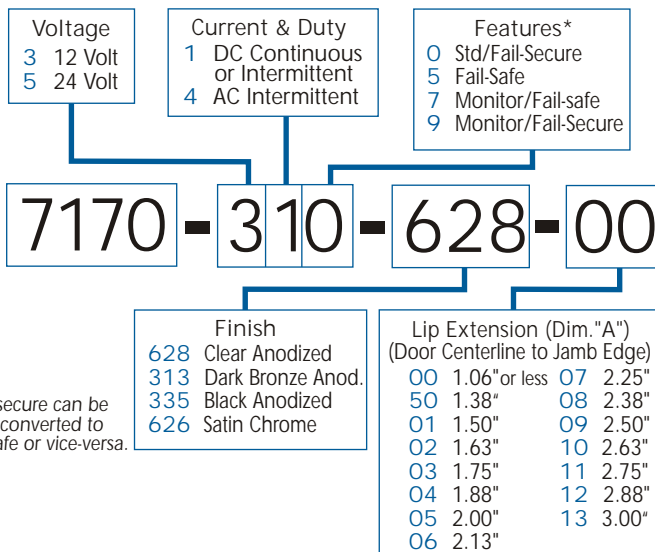


### Installation In Steel



## HOW TO ORDER

Specify quantity and the following information.  
Order 4603 Rectifier and/or 4605 or 4606 Transformer separately.



## STANDARD PACKAGE

Individually boxed with mounting screws. Includes mounting clips and adhesive shims for use where welded tabs are omitted.

## OPTIONS

Available with two monitoring signal switches which sense whether latch bolt is in strike and whether strike jaw is blocked. Choice of voltage in AC and DC for intermittent or continuous duty. Available with extended strike lip (see chart). Specify assembled for either fail-secure (locked when unpowered) or fail-safe (locked when powered) operation, but can be field-converted to the other mode.

4603 Rectifier - Converts AC to DC, installs in low voltage line between transformer and strike. Rated 2 amps. (200 PIV).

4605 Transformer - Converts 120VAC to 12/24VAC. Rated 40 Volt-amp output assures plenty of power for strike release. Patented mounting bracket fits in knockout hole of standard junction boxes.

4606 Transformer - Plug-in version for standard wall outlet. See separate specification sheet for more information on Strike options.