

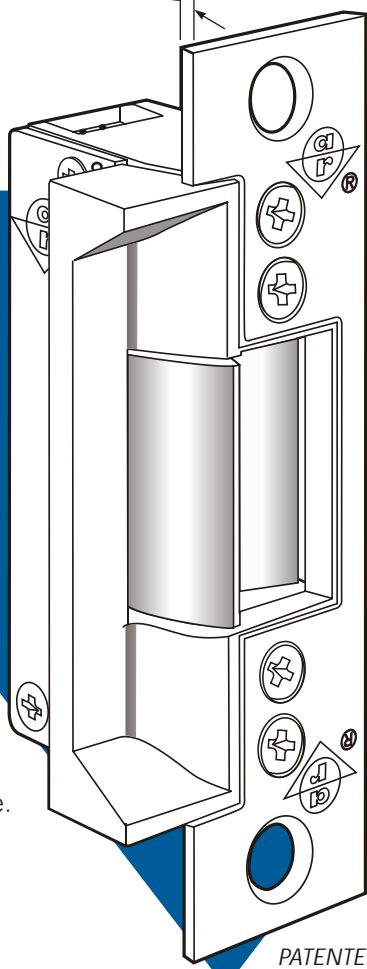
VOLTAGE

Available in 12 or 24 volt AC and DC. DC Continuous units are silent, AC intermittent units "buzz" on operation.

CURRENT DRAW/AMPS

Volts	AC Int.	DC Cont.
12	1.42	.33
24	.74	.17

(Fits Standard Mounting Tab ANSI Prep)
3/32"



UL Listed for Burglary Resistance.
UL 10C for up to 3-hour Fire Door Assemblies.

PATENTED

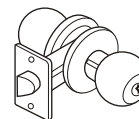
7240 Fire-Rated

ANSI/BHMA Type EO9321 (Grade 1)

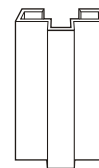
Fire-Rated in Fail-Secure Mode For Hollow Metal Jambs

LATCH TYPE

Fire-Rated Cylindrical Latches with up to 5/8" Projection



DOOR FRAME TYPE



Hollow Metal

▼ Case

Approx. 1" x 3-3/8" x 1-5/8" deep. Made of Zinc-aluminum alloy.

▼ Function

Remote electrical control of any door equipped with cylindrical (key-in-knob/lever) type latchsets listed above. Electrical actuation unlocks strike jaw, releasing latchbolt, so door can be opened without operating latch itself. Extremely compact mechanism fits into jamb sections as shallow as 1-21/32".

▼ Strike Opening

5/8" x 1-7/16" x 9/16" deep. Bolt retainer jaw and strike lip are made of stainless steel. Strike accepts bolt from a variety of latchsets.

▼ Strike Lip

Basic 7240 strikes have lip of proper length for 1-3/4" thick door that closes flush with jamb edge.

▼ Faceplate

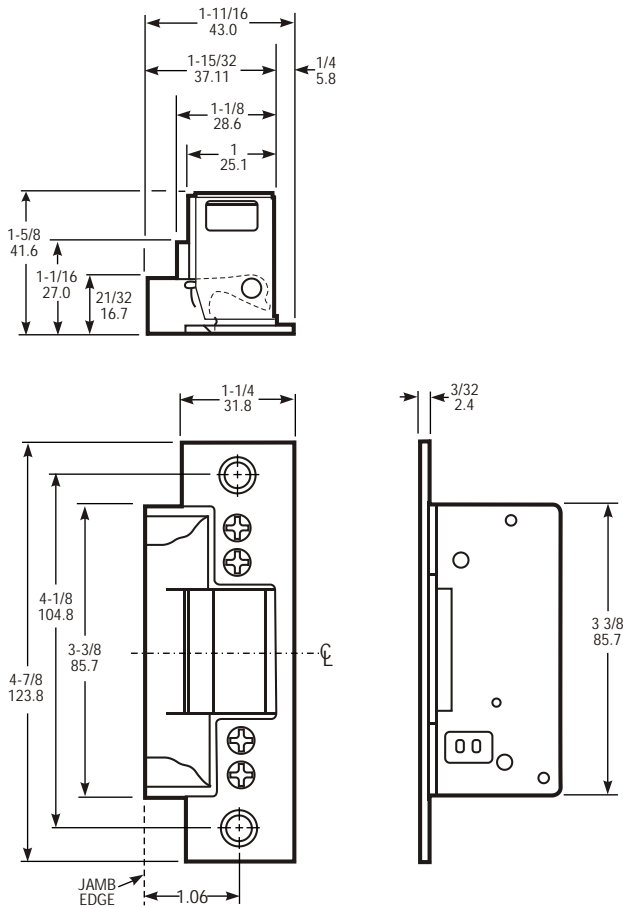
Measures 1-1/4" x 4-7/8". Faceplate is flat, with square corners.



7240 Electric Strike

DIMENSIONS

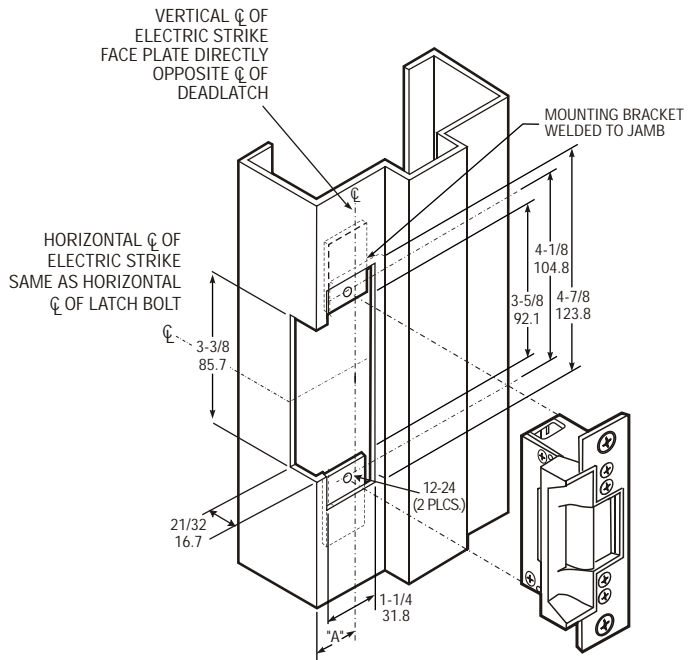
INCHES
MILLIMETERS
Nominal, subject to tolerance extremes.



STANDARD UNIT FITS DIM. "A"
UP TO 1-1/16" (SEE DASH NO.)

MOUNTING BRACKETS
FURNISHED

INSTALLATION

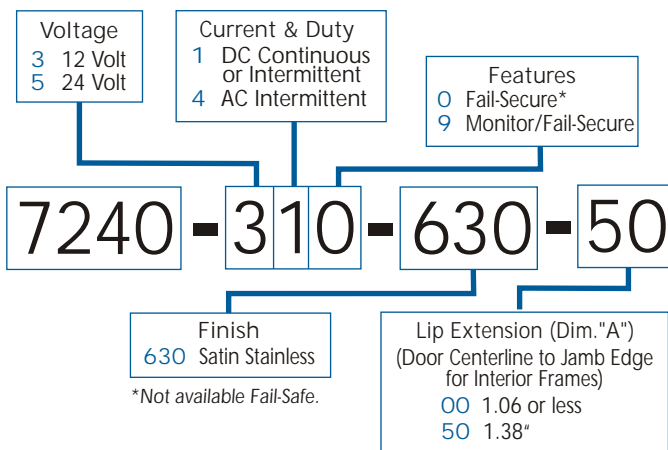


Turn strike
upside down for
opposite hand.

Installation In Steel Jamb

HOW TO ORDER

Specify quantity and the following information.
Order 4603 Rectifier and/or 4605 or 4606 Transformer separately.



STANDARD PACKAGE

Individually boxed with mounting screws. Includes mounting clips and adhesive shims for use where welded tabs are omitted.

OPTIONS

Available with two monitoring signal switches which sense whether latch bolt is in strike and whether strike jaw is blocked. Choice of voltage in AC and DC for intermittent or continuous duty. Assembled for fail-secure (locked when unpowered) operation.

4603 Rectifier - Converts AC to DC, installs in low voltage line between transformer and strike. Rated 2 amps. (200 PIV).

4605 Transformer - Converts 120VAC to 12/24VAC. Rated 40 Volt-amp output assures plenty of power for strike release. Patented mounting bracket fits in knockout hole of standard junction boxes.

4606 Transformer - Plug-in version for standard wall outlet.
See separate specification sheet for more information on Strike options.