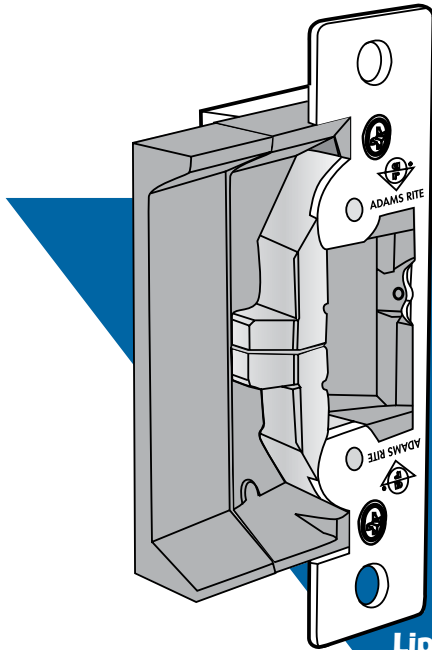


ULTRA LINE Options & Accessories

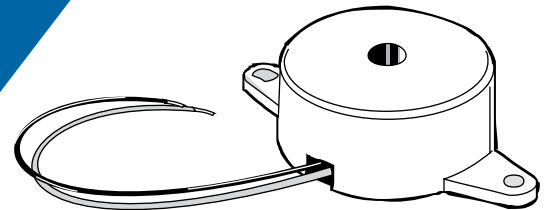
For Adams Rite 7400 UltraLine Electric Strikes



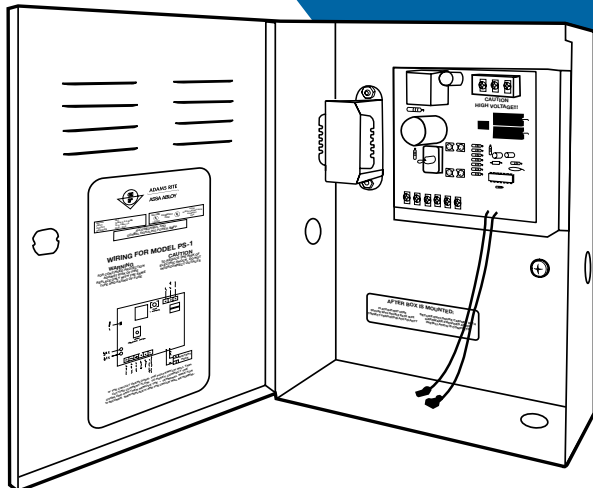
Lip Extension Kits



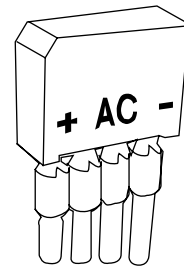
Monitor Switches



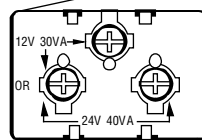
29-0218
Piezo Horn



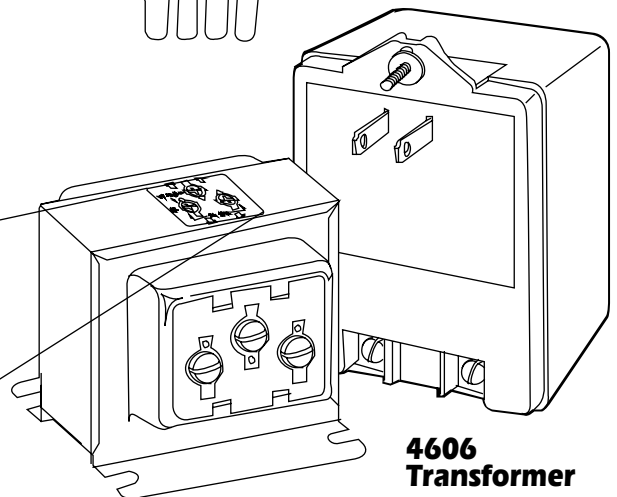
PS-1
Power Supply



4603
Rectifier



4605
Transformer



4606
Transformer



Options and Accessories

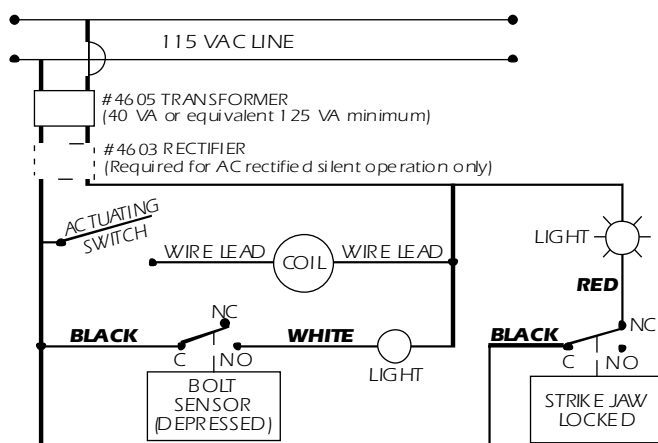
For Adams Rite 7400 Ultraline Electric Strikes

MONITOR SWITCHES

If a visual or other signal is required to tell an operator what the electric strike is doing, a "monitoring" strike to switch that signal on and off is required.

This feature utilizes two sensor switches: one is activated by the latchbolt's penetration of the strike and the other by the mechanism that blocks the strike's release.

These switches can also be used to interconnect two strikes in "man-trap" or interlock situations, such as elevator doors. In these cases, power to the solenoid of each strike is controlled by the switch(es) of the other so one won't unlock unless the other is locked. Each switch has both normally open and normally closed leads so they can be wired to either make or break a circuit. Shown here is one of many possible variations.



RECTIFIER

4603 Rectifier

Converts low voltage AC current to DC of same voltage. Installs in low voltage line between transformer and strike. Full wave bridge type. Rated 2 amps. (200 PIV).

PIEZO HORN

29-0218

Provides for audible indication of when a DC strike is energized. Operates with 12 VDC, 16 VDC or 24 VDC strikes.

TRANSFORMER

4605

Converts 120VAC to 12VAC/24VAC. Rated 40 Volt-amp output assures plenty of power for strike release.

4606

Converts 120VAC current to 24VAC. Plugs into standard wall outlet.

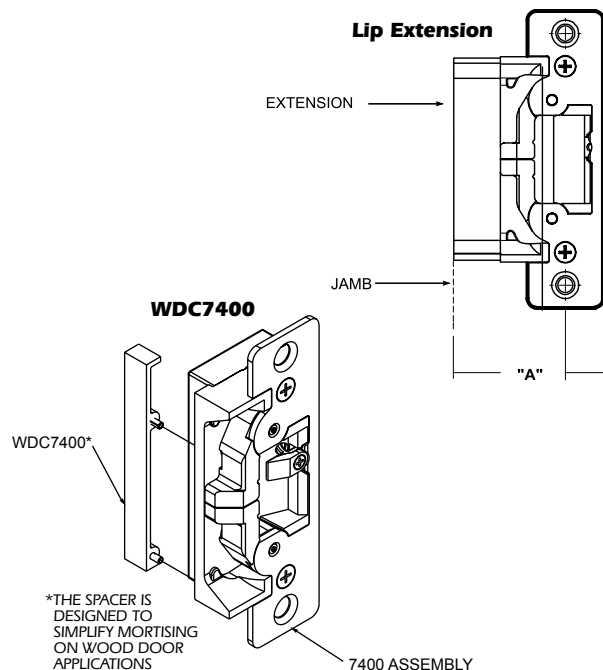
LIP EXTENSION KITS

Lip extensions are for center hung doors, thick doors or other conditions that vary from the "standard" 1-3/4" thick door that closes flush (or near flush) with the jamb face. Lip extension kits are available in 1/8" increments.

7400 Lip Extension (Dim, "A")

(Door Centerline to Jamb Edge)

1-1/16" or less (No ext. req.)	LEK7400-07	2-1/4"	
LEK7400-50	1-3/8"	LEK7400-08	2-3/8"
LEK7400-01	1-1/2"	LEK7400-09	2-1/2"
LEK7400-02	1-11/16"	LEK7400-10	2-5/8"
LEK7400-03	1-3/4"	LEK7400-11	2-3/4"
LEK7400-04	1-7/8"	LEK7400-12	2-7/8"
LEK7400-05	2"	LEK7400-13	3"
LEK7400-06	2-1/8"		



WOOD DOOR APPLICATION

WDC7400

This cover plate is designed to simplify mortising of wood door pairs.

POWER SUPPLY

PS-1

Provides filtered and regulated voltage output to power electric strikes, magnetic locks or other access control devices. Output is selectable in the field for 12 or 24 VDC. Charging circuit is built in for battery backup power with 12 or 24 VDC operation. LED on circuit board indicates power input.