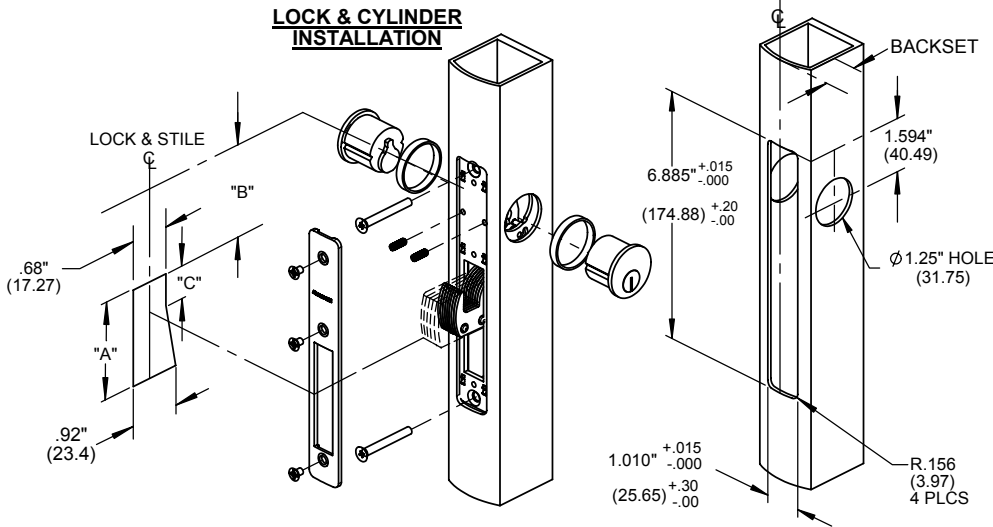
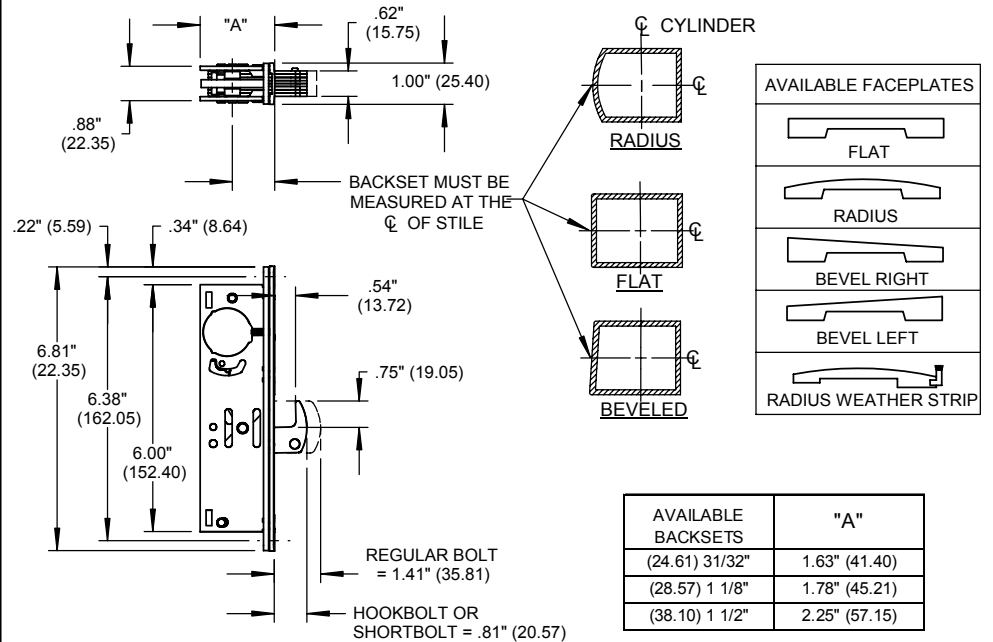


LOCK & CYLINDER INSTALLATION

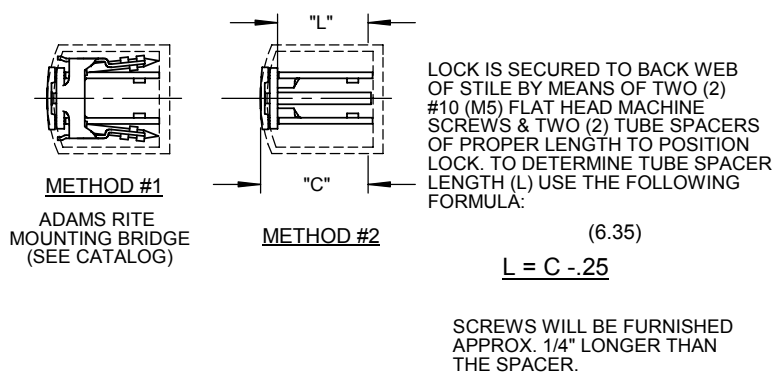


BOLT TYPE	"A"	"B"	"C"
REGULAR BOLT	3.38" (85.85)	1.38" (35.05)	1.00" (25.40)
SHORT BOLT	2.75" (69.85)	1.38" (35.05)	1.00" (25.40)
HOOK BOLT	1.94" (49.28)	2.19" (55.63)	.25" (6.55)

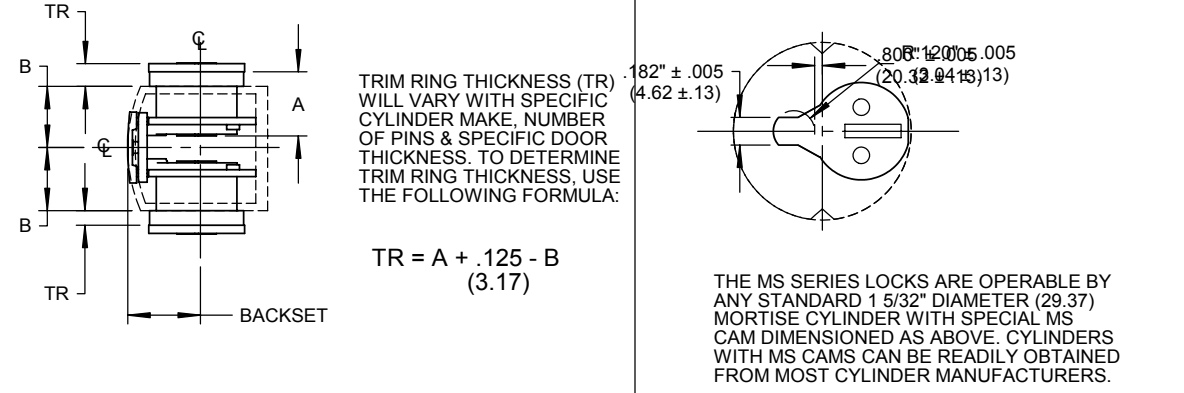
LOCK STILE PREPARATION



ALTERNATE MOUNTING METHODS



CYLINDER TRIM RING



THE MS SERIES LOCKS ARE OPERABLE BY ANY STANDARD 1 5/32" DIAMETER (29.37) MORTISE CYLINDER WITH SPECIAL MS CAM DIMENSIONED AS ABOVE. CYLINDERS WITH MS CAMS CAN BE READILY OBTAINED FROM MOST CYLINDER MANUFACTURERS.



INSTALLATION INSTRUCTION MS1950, MS1850A, & MS1850S