

Bottom Rail Deadbolt

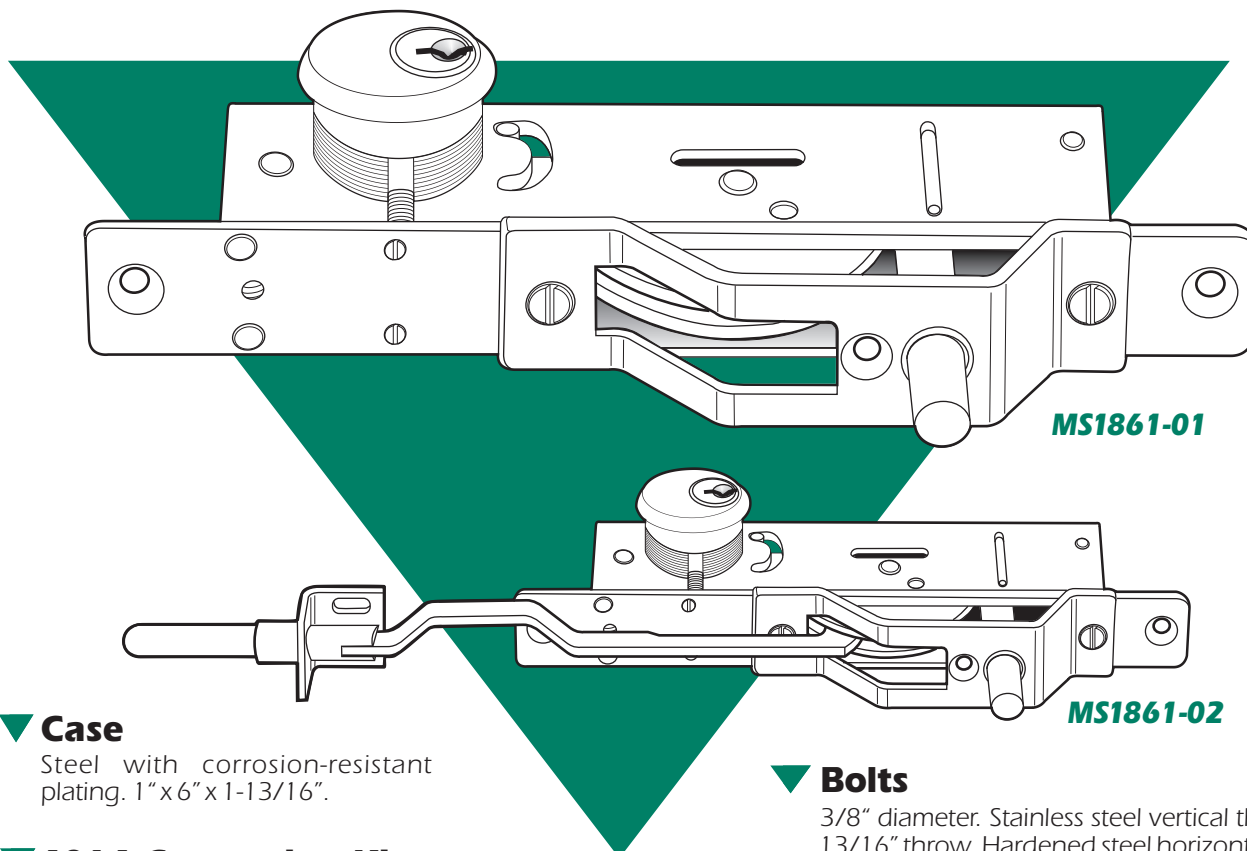
For Full Glass (Frameless) Doors

MS1861

ANSI/BHMA Type E8211 (Grade 1)

▼ Cylinder Backset

Minimum backset is approx. 2-1/4" for the MS1861-01, with vertical bolt only. The MS1861-02, with vertical and horizontal bolt, requires placement of cylinder centerline 5-3/4" from nose of door. Both have cylinder center 1-7/8" above bottom edge of door.



MS1861-01

MS1861-02

▼ Case

Steel with corrosion-resistant plating. 1" x 6" x 1-13/16".

▼ 4014 Conversion Kit

To convert MS1861-01 to MS1861-02, Kit 4014 provides horizontal bolt assembly with guide and attachment fittings.

▼ Function

Using the same overcenter/pivot locking mechanism as the basic MS® deadbolt, the MS1861 lies horizontally in the bottom rail of ultra-narrow stile doors, which have insufficient vertical space for a lock and tempered glass doors, which have no stile at all. The hardened steel cylindrical bolts allow simple drilled strike holes of a relatively small size to minimize the nuisance and danger presented by some threshold strikes in collecting debris and catching women's heels. MS1861-02 locks either single-leaf or paired doors.

▼ Bolts

3/8" diameter. Stainless steel vertical threshold bolt has 13/16" throw. Hardened steel horizontal bolt has 1-1/8" throw.

▼ Strikes

In metal installations, 7/16" drilled holes in threshold are required. For MS1861-02, drilled holes are also required in jamb or opposite door. For wood, metal plate with 7/16" hole must be provided for each bolt.

▼ Operation

360° turn of key or thumbturn throws or retracts bolt(s). Key can be removed only when bolts are in a positively locked or unlocked position. Lock accepts any standard 1-5/32" diameter mortise cylinder from either or both sides. Cylinder must have MS® cam. (See catalog page SW-33.)



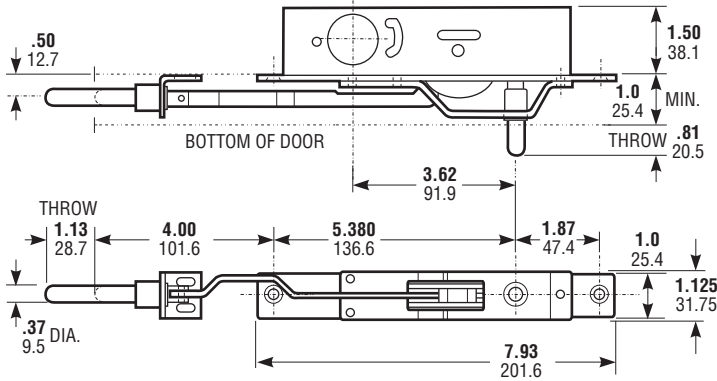
MS1861 Bottom Rail Deadbolt

DIMENSIONS

INCHES
MILLIMETERS

Nominal, subject to tolerance extremes.

UNIT ILLUSTRATED IS MS1861-02. (BOTH HORIZONTAL & VERTICAL BOLTS INCLUDED.)
CATALOG NUMBER FOR VERTICAL BOLT OPERATION ONLY IS MS1861-01.
CONVERSION KIT NO. 4014 AVAILABLE TO CONVERT MS1861-01 TO MS1861-02. SEE BELOW:

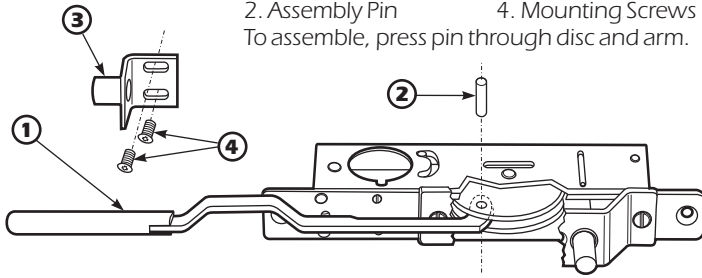


4014 Conversion Kit

The 4014 Conversion Kit consists of:

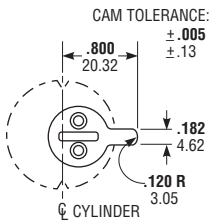
1. Arm & Bolt assembly
2. Assembly Pin
3. Bolt Guide Bracket
4. Mounting Screws

To assemble, press pin through disc and arm.



Cylinder Cam

MS1861 Series locks are operable by any standard 1-5/32" diameter mortise cylinder with special MS® cam dimensioned as shown. Cylinders with MS® cams can be readily obtained from most cylinder manufacturers. See page SW-33 for cylinder make and trim ring information.



HOW TO ORDER

Specify quantity and the following information.
Order related hardware separately.

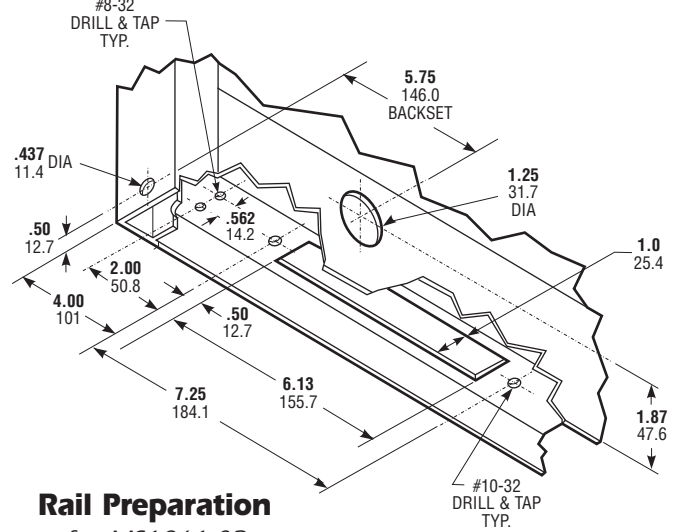
Bolt Operation

- 01 Vertical Bolt only
- 02 Vert. & Horiz. Bolts

MS1861 -01-603 -IB

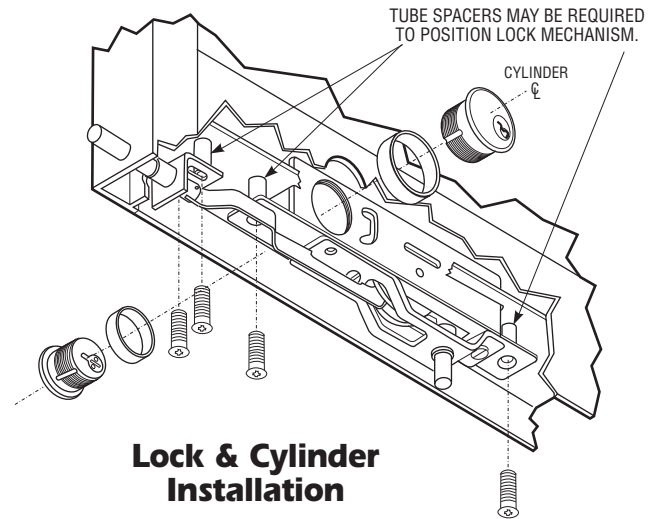
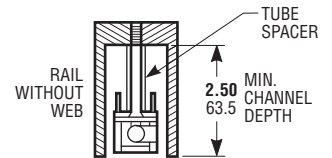
If only Conversion Kit is required, specify 4014.
If tube spacers are required, specify QUANTITY and LENGTH.

INSTALLATION



Rail Preparation for MS1861-02

BOTTOM DOOR RAILS WITH WEB WILL REQUIRE MACHINING AS SHOWN ABOVE. POSITION OF WEB WILL DETERMINE TUBE SPACER REQUIREMENT AND TUBE SPACER LENGTH.



Lock & Cylinder Installation

STANDARD PACKAGE

Individually boxed with mounting screws. Cylinders and/or thumbturn available at extra cost. Shipping weight: MS1861-01: 1-3/4 lbs., MS1861-02: 2 lbs.