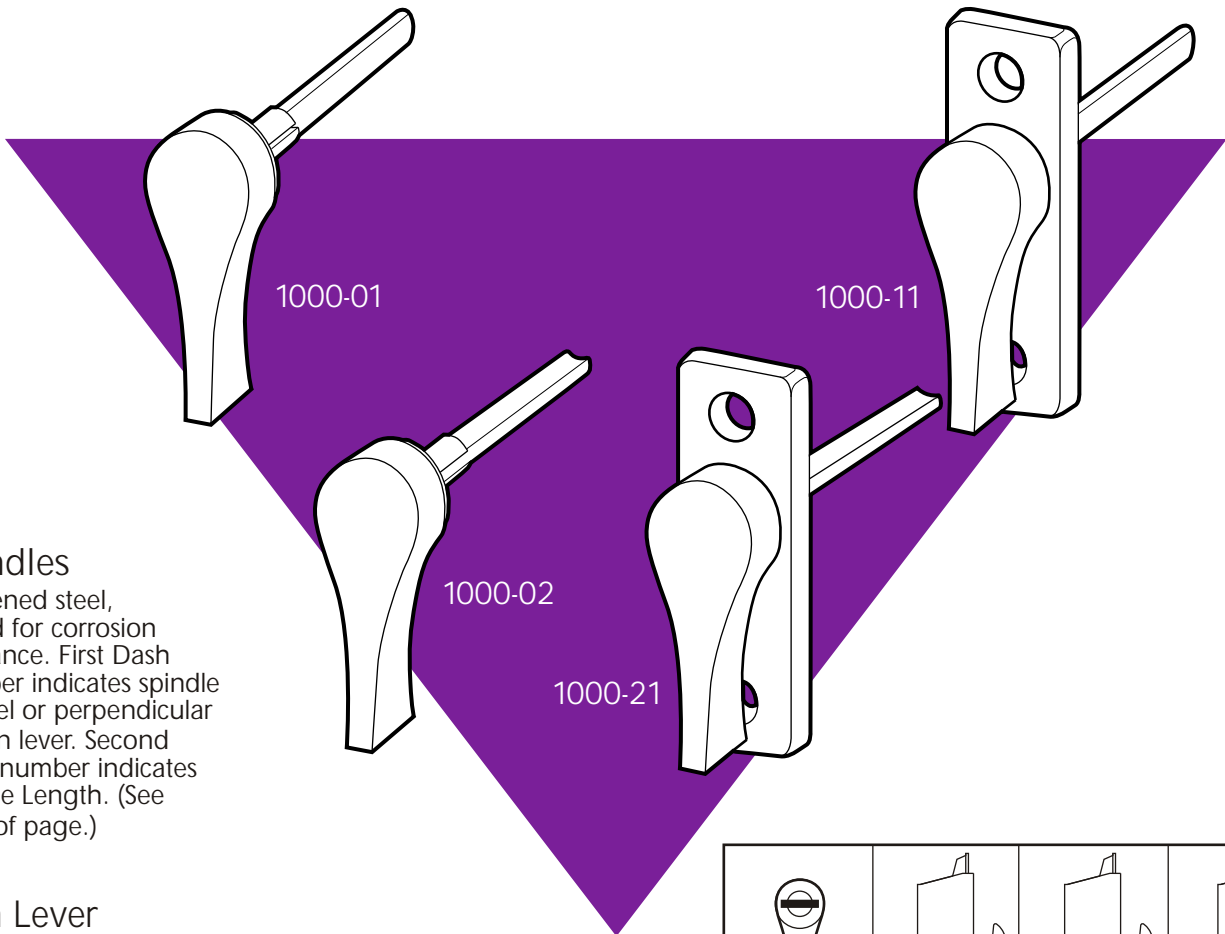


Turns

1000 Series



▼ Spindles

Hardened steel, plated for corrosion resistance. First Dash number indicates spindle parallel or perpendicular to turn lever. Second Dash number indicates spindle Length. (See back of page.)

▼ Turn Lever

Zinc alloy. Trim finish RC130.

▼ Escutcheon

Made of Steel. Trim finish in RC130.

▼ Function

Series 1000 turns are designed to operate Adams Rite MS1847 deadlocks and latches. 1000-11 and 1000-21 have a rectangular escutcheon for mounting directly on door. 1000-01 and 1000-02 are without escutcheon, designed for easy push-nut mounting to door pull or other trim plate.

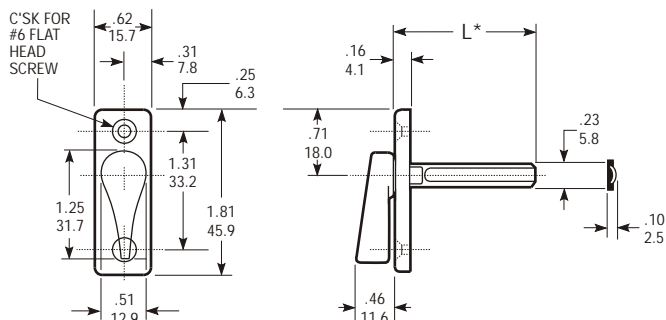
Perpendicular Drive	MS1847-09 MS1847-10	MS1847-06 MS1847-13	MS1847-02 MS1847-11
LOCK PART NUMBER			
Parallel Drive			



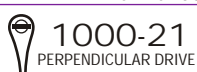
1000 Series Turns

DIMENSIONS

INCHES
MILLIMETERS
Nominal, subject to tolerance extremes.



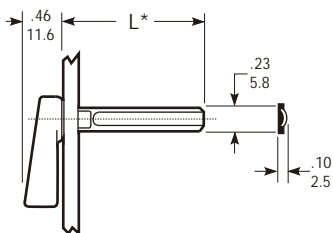
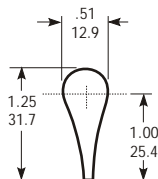
Turn with Escutcheon
Furnished Assembled



1000-21
PERPENDICULAR DRIVE



1000-11
PARALLEL DRIVE



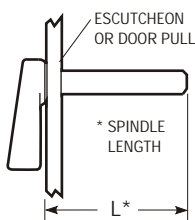
Turn without Escutcheon
Furnished Unassembled



1000-02
PERPENDICULAR DRIVE



1000-01
PARALLEL DRIVE



Second Dash Number			
No.	"L"	No.	"L"
-11	.54 (13)	-22	1.23 (31)
-12	.61 (15)	-23	1.29 (33)
-13	.67 (16)	-24	1.36 (34)
-14	.73 (18)	-25	1.42 (36)
-15	.79 (20)	-26	1.48 (37)
-16	.86 (22)	-27	1.52 (38)
-17	.92 (23)	-28	1.61 (41)
-18	.98 (24)	-29	1.67 (42)
-19	1.04 (26)	-30	1.73 (43)
-20	1.11 (26)	-31	1.79 (45)
-21	1.17 (30)	-32	1.86 (47)

HOW TO ORDER

Specify quantity and the following information.
Order related hardware separately.

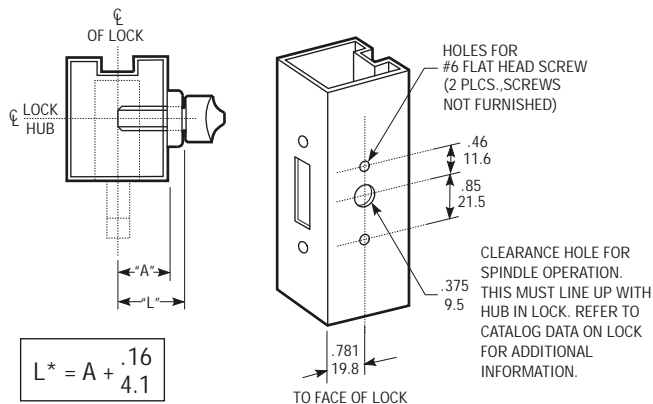
Turn Type
See Drawings above

Spindle Length
See Chart above

Finish
130 To match 628 Clear Anodized
121 To match 313 Dark Bronze Anod.
119 To match 335 Black Anodized

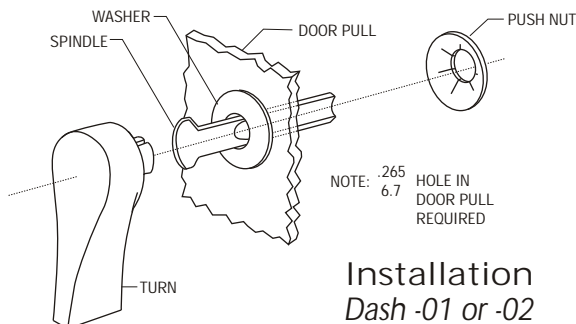
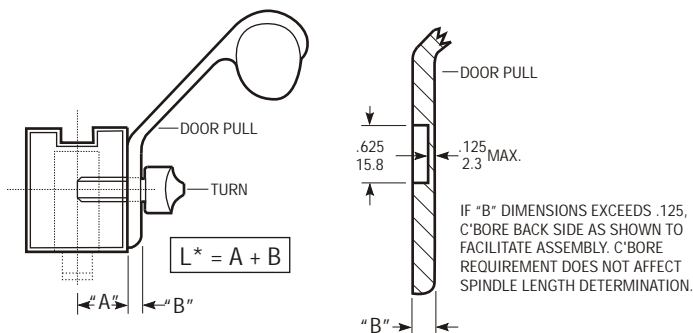
1000 - 21 - 14 - 130

INSTALLATION



$$L^* = A + \frac{.16}{4.1}$$

Stile Preparation
Dash -11 or -21



Installation
Dash -01 or -02

OPTIONS

The availability of both perpendicular and parallel drives in these turns, coupled with the three hub drive positions of the MS1847 lock, provides several options. Choice of turn drive position relates directly to the particular lock hub drive position. Special care in specifying both the proper turn and lock in ordering is recommended. Chart on other side shows turn positions relative to lock hub positions. Broken line indicates direction of travel (45°) to retract bolt. Turn 1015 for use with 5017 lock also available on high quantity order.

STANDARD PACKAGE

Individually packaged in coin envelope. Dash-21 and Dash-11 assembled, with escutcheon. Dash-01 and -02, unassembled, include turn, spindle, washer and push nut for assembly on the door pull plate. Shipping weight: 1/16 lb.