

Threshold Bolt

For Aluminum Stile Doors

4015

ANSI/BHMA Type E8241 (Grade 1)

▼ Cylinder Height

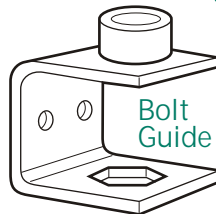
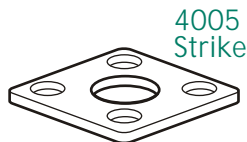
Standard threshold bolt rod is sufficient for cylinder height up to 53-7/16". It is fully threaded and can be cut off for low cylinder heights. Also available to volume users, cut and threaded only for specific cylinder heights.

▼ Adjustment

Exact adjustment of threaded rod to cylinder height is locked in place by hexagonal threshold bolt.

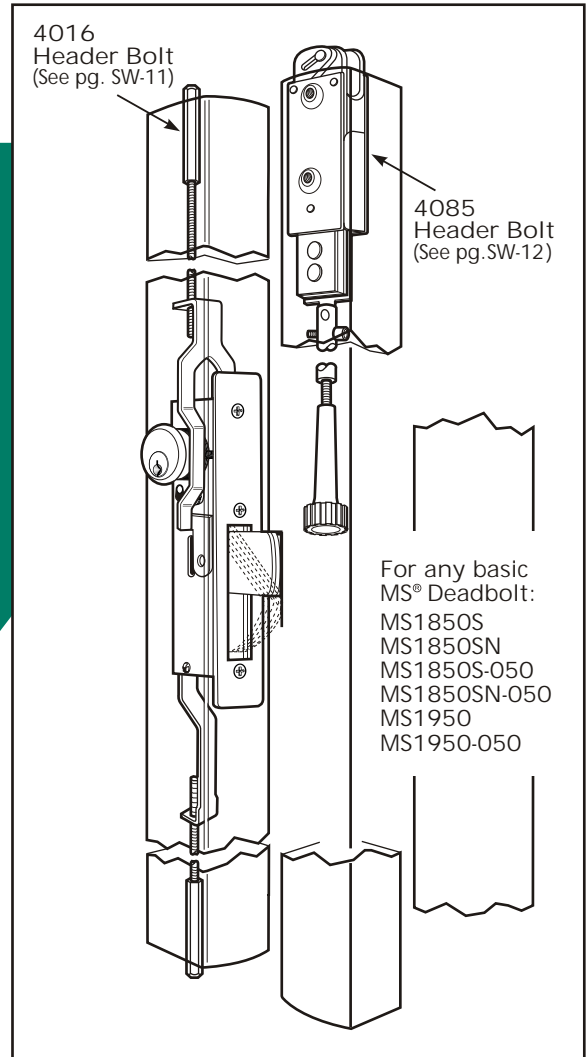
▼ Strike

For drop-bolt, a 1/2" diameter hole in metal threshold is suitable or, for non-metal installations, 4005 strike is available.



▼ Function

Adding the 4015 bolt to a pivoted bolt MS® deadbolt allows Maximum Security for pairs of doors by the turn of a single key. Simultaneously dropping a stainless steel hexbolt into the threshold and pivoting the massive MS bolt into the mating door's stile, the two-point lock secures the entire double door entrance. The 4015 threshold bolt is harnessed to the rear of the pivoted bolt. It may be added to any basic MS1850S or MS1850SN deadbolt.



▼ Threshold Bolt

Hexagonal 3/8" flat to flat. Made of stainless steel.

▼ Operation

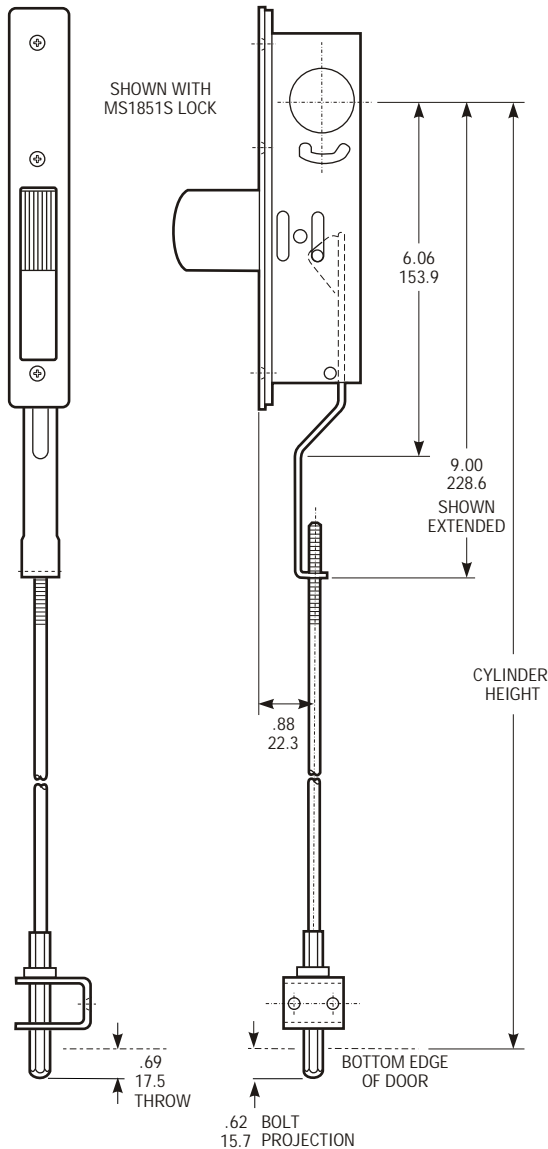
360° turn of key or thumbturn in basic MS lock throws counterbalanced bolt into opposite door and drop-bolt into threshold. Key can be removed only when bolts are in a positively locked or unlocked position.



4015 Threshold Bolt

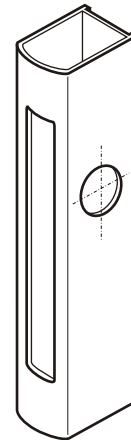
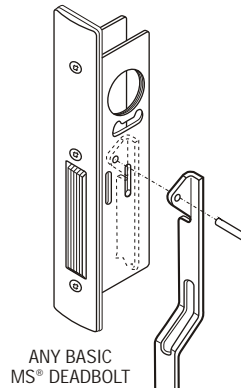
DIMENSIONS

INCHES
MILLIMETERS
Nominal, subject to tolerance extremes.



INSTALLATION

INSTALL ADAPTOR ARM IN LOCK FROM REAR WITH BOLT RETRACTED AS SHOWN. DRIVE PIN THROUGH SLOTS IN LOCK SIDE PLATES PASSING THROUGH HOLE IN THE ADAPTOR ARM.

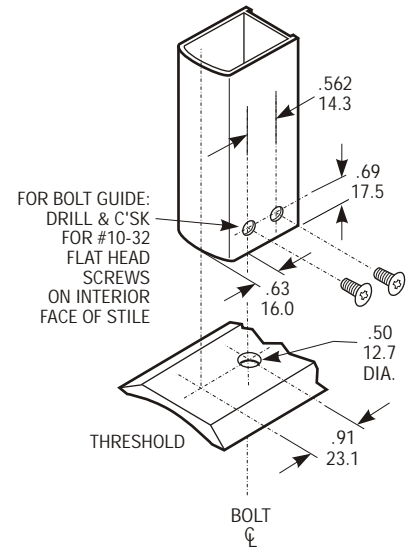


Stile Preparation

See basic MS® Deadlocks:
MS1850S
MS1850SN
MS1950
MS1950-050

ROD/BOLT LENGTH MUST BE APPROX. 7.0 178.0 LESS THAN CYLINDER HEIGHT

CUT OFF TO SUIT LOW CYLINDER HEIGHTS.



HOW TO ORDER

Specify quantity and the following information.
Order related hardware separately.

Add Dash Number for "universal" size

4015 -18-IB

If ordering in volume quantity for specific cylinder height, specify CYLINDER HEIGHT.

OPTIONS

For "universal" application, specify 4015-18 with fully threaded rod for cut off to any cylinder height below 53". For greater height or precut rod for high volume use, specify exact cylinder height. Order 4085 Header Bolt and 4016 Header Bolt separately (Page SW-11.)

STANDARD PACKAGE

Packed separately with bolt guide, screws and attachment pin. Shipping weight: 1 lb.