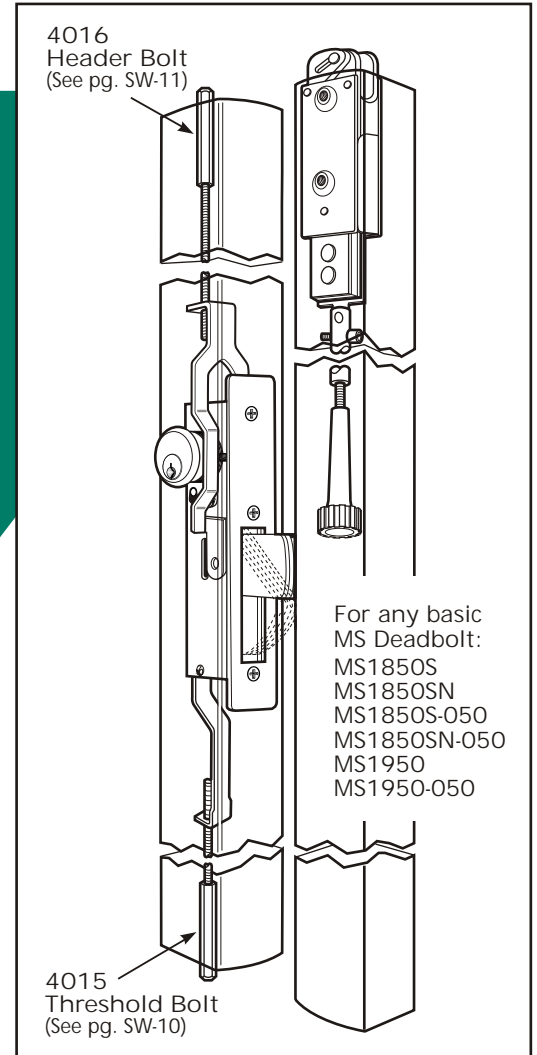
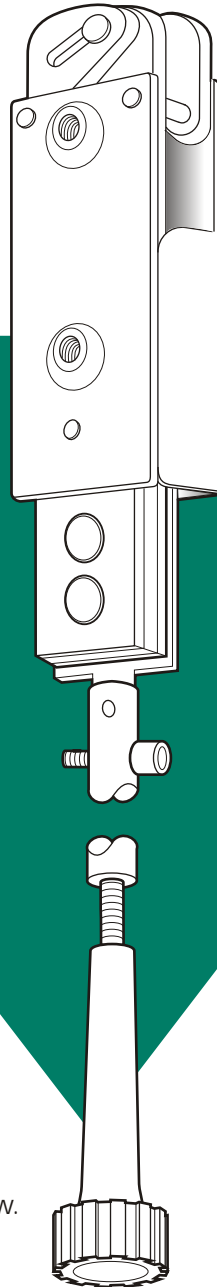
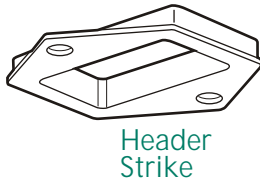


Header Bolt

Pairs of Doors only
For Aluminum Stile Doors

4085

ANSI/BHMA Type E8261 (Grade 1)



▼ Adjustment

Minor adjustment of rod length is accomplished by turning nylon rod end.

▼ Header Bolt

1/2" x 1-1/2" expanding bolt with 5/8" throw. Housed in 1-1/2" x 2-3/4" x 5/8" case.

▼ Function

Designed to add a top-of-door third locking point for pairs of doors with an MS[®] pivoted bolt deadbolt and 4015 Threshold bolt in the active leaf. The 4085 is mounted in the inactive leaf. This additional bolt, triggered by the pivoted MS bolt, expands in a "scissors" action to center itself in its strike as it rises. This action saves the key holder from the difficulty of lining up the doors with three separate strikes, even if doors are misaligned due to faulty installation or settling. The three-point features may be added to any basic MS1850S/MS1850SN or MS1950 deadbolt.

▼ Operation

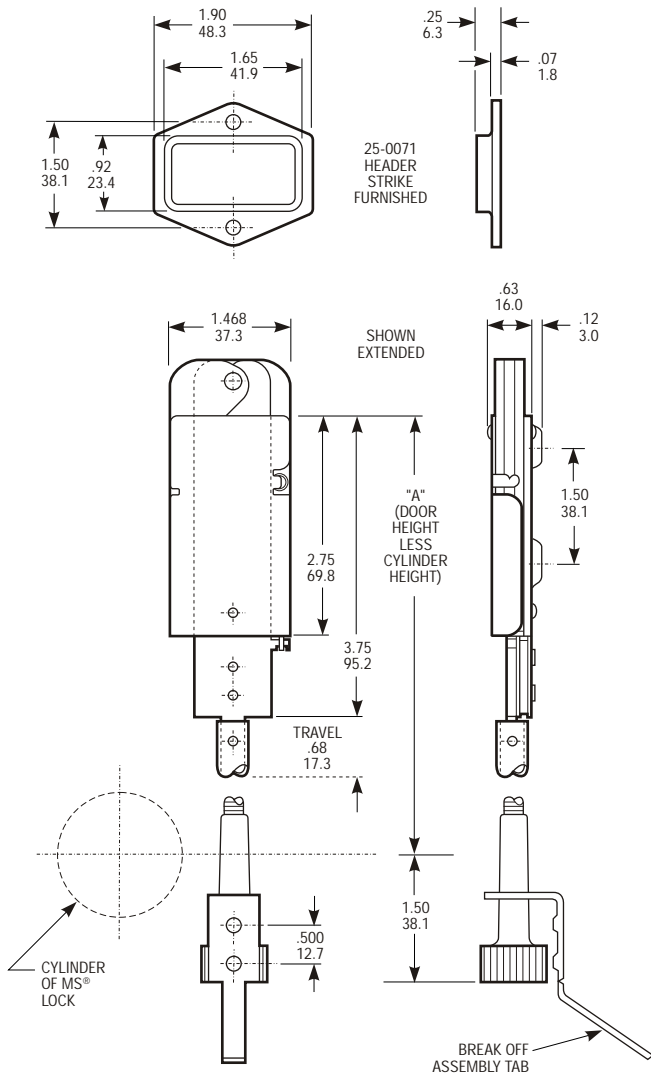
360° turn of key or thumbturn in basic MS lock throws counterbalanced bolt into opposite door, kicking positioner bolt into header strike. (Positioner bolt may be manually thrown before closing active leaf to reduce effort on key-bow.) Key can be removed only when bolts are in a positively locked or unlocked position.



4085 Header Bolt

DIMENSIONS

INCHES
MILLIMETERS
Nominal, subject to tolerance extremes.



HOW TO ORDER

Specify quantity and the following information.

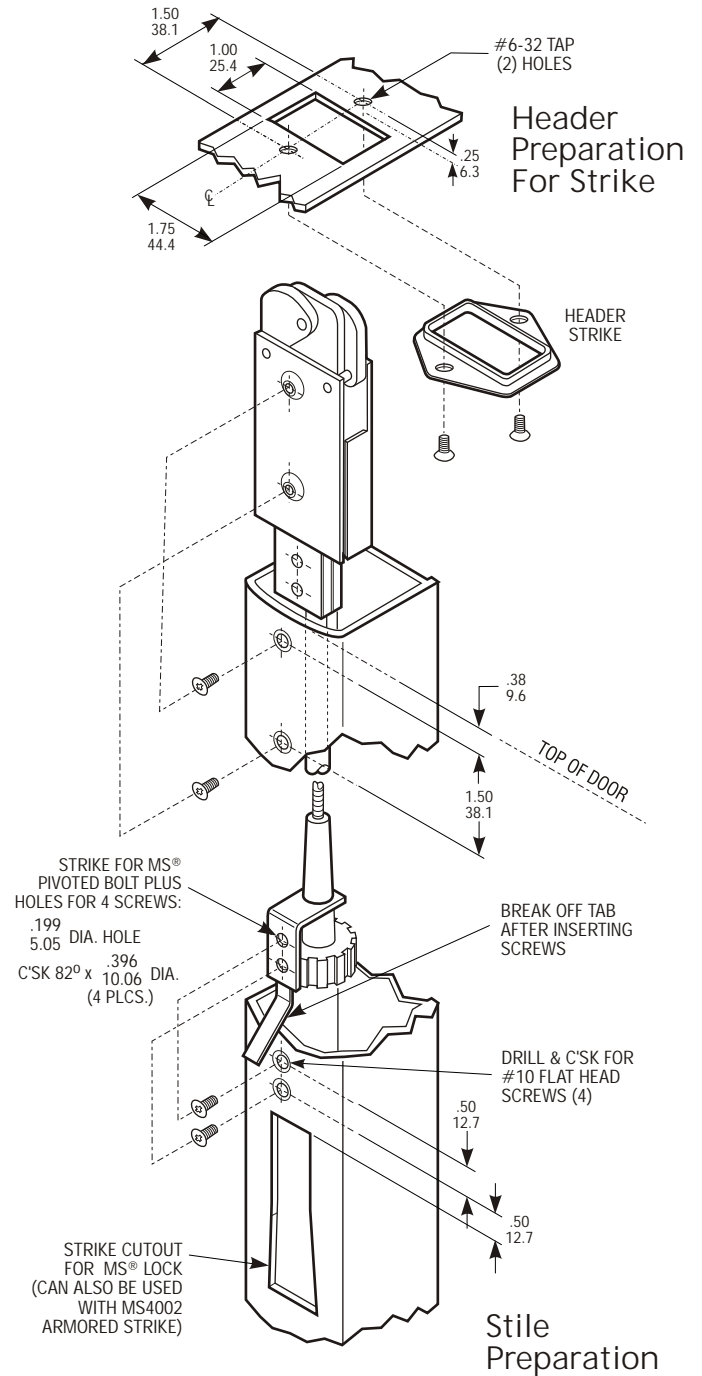
Example:
Door Height Cylinder Height "A"
96" - 40" = 56"

Dimension "A"
01 30" - 52"
02 52" - 67"
03 67" - 79"
04 79" - 92"

Reference
7' Door is 84"
8' Door is 96"
9' Door is 108"
10' Door is 120"

4085 - 02 - IB

INSTALLATION



OPTIONS

Order 4015 Threshold Bolt separately (page SW-10).

STANDARD PACKAGE

Packed separately with rod guide, screws and header strike.
Shipping weight: 1 lb.