

## Cylinder-Operated Flushbolt

*For Hollow Metal Doors*

### 1870HM Series

MAY BE INSTALLED TO  
LOCK AT THRESHOLD  
OR AT HEADER.

▼ **Cylinder Backset**  
1-1/4" only.

▼ **Cylinder Height**  
Standard length (cylinder center to door end) is 13-1/2". Other lengths available on special order.

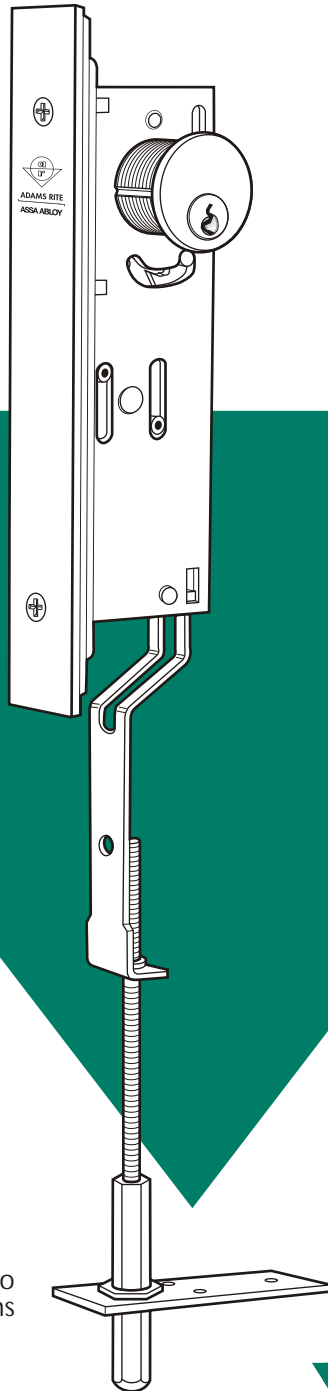
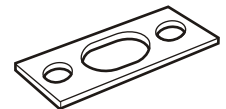
▼ **Function**  
Designed for use instead of conventional flip-lever operated flushbolts, the 1870HM gives building management key control of the inactive leaf of paired doors. Prevents casual locking of the inactive leaf by children or other unauthorized persons. Uses same basic overcenter action mechanism as MS® pivoted bolt locks. Recommended for installation at both top and bottom of inactive door with MS1850SN in active door for greatest security.

▼ **Bolt**  
Hexagonal 3/8" flat to flat, with 11/16" throw. Made of stainless steel.

▼ **Case**  
Steel with corrosion-resistant plating. 1" x 6" x 1-29/32".

▼ **Strike**  
2-1/4" x 15/16" strike is supplied.

▼ **Operation**  
360° turn of key throws or retracts hardened hex-section bolt. Key can be removed only when bolt is in a positively locked or unlocked position. Accepts any standard 1-5/32" mortise cylinder from either or both sides. Cylinder must have MS cam. (See page SW-35.)

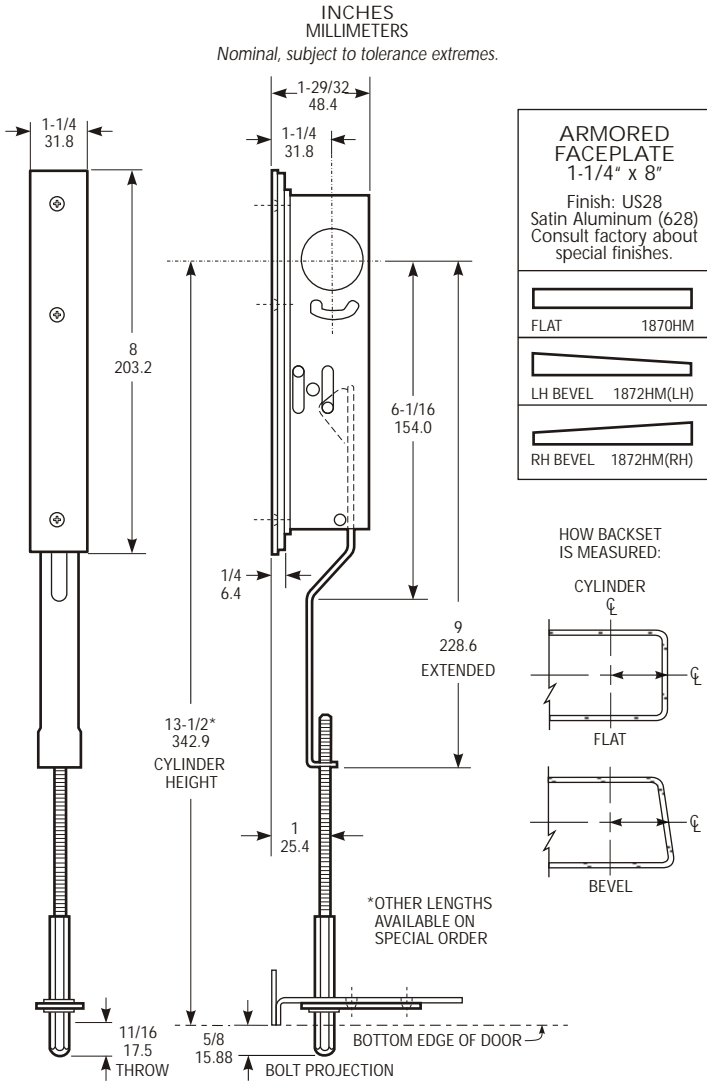




# 1870HM Series Flushbolt

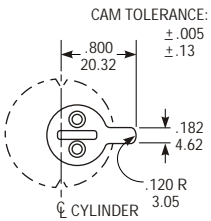
For Hollow Metal Doors

## DIMENSIONS



### Cylinder Cam

1870HM Series locks are operable by any standard 1-5/32" diameter mortise cylinder with special MS® cam dimensioned as shown. Cylinders with MS cams can be readily obtained from most cylinder manufacturers. See page SW-35 for cylinder make and trim ring information.



## HOW TO ORDER

Specify quantity and the following information.  
Order related hardware separately.

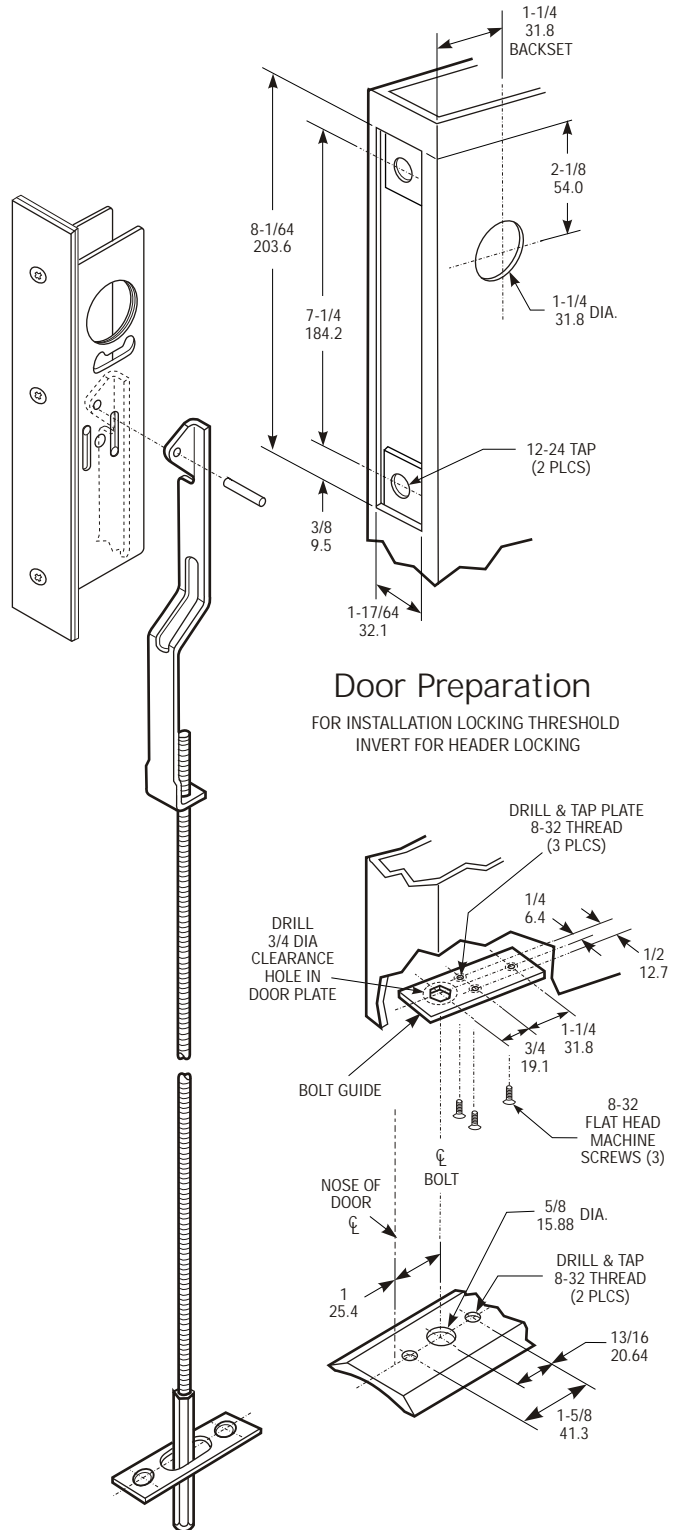
Faceplate Shape 1870HM Flat 1872HM Bevel	Handing 5 LH or RHR 6 RH or LHR Non-Handed*	Finish 628 Clear Anodized 313 Dark Bronze Anod. 335 Black Anodized
--	--	---

1870HM 5 - 628

\*Any flat or radius face

©2009 ADAMS RITE MANUFACTURING CO.

## INSTALLATION



## STANDARD PACKAGE

Basic lock mechanism boxed with actuator arm attached, rod/bolt assembly unattached. Stainless steel bolt guide, mounting screws and installation instructions included. Cylinders available at extra cost. Shipping weight: 1-1/4 lbs.