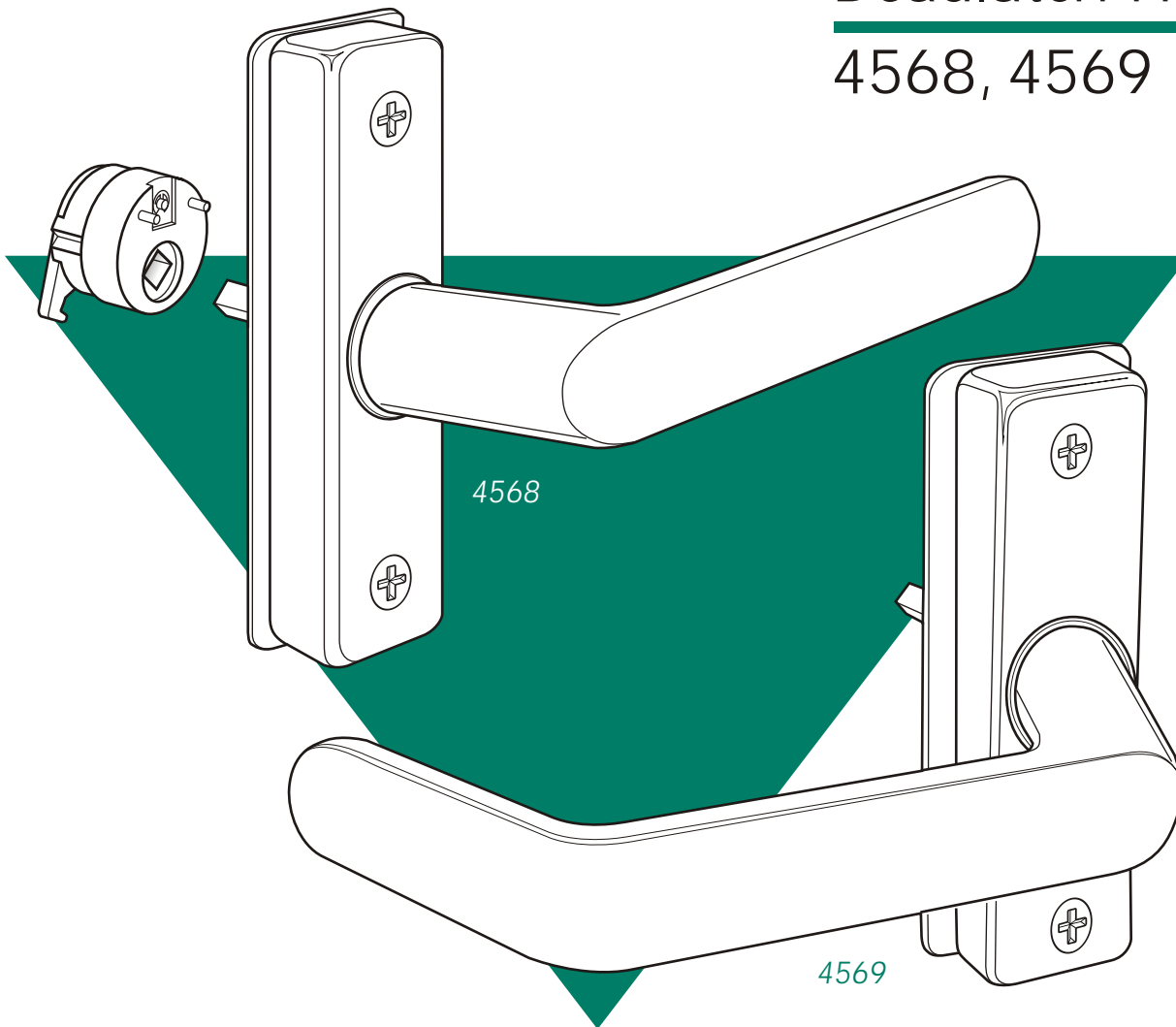




Eurostyle Deadlatch Handles

4568, 4569



▼ Escutcheons

1-3/8" x 4", designed to match the narrow stile doors clean lines. Steel mounted base is secured by hidden screws and has two large helical compression springs. (One becomes a "spare" once handling is given.) A 1/4" square heat-treated spindle is part of escutcheon assembly, which interlocks with the cam plug. Finished to match lever.

▼ Function

Designed to operate 4500/4700/4900 Series latches by a natural downward hand movement. These handles incorporate an activator cam disc that mounts on the handle escutcheon and fits solidly into the cylinder hole of the latch. Not intended for use as a door pull.

▼ Cam Plugs

Secured in latch body by cylinder setscrew, plug is also rigidly tied to handle escutcheon by hardened steel pins. Handing can be reversed by removing a spring clip, "flopping" the cam and replacing the clip.

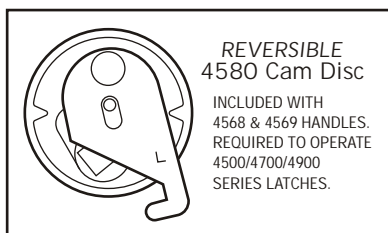
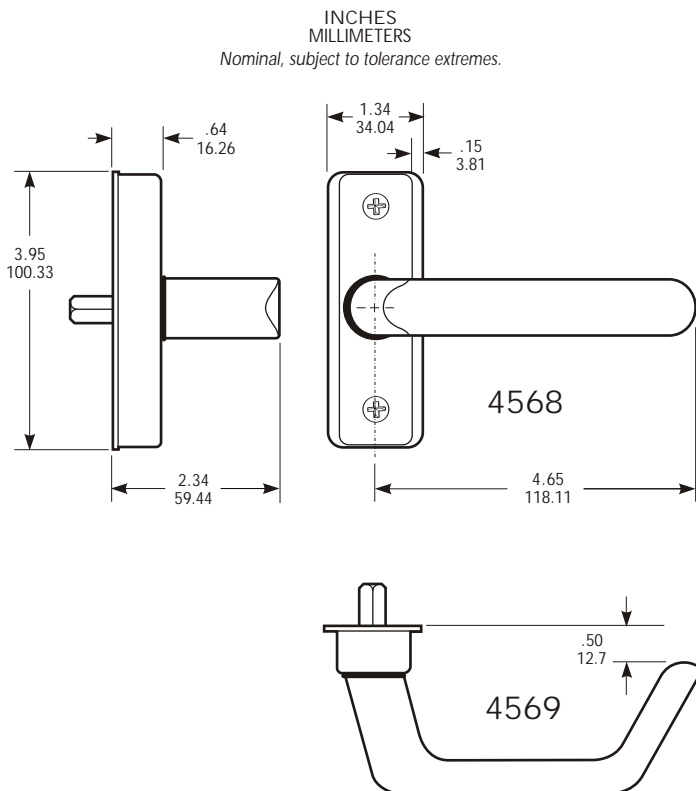
▼ Levers

Lever of cast aluminum, in choice of 130 Satin Aluminum, 121 Dark "Bronze" or 119 Black. Modern European styling offers a generous hand grip with shank offset away from the narrow stile jamb for hand safety. 4569 has return end to meet anti-snag code requirements.



4568, 4569 Eurostyle Handles

DIMENSIONS



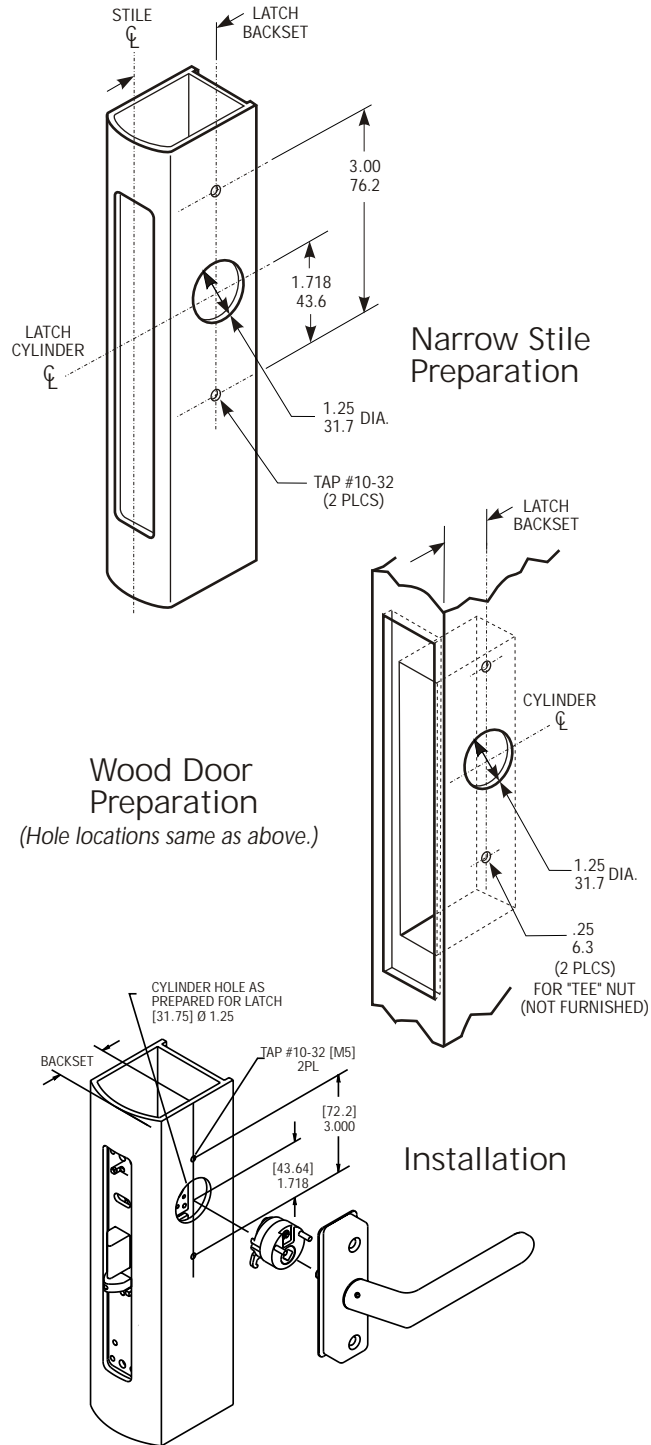
HOW TO ORDER

Specify quantity and the following information.

Lever Type 4568 Straight 4569 Return End	Handing* 0 using MS+1890 5 LH or LHR 6 RH or RHR	Door Thickness For 4500/4700/4900	
		01 1-3/4" - 2"	02 2-1/4" - 2-1/2"
4568 - 501 - 121		03 2-3/4" - 3"	04 3-1/4"
		Door Thickness For MS+1890	
11 1-3/4"	12 2" - 2-1/4"	Finish (Painted to Match)	
13 2-1/2" - 2-3/4"	14 3"	130 Satin Aluminum	121 Dark Bronze
		119 Satin Black	US3 Bright Brass
		US26D Satin Chrome	

*Assuming handle on interior of door.

INSTALLATION



OPTIONS

Pre-handing can be specified LH or RH although re-handing in the field is easily accomplished. Standard handles are for 1-3/4" thick doors. Available on special order for doors up to 3-1/4" at extra cost.

STANDARD PACKAGE

Packed individually with cam plug handed LH or RH as specified. Two 10-32 mounting screws furnished. Shipping weight: 1/2 lb.