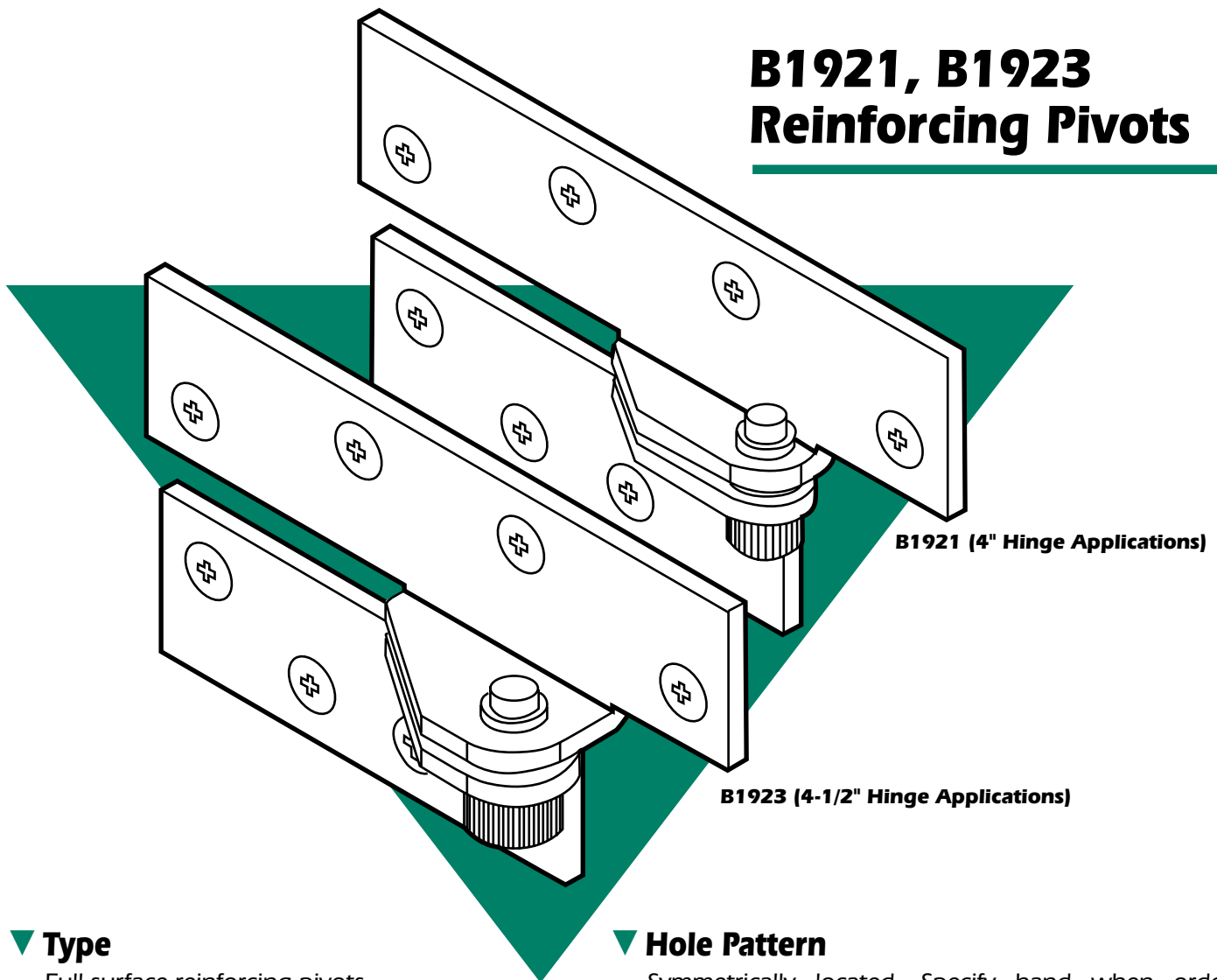


B1921, B1923 Reinforcing Pivots



B1921 (4" Hinge Applications)

B1923 (4-1/2" Hinge Applications)

▼ Type

Full surface reinforcing pivots for flush doors.

▼ Finish

Zinc plating over steel.

▼ Material

Heavy-duty 3/16" (.187) cold-rolled steel.

▼ Cycle Testing

1,500,000 repetitions.

▼ Capacity

Supports weights up to 300lbs.

▼ Hole Pattern

Symmetrically located. Specify hand when ordering.

▼ Hinge Size

The B1921 pivot is designed with 1/2" offset to match the pivot point of a 4" wide butt hinge.

The B1923 pivot is designed with a 3/4" offset to match the pivot point of a 4-1/2" wide butt hinge.

▼ Function

This full-surface reinforcing pivot adds years of life to openings where the hinges or hinge reinforcements have failed. Reinforcing pivots take the load off the top hinge and transfer it to screws that are in shear so they will not pull out. The economical way to solve door sag problems.



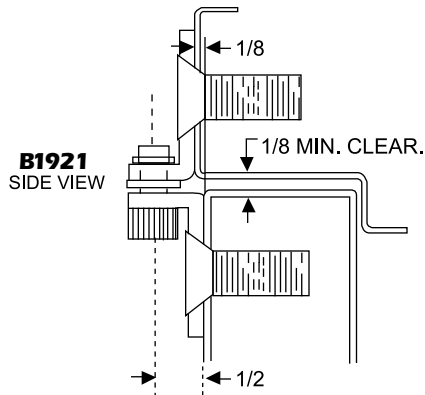
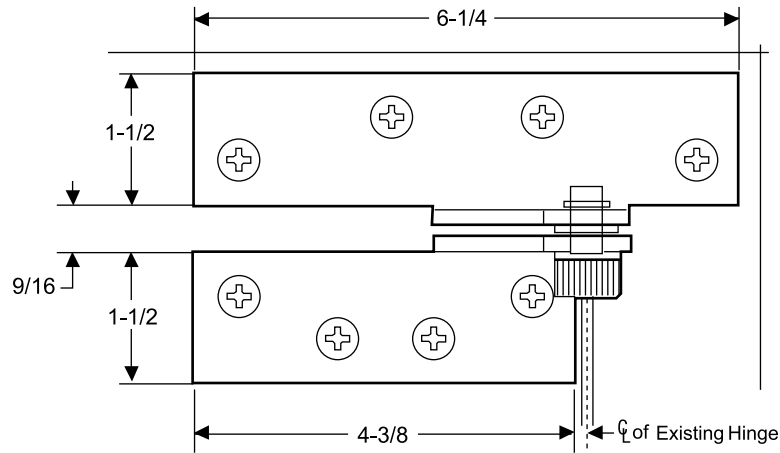
Swinging Door Hardware

DIMENSIONS

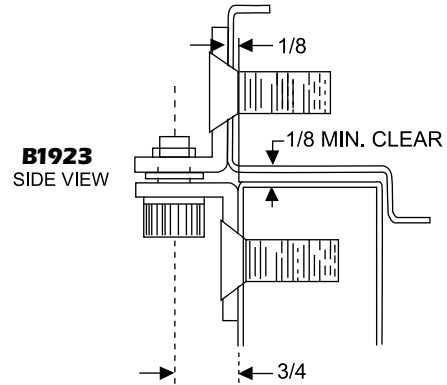
INCHES

Nominal, subject to tolerance extremes.

FRONT VIEW



Matches 4" hinge barrel centerline



Matches 4-1/2" hinge barrel centerline

HOW TO ORDER

Specify quantity and the following information.
Order related hardware separately.

STANDARD PACKAGE

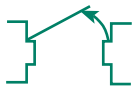
Comes complete with all necessary fasteners. Optional tamper-proof screw available. 10 pivots to a case.

PARTS AND ACCESSORIES

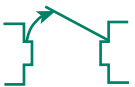
B-133 Large Oilite Bronze Bushing

P-133 Large Socket Head Pin and Washer

Handing Chart



LH-Left Hand
or
RHR-Right Hand Reverse



RH-Right Hand
or
LHR-Left Hand Reverse

Specify Model

B1921 4"
B1923 4-1/2"

B1921 - 01

Handing*

01 RH or LHR
02 LH or RHR

*All pivots are handed.
Please indicate swing
when ordering.