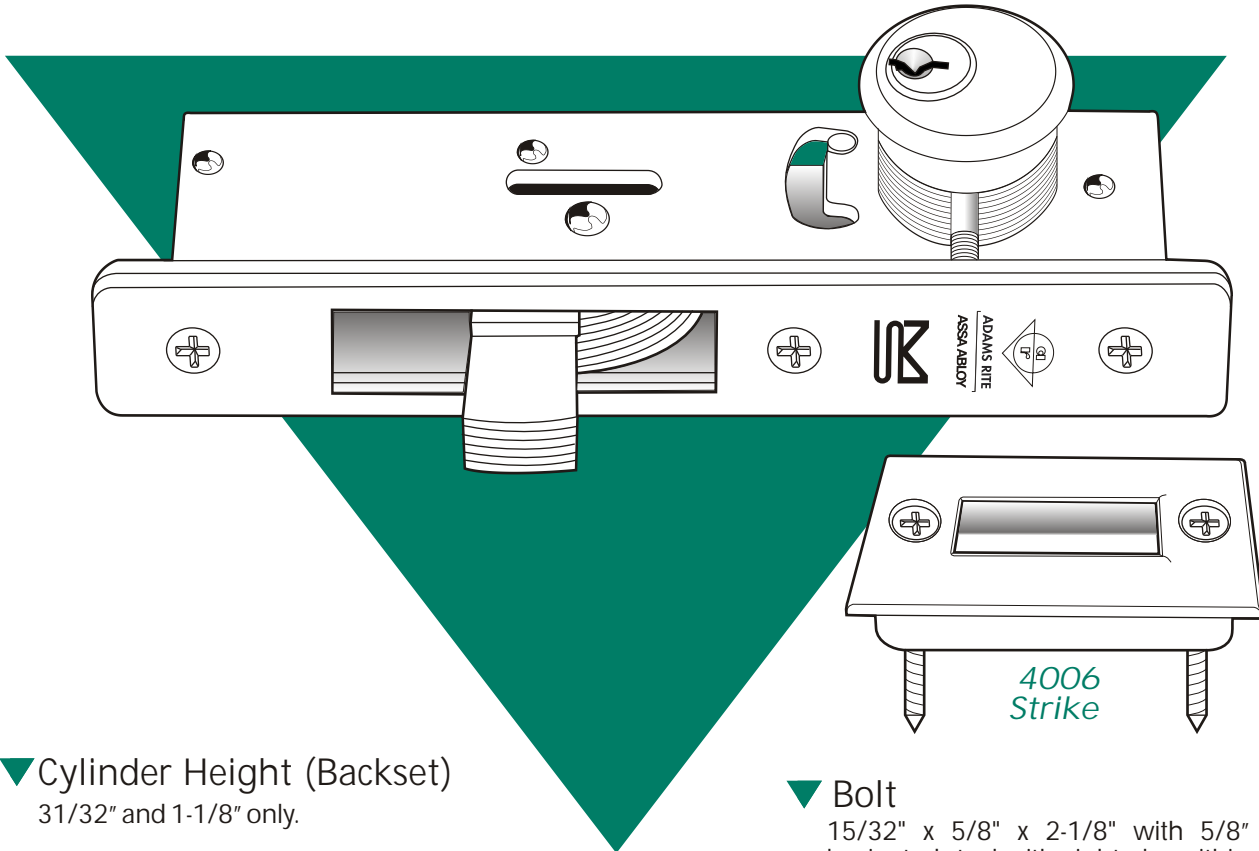


Bottom Rail Deadbolt Swing Bolt

For Full Glass (Frameless) Doors

1830

ANSI/BHMA Type E8211 (Grade 1)



▼ **Cylinder Height (Backset)**
31/32" and 1-1/8" only.

▼ **Case**
Steel with corrosion-resistant plating. 1" x 6" x depth. (Depth varies with cylinder height. See table on back page.)

▼ **Function**
For bottom rail locking of ultra-narrow stile or tempered glass doors whose bottom rail (shoe) is too shallow for the MS1861 (page SW-5). Mechanism is that of the MS1850A Deadbolt, but with the bolt size reduced. This keeps the threshold strike opening to a practical minimum, avoiding collection of debris or snagging of spike-heeled shoes. Armor faceplate protects cylinder setscrews from tampering and keeps them from loosening.

▼ **Bolt**
15/32" x 5/8" x 2-1/8" with 5/8" throw. Six ply laminated steel with eight plys within case. Center ply has Alumina-Ceramic core to deter hacksaw attack.

▼ **Strike**
See back page for dimensions of strike slot which can be cut in metal thresholds. 4006 strike (shown) is optionally available, with stainless steel trimplate and plastic box.

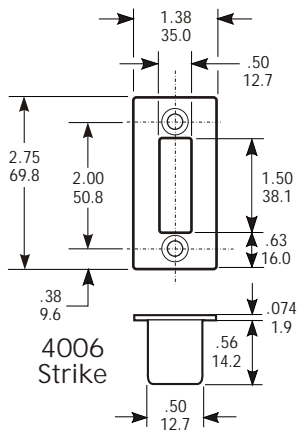
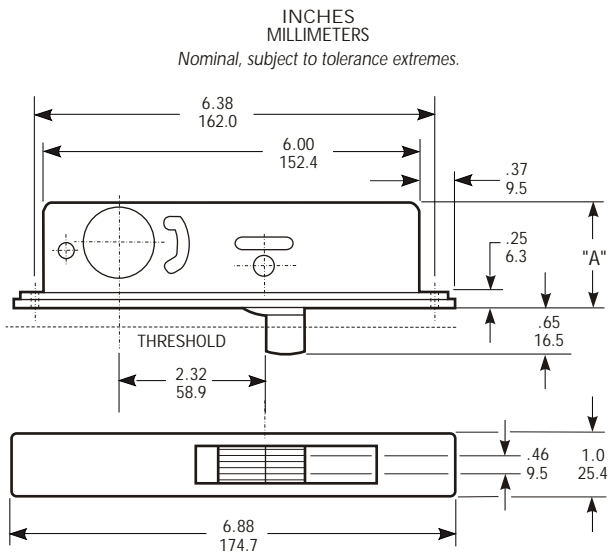
▼ **Operation**
360° turn of key or thumbturn throws or retracts the counterbalanced bolt. Key can be removed only when bolt is in a positively locked or unlocked position. Lock accepts any standard 1-5/32" mortise cylinder from either or both sides. Cylinder must have MS cam. (See page SW-35.)



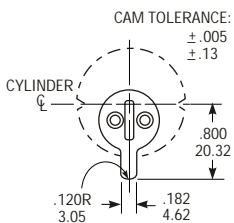
1830 Bottom Rail Deadbolt

Swing Bolt

DIMENSIONS



DASH NO.	CYLINDER HEIGHT	DIM. "A"
-02	31/32" 24.6	1.63 41.4
-03	1-1/8" 28.6	1.78 45.2



Cylinder Cam

1830 deadbolts are operable by any standard 1-5/32" diameter mortise cylinder with special MS[®] cam dimensioned as shown. Cylinders with MS cams can be readily obtained from most cylinder manufacturers. See page SW-35 for cylinder make and trim ring information.

HOW TO ORDER

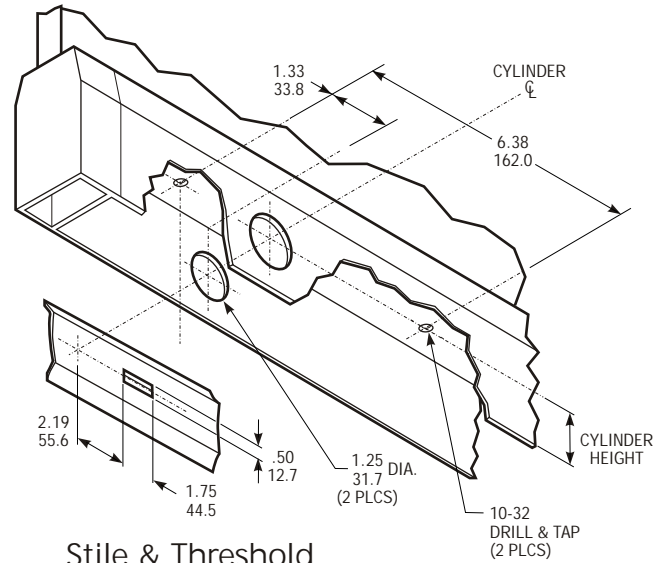
Specify quantity and the following information.
Order related hardware separately.



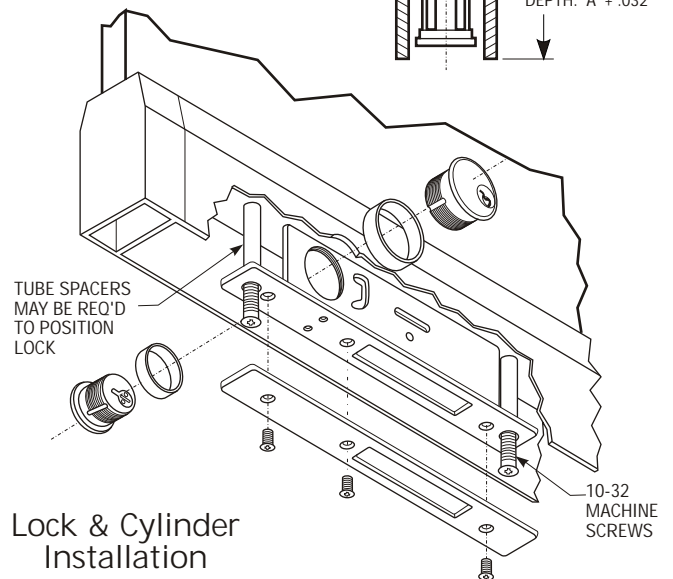
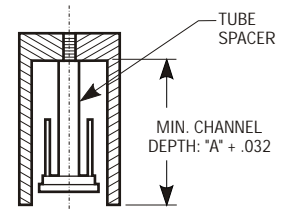
1830 - 02 - 628

Faceplate available in 628 Clear Anodized only.
Specify 4006 Strike separately if required.

INSTALLATION



Stile & Threshold Preparation



Lock & Cylinder Installation

OPTIONS

Specify either 31/32" or 1-1/8" cylinder height. Order 4006 strike and cylinder(s) separately if required.

STANDARD PACKAGE

Individually boxed with machine screws for mounting. Cylinders and/or thumbturn available at extra cost. Shipping weight: 1-1/2 lbs.