



Mortise Locksets

ML2000 Series



An ASSA ABLOY Group company

ASSA ABLOY



Quality

The ML2000 series is a Grade 1 mortise lock designed to meet the rigors of high-traffic commercial, institutional, industrial and government applications. Constructed of heavy-gauge steel, the lock body features our patented Quick Reversible latchbolt, and a 1" stainless steel deadbolt. A wide variety of trim designs and functions and a 5-year warranty lend to the ML2000's versatility and reliability, making it the ideal choice for use in offices, schools, hospitals, hotels and other high-use applications.

Security

Further discourage intrusion and abuse with the ML2000HS (High Security) or ML2000VR (Vandal Resistant) series mortise lock. Both locks feature vandal-resistant stainless steel escutcheons with tapered edges and torx® pin tamper resistant screws. When matched with Corbin Russwin's patented high-security Pyramid cylinders, any door can become a formidable barrier to intruders.

For classroom applications, first choice is the ML2072 Classroom Security function. This double cylinder function allows the door to be locked with a key from the inside, thus ensuring the safety of the people inside. In a panic situation the inside simultaneously unlocks the latchbolt and deadbolt while the outside lever remains locked, maintaining safety and security in the classroom.

Aesthetics

Complement any application with the full range of trim designs and finishes offered with ML2000 Series. From stainless steel security trims to bright brass Vineyard levers, design continuum can be achieved without forfeiting aesthetics. For additional information regarding designer trim, see the Corbin Russwin Vineyard Collection catalog.

Key Advantages

- Patented Quick Reversible feature enables reversal of hands without disassembling the lock case (Patent # 6,349,982)
- Security trims provide a vandal-resistant barrier
- Can be used with new or existing Corbin Russwin key systems, including patented high-security Pyramid cylinders. (Patent # 6,125,674) Also accepts cylinders of most other manufacturers.
- Provides life safety and security in a single door prep, saving the additional cost of a deadlock
- Through-bolted trim designs for proper alignment and increased security



Applications	2
Features	3
Functions	5
Trim Designs	8
High Security Series (HS)	30
Vandal Resistant Trim (VR)	31
Options and Accessories	32
How to Order	35
Quick Codes	36
How to Specify	37
Reversing Handing	39

This catalog can be found on the Internet at the Corbin Russwin website at: www.corbin-russwin.com

Features**Handing**

Handed; quick reversible. The lockset can be re-handed without disassembling the lock case; see page 39.

Door Thickness

1-3/4" (44mm) standard.
Optional door thicknesses available; see Quick Codes, page 36.

Backset

2-3/4" (70mm).

Lockcase

Heavy-gauge chrome plated steel,
5-7/8" (149mm) x 4" (102mm) x
15/16" (24mm).
Optional: non-ferrous lockcase for
corrosion resistance; see Quick Codes,
page 36.

Front

Heavy-gauge steel, 8" (203mm) x 1-1/4"
(32mm) x 3/32" (2mm). Accommodates
flat doors and doors beveled 1/8" (3mm)
in 2" (51mm). Furnished 1-1/16" (27mm)
wide for 1-3/8" (35mm) doors.

Armored Front

Wrought brass or bronze, attached by
machine screws to lockcase front.
ML2000HS & ML2000VR utilizes
security torx® screws.

Latchbolt

2-piece mechanical with anti-friction insert,
5/8" (16mm) x 1" (25mm) x 3/4" (19mm)
throw.

Auxiliary Latchbolt

9/16" (14mm) effective throw and 3/8"
(10mm) effective auxiliary latch
deadlocking.

Deadbolt

One-piece stainless steel, 19/32" (15mm)
x 1-1/4" (32mm) x 1" (25mm) throw.

Hub

Knob: stainless steel, 9/32" (7mm) x 9/32"
(7mm).

Lever: steel, 5/16" (8mm).

Ⓜ 3/8" (10mm) stainless steel.

Ⓜ 5/16" (8mm) stainless steel.

Spacing

C. to c. knob/lever to cylinder: 3-5/8"
(92mm).

C. to c. knob/lever to thumbturn: 2-7/16"
(62mm).

Strike

Wrought brass or bronze, ANSI straight
lip standard, 4-7/8" (124mm) x 1-1/4"
(32mm) x 1-1/8" (29mm) lip to center.
Optional strikes, lip lengths and ANSI
wrought strike box available; see
Quick Codes, page 36.

Cylinder

Brass, 6-pin, L4 keyway, 0-bitted standard.
Brass, fixed 6-pin security cylinder, L4
keyway standard for ML2000HS.
Optional cylinders available; see
Quick Codes, page 36.

Keys

Two nickel silver standard.

Keying Features Available

Master keying
Construction master keying
Visual keycontrol
Concealed keycontrol
Plug only to show (concealed shell)
7-pin cylinder
Security cylinder
Pyramid cylinder
Interchangeable core (IC)
Security IC
Pyramid IC
Master ring cylinder
Block out cylinder
Flex head cylinder

Warranty

Five-year limited.

Ⓜ Indicates ML2000HS (High Security) availability.

Ⓜ Indicates ML2000VR (Vandal Resistant) availability.

Certification/Compliance

ANSI

Meets A156.13 Series 1000, Operational and Security Grade 1.

Meets A117.1 Accessibility Code.

Federal

Meets FF-H-106C.

UL /ULC-UL10C Positive Pressure

All locks listed for A label and lesser class doors, 4' (122cm) x 10' (305cm) single or 8' (244cm) x 10' (305cm) pair.

Letter F and UL symbol on armored front indicate listing.

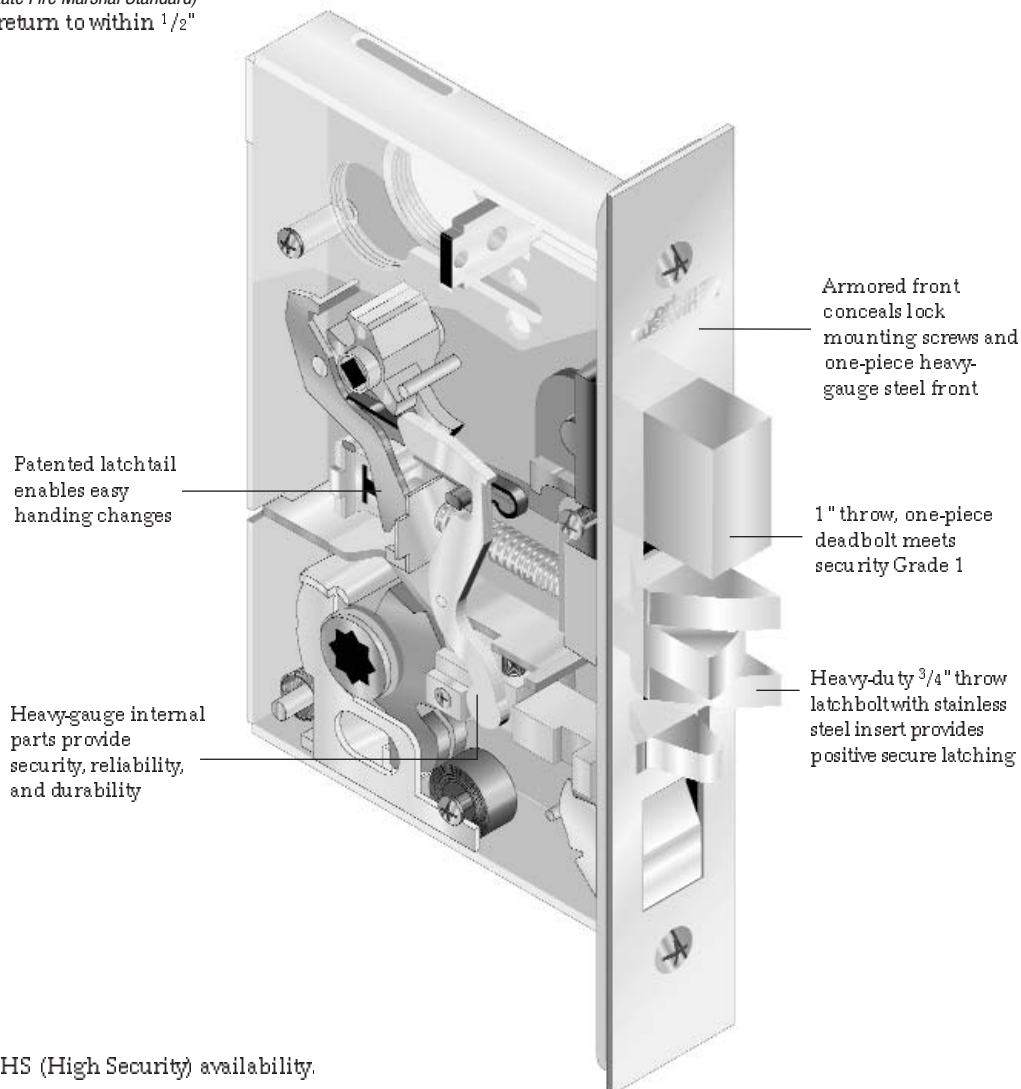
California State Reference Code

(Formerly Title 19, California State Fire Marshal Standard)

All levers with returns, return to within 1/2" (13mm) of door face.

Finishes

BHMA 605	Bright Brass (HS)
BHMA 606	Satin Brass (HS)
BHMA 611	Bright Bronze (HS)
BHMA 612	Satin Bronze (HS)
BHMA 613	Dark Oxidized Satin Bronze, oil rubbed (HS)
BHMA 625	Bright Chromium Plated (HS)
BHMA 626	Satin Chromium Plated (HS)
BHMA 629	Bright Stainless Steel
BHMA 630	Satin Stainless Steel (VR)



(HS) Indicates ML2000HS (High Security) availability.

(VR) Indicates ML2000VR (Vandal Resistant) availability.

Mortise Locksets ML2000 Series

Functions

Outside	Inside	Series/ Function	Type	ANSI No. Series 1000	Function Description
		ML2011 VR	Deadlock	F18	- Deadbolt by key outside. - No inside operation.
		ML2012 VR	Deadlock	F16	- Deadbolt by key either side.
		ML2013 HS VR	Classroom	F17	- Deadbolt by key outside or by thumbturn lever inside.
		ML2017 VR	Classroom Deadlock	—	- Deadbolt by key outside. - Thumbturn lever inside retracts deadbolt only; will not project deadbolt.
		ML2010 HS VR	Passage or Closet	F01	- Latchbolt by grip either side. - Both grips always free.
		ML2020 HS VR	Privacy Bedroom or Bathroom	F02	- Latchbolt by grip* either side. - Deadbolt by thumbturn lever inside or by emergency release tool outside. - Non-panic release.
		ML2022 HS VR	Store Door	F14	- Latchbolt by grip* either side. - Deadbolt by key either side. - Non-panic release.
		ML2024 HS VR	Entrance or Storeroom	F21	- Latchbolt by grip* either side. - Deadbolt by key outside or by thumbturn lever inside. - Non-panic release.
		ML2029 HS VR	Hotel or Motel	F15	- Latchbolt by grip inside and by guest key or master key outside. - Outside grip always rigid. - Deadbolt by thumbturn lever inside or by emergency key outside. (ML2029) - Inside grip simultaneously retracts latchbolt and deadbolt. (ML2029) - Emergency key shuts out all other keys. (ML2029) - Emergency key throws deadbolt, shutting out all other keys and preventing exit from inside. (ML2029HS) - Auxiliary latch deadlocks latchbolt.

HS Indicates function availability in ML2000HS.

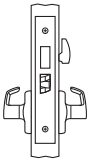
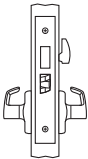
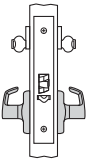
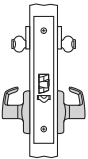
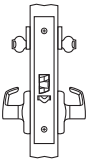
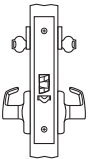
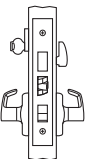
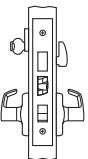
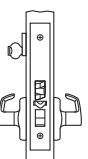
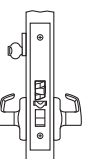
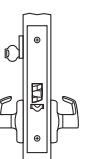
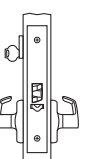
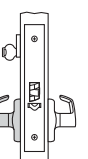
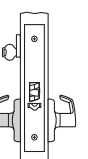


VR Indicates function available in Vandal Resistant Trim.

* When lever handles are furnished, both outside and inside are locked when deadbolt is projected.

Indicates rigid grip.

Mortise Locksets ML2000 Series

Functions

Outside	Inside	Series/ Function	Type	ANSI No. Series 1000	Function Description
		ML2030 ⓂHS ⓂVR	Privacy Bedroom or Bathroom	F19	<ul style="list-style-type: none"> - Latchbolt by grip either side. - Deadbolt by thumbturn lever inside or by emergency release tool outside. - Inside grip simultaneously retracts latchbolt and deadbolt.
		ML2032 ⓂHS ⓂVR	Institution or Utility	—	<ul style="list-style-type: none"> - Latchbolt by key either side. - Both grips always rigid. - Auxiliary latch deadlocks latchbolt.
		ML2042 ⓂHS ⓂVR	Entrance or Public Restroom	F09	<ul style="list-style-type: none"> - Latchbolt by grip either side, unless outside grip is locked by master key** from inside. - Latchbolt by key outside or by grip inside. - Auxiliary latch deadlocks latchbolt. - Inside grip always free.
		ML2048 ⓂHS ⓂVR	Entrance or Apartment	F10	<ul style="list-style-type: none"> - Latchbolt* by key outside or by grip either side, unless outside grip is locked by toggle-action stop. - Deadbolt by key outside or by thumbturn lever inside. - Inside grip always free. - Non-panic release.
		ML2051 ⓂHS ⓂVR	Entrance or Office	F04	<ul style="list-style-type: none"> - Latchbolt by key outside or by grip either side, unless outside grip is locked by toggle-action stop. - Auxiliary latch deadlocks latchbolt. - Inside grip always free.
		ML2055 ⓂHS ⓂVR	Classroom	F05	<ul style="list-style-type: none"> - Latchbolt by grip either side, unless outside grip is locked by key outside. - Auxiliary latch deadlocks latchbolt. - Inside grip always free.
		ML2057 ⓂHS ⓂVR	Storeroom or Closet	F07	<ul style="list-style-type: none"> - Latchbolt by grip inside or by key outside. - Outside grip always rigid. - Auxiliary latch deadlocks latchbolt. - Inside grip always free.
		ML2060	Privacy	F22	<ul style="list-style-type: none"> - Latchbolt by grip either side, except when outside is locked by thumbturn inside. - Operating inside grip, closing door or operating emergency key outside unlocks outside grip.



Indicates rigid grip.

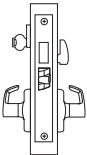
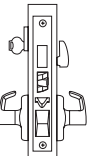
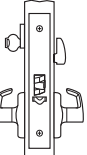
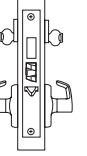
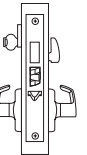
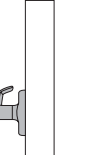
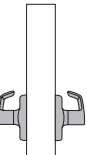
* When lever handles are furnished, both outside and inside are locked when deadbolt is projected.
** When so specified, change key will be furnished to operate inside cylinder.


ⓂHS Indicates function availability in ML2000HS.

ⓂVR Indicates function available in Vandal Resistant trim.

ML2000 Series Mortise Locksets

Functions

Outside	Inside	Series/ Function	Type	ANSI No. Series 1000	Function Description
		ML2065 Ⓜ Ⓜ	Dormitory or Entrance	F13	<ul style="list-style-type: none"> - Latchbolt by grip either side. - Deadbolt by key outside or by thumbturn lever inside. - Inside grip simultaneously retracts latchbolt and deadbolt.
		ML2067 Ⓜ Ⓜ	Apartment or Dormitory	F20	<ul style="list-style-type: none"> - Latchbolt by grip either side, unless outside grip is locked by toggle-action stop or by projection of deadbolt. - Deadbolt by key outside or by thumbturn lever inside. - Inside grip simultaneously retracts latchbolt and deadbolt; outside grip remains locked. - Auxiliary latch deadlocks latchbolt.
		ML2069 Ⓜ Ⓜ	Institutional Privacy	—	<ul style="list-style-type: none"> - Latchbolt by grip either side, except when outside is locked by thumbturn inside. - Operating inside grip or closing door unlocks outside grip. - Key outside retracts latch at all times, even if thumbturn is held in locked position. - Auxiliary latch deadlocks latchbolt.
		ML2072 Ⓜ Ⓜ	Classroom Security	—	<ul style="list-style-type: none"> - Latchbolt by lever from either side unless outside lever is locked by projection of deadbolt. - Deadbolt thrown by key from either side. - Inside lever simultaneously retracts latchbolt and deadbolt; outside lever remains locked. - Retracting latchbolt by key unlocks outside lever. - Auxiliary latch deadlocks latchbolt.
		ML2075 Ⓜ Ⓜ	Classroom Security	—	<ul style="list-style-type: none"> - Latchbolt by lever from either side unless outside lever is locked by projection of deadbolt. - Deadbolt thrown by outside key or inside thumbturn. - Inside lever simultaneously retracts latchbolt and deadbolt; outside lever remains locked. - Retracting latchbolt by key unlocks outside lever. - Auxiliary latch deadlocks latchbolt.
		ML2050	Half Dummy Trim	—	<ul style="list-style-type: none"> - Grip acts as pull only; no operation.
		ML2070	Full Dummy Trim	—	<ul style="list-style-type: none"> - Grips act as pulls only; no operation.

 Indicates rigid grip.

Ⓜ Indicates function availability in ML2000HS (High Security).

Ⓜ Indicates function availability in ML2000VR (Vandal Resistant).



Lustra

Complies with codes requiring lever to return to within 1/2" (13mm) of door face. Brass, bronze or stainless steel.



LWA

Lever: Wrought
Rose: Wrought

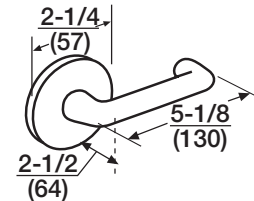
LWB

Lever: Wrought
Rose: Cast



LSA

Lever: Cast
Rose: Wrought



LSB

Lever: Cast
Rose: Cast

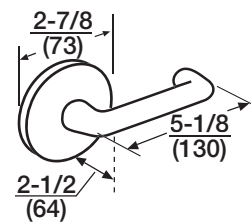


LWF

Lever: Wrought
Rose: Cast

LSF

Lever: Cast
Rose: Cast



* Dimensions:
inches
millimeters

ML2000 Series Mortise Locksets

Trim Designs

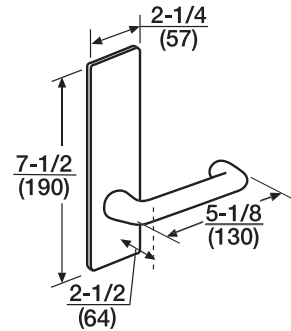


LWM

Lever: Wrought
Escutcheon: Wrought
Optional: Plug only to show; master ring

LSM

Lever: Cast
Escutcheon: Wrought
Optional: Plug only to show; master ring

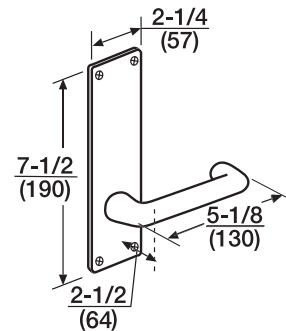


LWN

Lever: Wrought
Escutcheon: Wrought

LSN

Lever: Cast
Escutcheon: Wrought

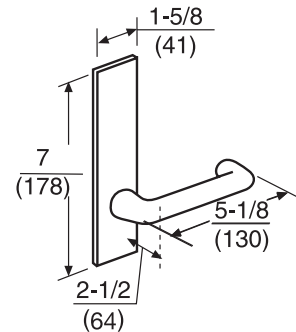


LWP

Lever: Wrought
Escutcheon: Wrought

LSP

Lever: Cast
Escutcheon: Wrought

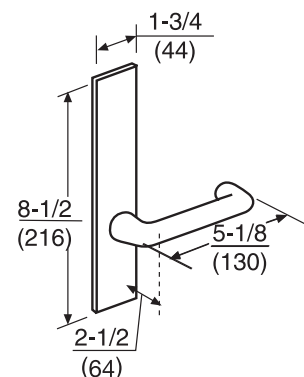


LSR

Lever: Cast
Escutcheon: Wrought stainless steel;
forged brass
Optional: Plug only to show
Door thickness: 1-3/8" (35mm),
1-3/4" (44mm), 2-1/4" (57mm)

LWR

Lever: Wrought
Escutcheon: Cast
Optional: Plug only to show
Door thickness: 1-3/8" (35mm),
1-3/4" (44mm), 2-1/4" (57mm)





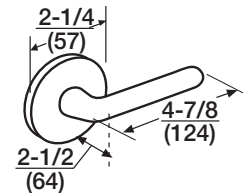
Regis

Brass, bronze or stainless steel



RWA

Lever: Wrought
Rose: Wrought

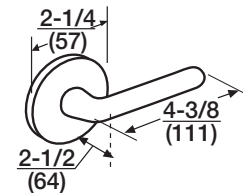


RWB

Lever: Cast
Rose: Wrought

RSA

Lever: Cast
Rose: Wrought



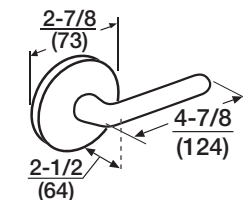
RSB

Lever: Cast
Rose: Cast



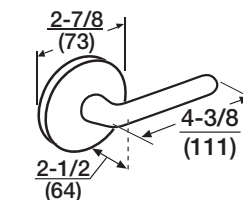
RWF

Lever: Wrought
Rose: Cast



RSF

Lever: Cast
Rose: Cast



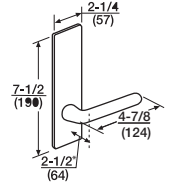
Mortise Locksets ML2000 Series

Trim Designs



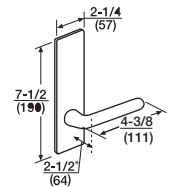
RWM

Lever: Wrought
Escutcheon: Wrought
Optional: Plug only to show; master ring
Door thickness: 1³/₈" (35mm),
1³/₄" (44mm), 2¹/₄" (57mm)



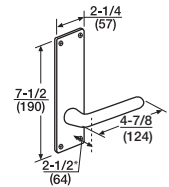
RSM

Lever: Cast
Escutcheon: Wrought
Optional: Plug only to show; master ring
Door thickness: 1³/₈" (35mm),
1³/₄" (44mm), 2¹/₄" (57mm)



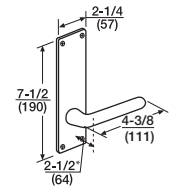
RWN

Lever: Wrought
Escutcheon: Wrought
Door thickness: 1³/₈" (35mm),
1³/₄" (44mm), 2¹/₄" (57mm)



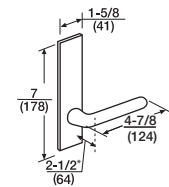
RSN

Lever: Cast
Escutcheon: Wrought
Door thickness: 1³/₈" (35mm),
1³/₄" (44mm), 2¹/₄" (57mm)



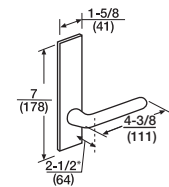
RWP

Lever: Wrought
Escutcheon: Wrought
Door thickness: 1³/₈" (35mm),
1³/₄" (44mm), 2¹/₄" (57mm)



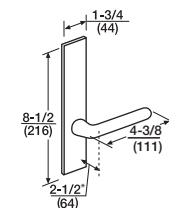
RSP

Lever: Cast
Escutcheon: Wrought
Door thickness: 1³/₈" (35mm),
1³/₄" (44mm), 2¹/₄" (57mm)



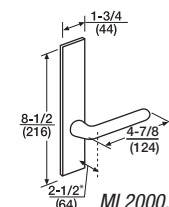
RWR

Lever: Wrought
Escutcheon: Cast
Optional: Plug only to show
Door thickness: 1³/₈" (35mm),
1³/₄" (44mm), 2¹/₄" (57mm)



RSR

Lever: Cast
Escutcheon: Cast bronze or stainless steel; forged brass
Optional: Plug only to show
Door thickness: 1³/₈" (35mm),
1³/₄" (44mm), 2¹/₄" (57mm)





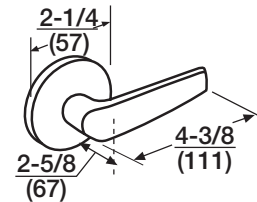
Citation

Brass, bronze or stainless steel



CSA

Lever: Cast
Rose: Wrought



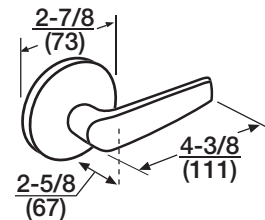
CSB

Lever: Cast
Rose: Cast



CSF

Lever: Cast
Rose: Wrought



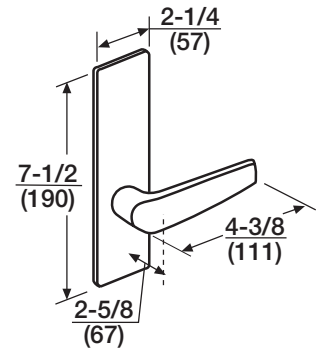
ML2000 Series Mortise Locksets

Trim Designs



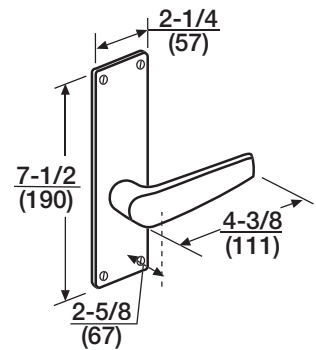
CSM

Lever: Cast
Escutcheon: Wrought
Optional: Plug only to show; master ring



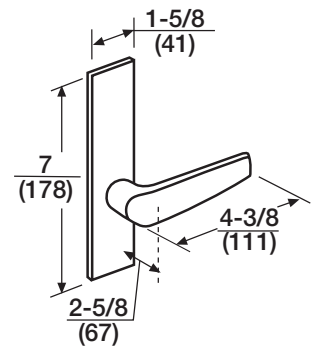
CSN

Lever: Cast
Escutcheon: Wrought



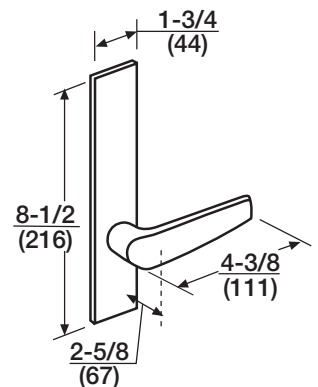
CSP

Lever: Cast
Escutcheon: Wrought



CSR

Lever: Cast
Escutcheon: Wrought stainless steel; forged brass
Optional: Plug only to show
Door thickness: 1-3/8" (35mm), 1-3/4" (44mm), 2-1/4" (57mm)





Newport

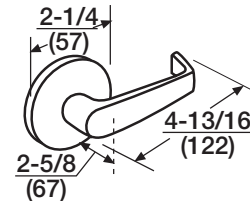
Complies with codes requiring lever to return to within 1/2" (13mm) of door face.

Brass, bronze or stainless steel



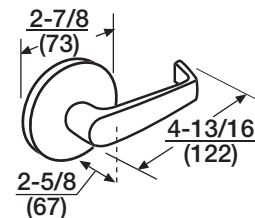
NSA

Lever: Cast
Rose: Wrought



NSF

Lever: Cast
Rose: Cast



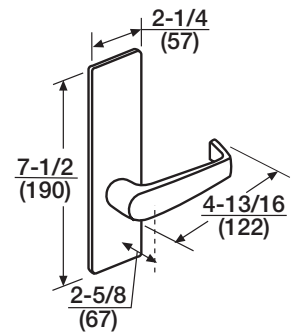
ML2000 Series Mortise Locksets

Trim Designs



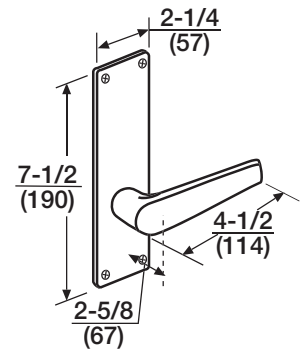
NSM

Lever: Cast
Escutcheon: Wrought
Optional: Plug only to show; master ring



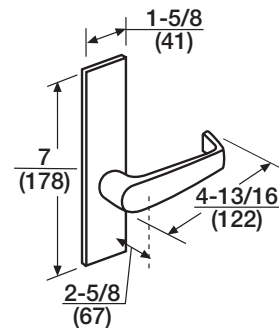
NSN

Lever: Cast
Escutcheon: Wrought



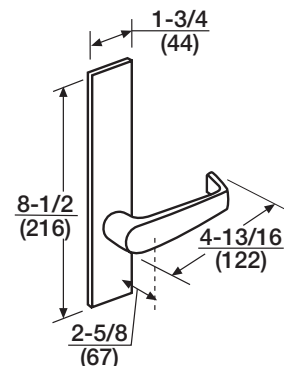
NSP

Lever: Cast
Escutcheon: Wrought



NSR

Lever: Cast
Escutcheon: Wrought stainless steel; forged brass
Optional: Plug only to show
Door thickness: 1-3/8" (35mm), 1-3/4" (44mm), 2-1/4" (57mm)





Armstrong

Brass, bronze or stainless steel



ASA

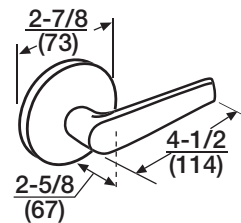
Lever: Cast
Rose: Wrought

ARMSTRONG
ML2000



ASF

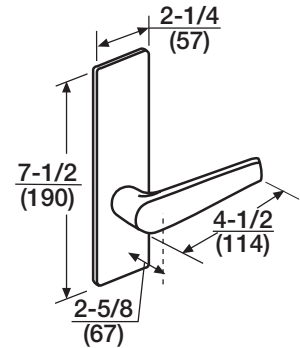
Lever: Cast
Rose: Wrought





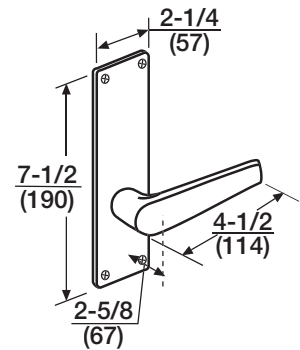
ASM

Lever: Cast
Escutcheon: Wrought
Optional: Plug only to show; master ring



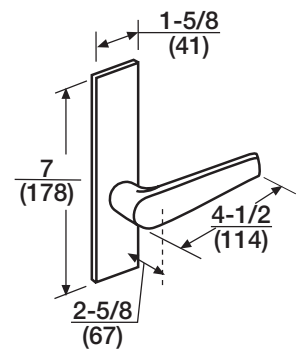
ASN

Lever: Cast
Escutcheon: Wrought



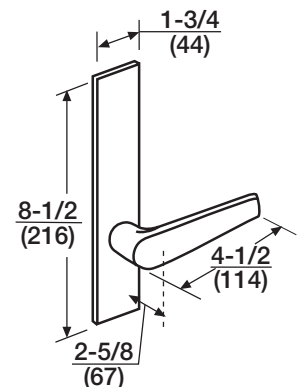
ASP

Lever: Cast
Escutcheon: Wrought



ASR

Lever: Cast
Escutcheon: Wrought stainless steel; forged brass
Optional: Plug only to show
Door thickness: 1-3/8" (35mm), 1-3/4" (44mm), 2-1/4" (57mm)





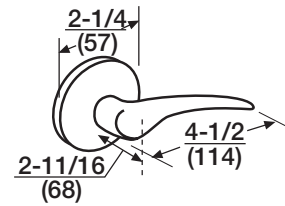
Dirke

Brass, bronze or stainless steel
Not reversible



DSA

Lever: Cast
Rose: Wrought
Specify hand



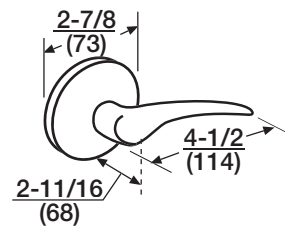
DSB

Lever: Cast
Rose: Cast
Specify hand



DSF

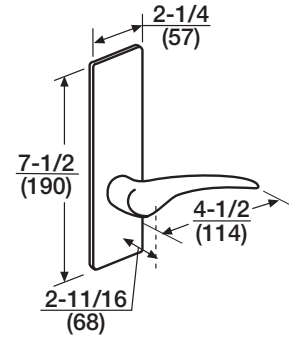
Lever: Cast
Rose: Cast
Specify hand





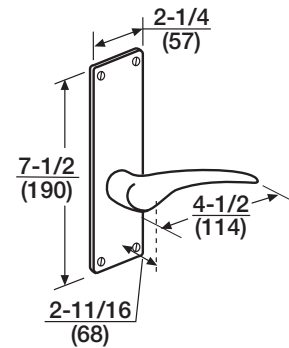
DSM

Lever: Cast
Escutcheon: Wrought
Optional: Plug only to show; master ring
Specify hand



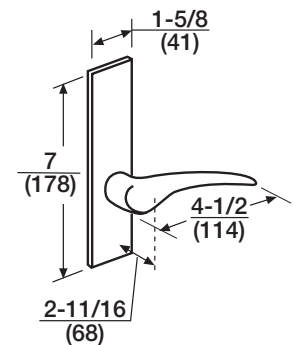
DSN

Lever: Cast
Escutcheon: Wrought
Specify hand



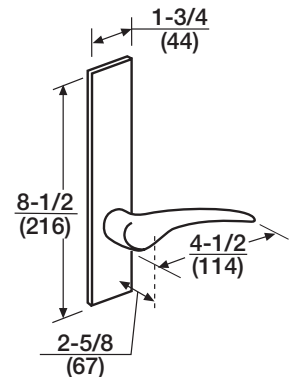
DSP

Lever: Cast
Escutcheon: Wrought
Specify hand



DSR

Lever: Cast
Escutcheon: Wrought stainless steel; forged brass
Optional: Plug only to show
Door thickness: 1-3/8" (35mm), 1-3/4" (44mm), 2-1/4" (57mm)
Specify hand





Essex

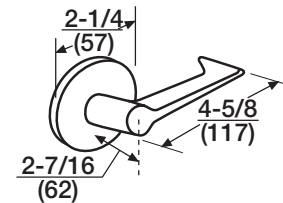
Complies with codes requiring lever to return to within 1/2" (13mm) of door face.

Brass, bronze or stainless steel



ESA

Lever: Cast
Rose: Wrought



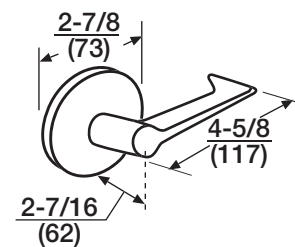
ESB

Lever: Cast
Rose: Cast



ESF

Lever: Cast
Rose: Cast



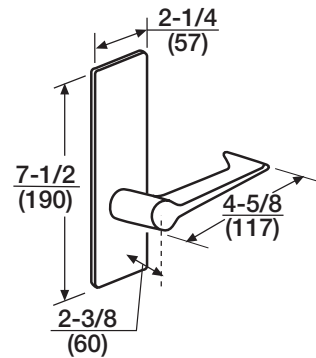
ML2000 Series Mortise Locksets

Trim Designs



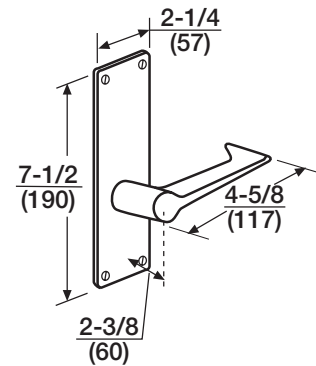
ESM

Lever: Cast
Escutcheon: Wrought
Optional: Plug only to show; master ring



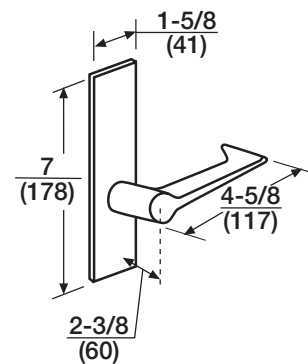
ESN

Lever: Cast
Escutcheon: Wrought



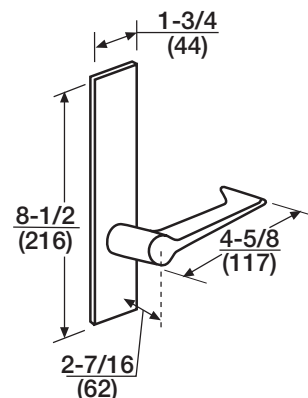
ESP

Lever: Cast
Escutcheon: Wrought



ESR

Lever: Cast
Escutcheon: Wrought or stainless steel; forged brass
Optional: Plug only to show
Door thickness: 1-3/8" (35mm), 1-3/4" (44mm), 2-1/4" (57mm)





Princeton

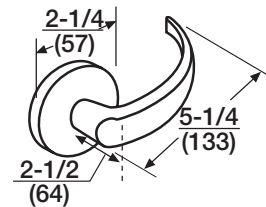
Complies with codes requiring lever to return to within 1/2" (13mm) of door face.

Brass, bronze or stainless steel



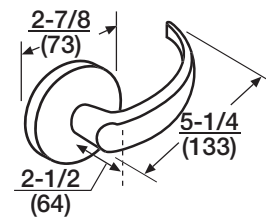
PSA

Lever: Cast
Rose: Wrought



PSB

Lever: Cast
Rose: Cast



PSF

Lever: Cast
Rose: Cast

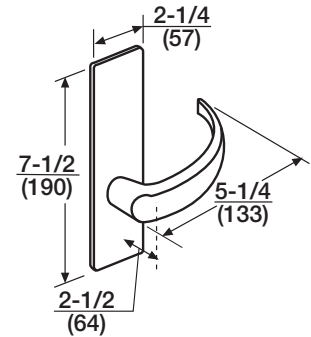
ML2000 Series Mortise Locksets

Trim Designs



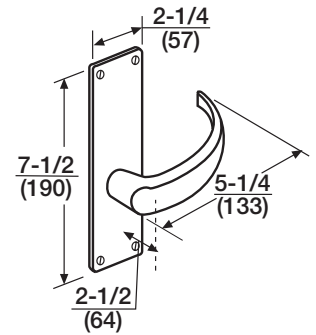
PSM

Lever: Cast
Escutcheon: Wrought
Optional: Plug only to show; master ring



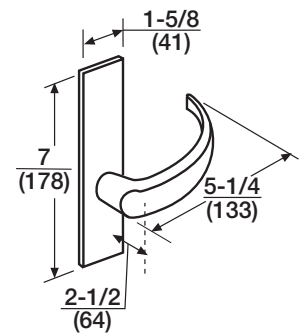
PSN

Lever: Cast
Escutcheon: Wrought



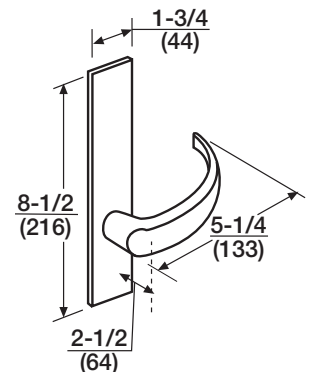
PSP

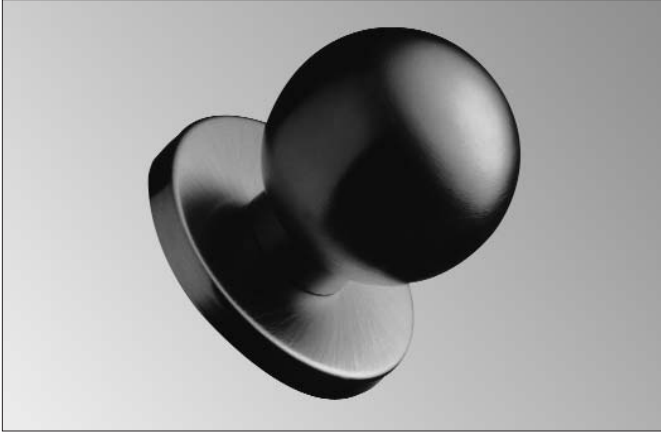
Lever: Cast
Escutcheon: Wrought



PSR

Lever: Cast
Escutcheon: Wrought or stainless steel; forged brass
Optional: Plug only to show
Door thickness: 1-3/8" (35mm), 1-3/4" (44mm), 2-1/4" (57mm)





Global

Brass, bronze or stainless steel

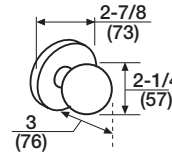


GRC

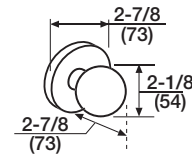
Knob: Wrought reinforced
Rose: Wrought reinforced

GWC

Knob: Wrought
Rose: Wrought reinforced



GRC



GWC

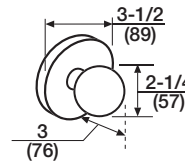


GRD

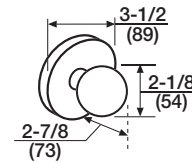
Knob: Wrought reinforced
Rose: Wrought reinforced

GWD

Knob: Wrought
Rose: Wrought reinforced



GRD



GWD

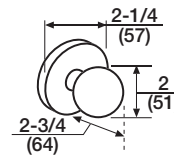


GSA

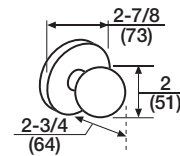
Knob: Cast
Rose: Wrought

GSF

Knob: Cast
Rose: Cast



GSA



GSF

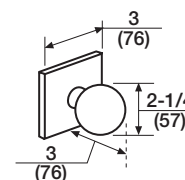


GRE

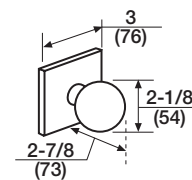
Knob: Wrought reinforced
Rose: Wrought reinforced

GWE

Knob: Wrought
Rose: Wrought reinforced



GRE



GWE

ML2000 Series Mortise Locksets

Trim Designs



GRM*

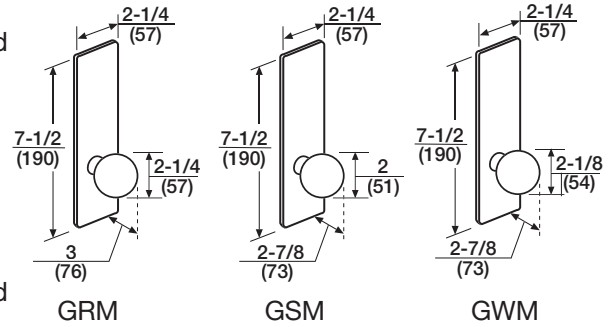
Knob: Wrought reinforced
Escutcheon: Wrought

GSM*

Knob: Cast
Escutcheon: Wrought

GWM*

Knob: Wrought reinforced
Escutcheon: Wrought



GRN

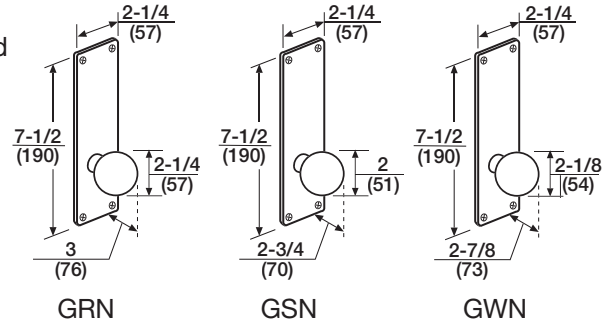
Knob: Wrought reinforced
Escutcheon: Wrought

GSN

Knob: Cast
Escutcheon: Wrought

GWN

Knob: Wrought
Escutcheon: Wrought



GRP

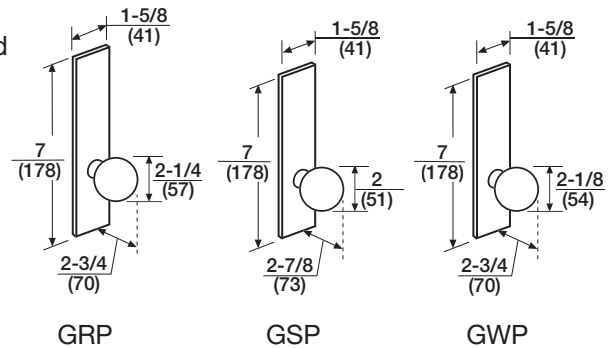
Knob: Wrought reinforced
Escutcheon: Wrought

GSP

Knob: Cast
Escutcheon: Wrought

GWP

Knob: Wrought
Escutcheon: Wrought



GSR*†

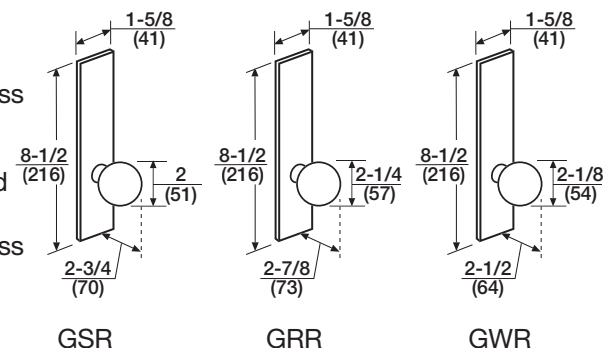
Knob: Cast
Escutcheon: Wrought
stainless steel; forged brass

GRR*†

Knob: Wrought reinforced
Escutcheon: Wrought
stainless steel; forged brass

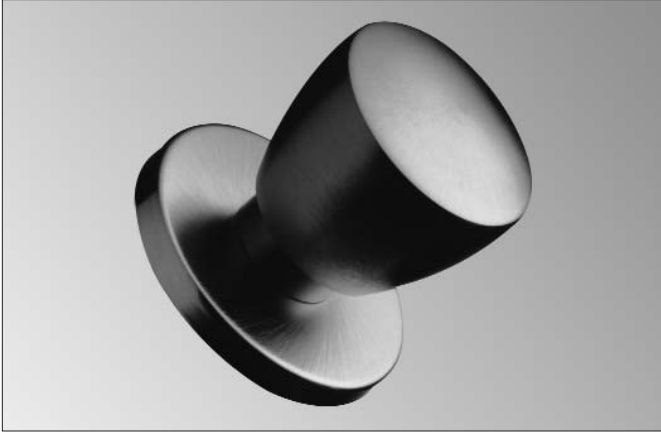
GWR*†

Knob: Wrought
Escutcheon: Wrought
stainless steel; forged brass



* Optional: Plug only to show

† Door thickness: 1-3/8" (35mm), 1-3/4" (44mm), 2-1/4" (57mm)



Belmont

Brass, bronze or stainless steel

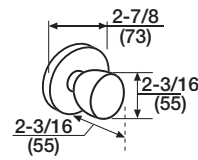


BRC

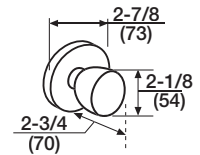
Knob: Wrought reinforced
Rose: Wrought reinforced

BWC

Knob: Wrought
Rose: Wrought reinforced



BRP



BWP

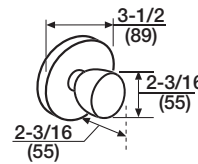


BRD

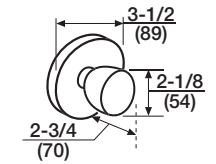
Knob: Wrought reinforced
Rose: Wrought reinforced

BWD

Knob: Wrought
Rose: Wrought reinforced



BRD



BWD

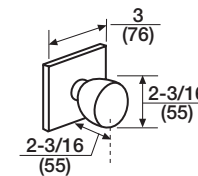


BRE

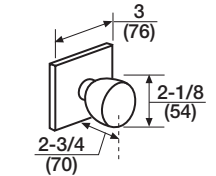
Knob: Wrought reinforced
Rose: Wrought reinforced

BWE

Knob: Wrought
Rose: Wrought reinforced



BRE



BWE

ML2000 Series Mortise Locksets

Trim Designs

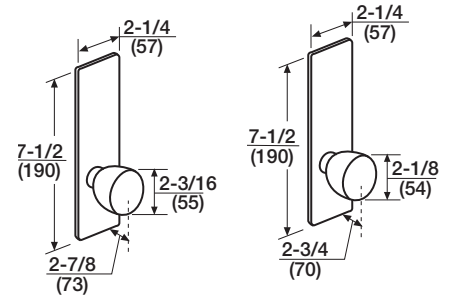


BRM*

Knob: Wrought reinforced
Escutcheon: Wrought

BWM*

Knob: Wrought
Escutcheon: Wrought



BRM

BWM

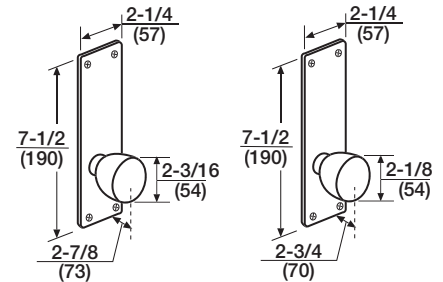


BRN

Knob: Wrought reinforced
Escutcheon: Wrought

BWN

Knob: Wrought
Escutcheon: Wrought



BRN

BWN

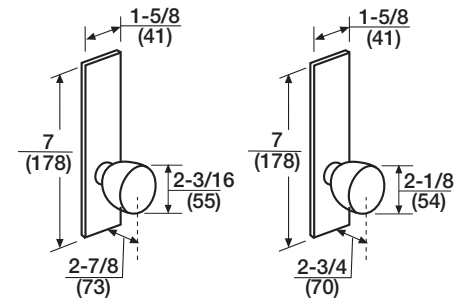


BRP

Knob: Wrought reinforced
Escutcheon: Wrought

BWP

Knob: Wrought
Escutcheon: Wrought



BRP

BWP

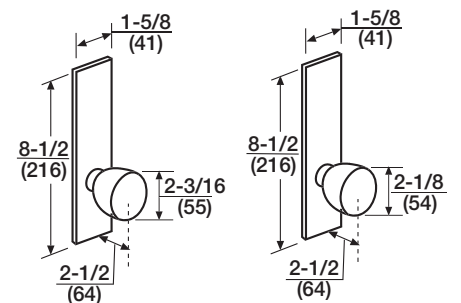


BRR*†

Knob: Wrought reinforced
Escutcheon: Wrought

BWR*†

Knob: Wrought
Escutcheon: Wrought



BRR

BWR

* Optional: Plug only to show

† Door thickness: 1-3/8" (35mm), 1-3/4" (44mm), 2-1/4" (57mm)



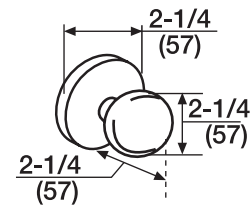
Yankee

Brass, bronze or stainless steel



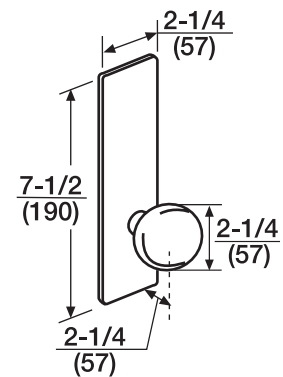
YWA

Knob: Wrought
Rose: Wrought



YWM

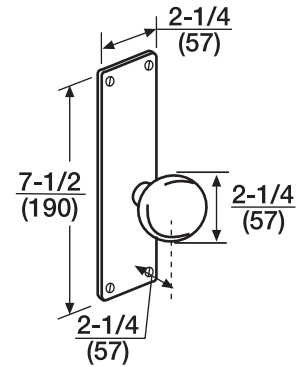
Knob: Wrought
Escutcheon: Wrought
Optional: Plug only to show; master ring





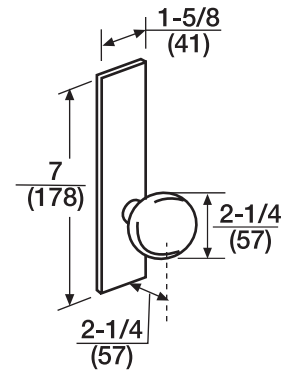
YWN

Knob: Wrought
Rose: Wrought



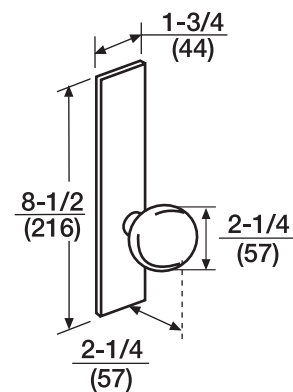
YWP

Knob: Wrought
Escutcheon: Wrought



YWR

Knob: Wrought
Escutcheon: Wrought stainless steel or forged brass
Optional: Plug only to show
Door thickness: 1-3/8" (35mm), 1-3/4" (44mm), 2-1/4" (57mm)



Applications

Designed for high-traffic commercial, industrial, institutional and government buildings that require a greater degree of security than traditional mortise trim provide. Applications may include:

- Computer rooms
- Hospital pharmacies
- Banks
- Storage facilities
- Government installations
- Prisons and detention facilities
- Evidence rooms
- Weapons storage

Advantages

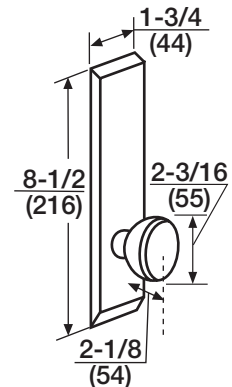
- Flush-mounted security fixed core cylinder with pick-resistant interlocking pins. Optional cylinders available.
- Cast escutcheons and knobs, double through-bolted
- Security screws
- Armored front to protect against tampering
- 1" throw 1-piece stainless steel deadbolt
- Stainless steel hubs
- Five-year limited warranty

**Surety**

Brass or bronze

SST

Knob: Cast stainless steel
Escutcheon: Cast stainless steel
Optional: Blank inside escutcheon
Door thickness: 1-3/4" (44mm),
2" (51mm), 2-1/4" (57mm)



Note: This is the only trim that is available on the ML2000HS. It is not available on the standard ML2000 lockset.

Applications

Designed for high-traffic commercial, industrial, institutional and government buildings that require a greater degree of security and vandal resistance not found on other mortise trims. Applications may include:

- Schools and universities
- Computer rooms
- Hospital pharmacies

- Banks
- Storage facilities
- Government installations
- Prisons and detention facilities
- Evidence rooms
- Weapons storage

Advantages

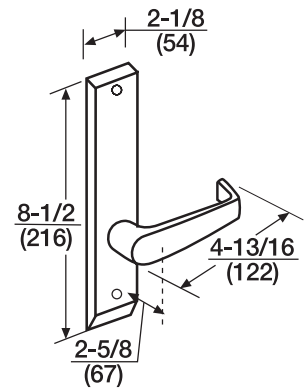
- Flush-mounted conventional fixed core cylinder
- Cast escutcheons and levers; double through-bolted
- Torx® pin tamper resistant security screws
- Armored front to protect against tampering
- Free-floating spindle self-adjusts for door thicknesses from 1-3/4" to 2-1/4"
- Levers remain attached if spindle is broken



Newport

NSV

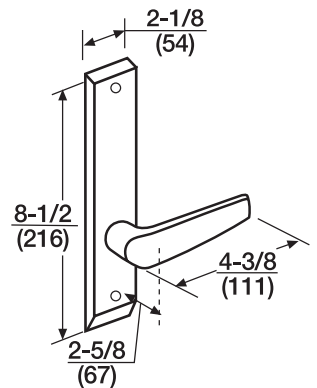
Lever: Cast stainless steel
Escutcheon: Cast, stainless steel
Door thickness: Spindles self-adjusting, 1-3/4" (44mm) to 2-1/4" (57mm) standard

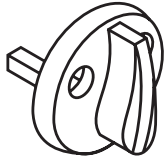


Citation

CSV

Lever: Cast stainless steel
Escutcheon: Cast stainless steel
Door thickness: Spindles self-adjusting, 1-3/4" (44mm) to 2-1/4" (57mm) standard





Thumbturn Lever

Cast brass or bronze
Standard on functions utilizing thumbturn.
Turn Size: 1-1/4" (32mm)
Spindle Size: 3/16" (5mm)
Plate Size: 1-3/8" (35mm) diameter
Surface screw mounted
To order separately, see table.

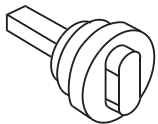
Door	Packet
1-3/8" (35mm)	519F09 x Finish
1-3/4" (44mm)	519F10 x Finish
2-1/4" (57mm)	519F11 x Finish
Up to 3" (76mm)	519F12 x Finish
Up to 4" (102mm)	581F96 x Finish



Key Plate

Cast brass or bronze
Standard for privacy function with emergency release only.

Plate Size: 1-3/8" (35mm) diameter
To order separately, specify Packet 438F90 x Finish.



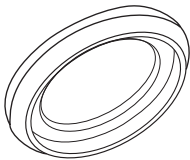
Occupancy Indicators

For use with hotel locks.
Furnished only when ordered.
When door is locked from inside, push button cannot be depressed, indicating that the room is occupied.
To order, see Quick Codes, page 36.

For use with sectional trim designs having 2-7/8" (73mm) maximum rose diameter.
Cylinder collar and indicator combined.

Size: 3-1/16" (78mm) x 1-3/4" (44mm)
To order separately, see table.
For use with escutcheon designs only.
Indicator is fastened to escutcheon at factory. It is included for illustration purposes only and is not sold separately.

Door	Packet
1-3/8" (35mm)	429F08 x Finish
1-3/4" (44mm)	416F84 x Finish
2-1/4" (57mm)	484F74 x Finish



Tapered Cylinder Collar

Furnished standard with all cylinder lengths greater than 1-1/8" (29mm). VR trims only.

ML2000 Series Mortise Locksets

Options and Accessories

Cylinders

Conventional (standard for ML2000)

Security (standard for ML2000HS)

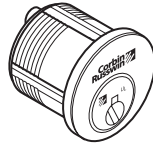
Pyramid (optional)

IC

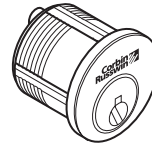
2 nickel silver keys

Finishes: See Key Systems and Pyramid.

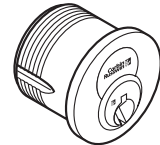
Pyramid
(Fixed Core)



Conventional
(Fixed Core)



Interchangeable Core
(I.C.)



Pyramid
Shown

Mortise Cylinder Type	Hotel Function	55, 69 & 42 (Inside) Function	All Other Keyed Functions
ⓂⓋ Pyramid PHS	N/A	1020-114-A02	1020-114-A01
ⓂⓋ Pyramid PCHS	N/A	1030-114-A02	1030-114-A01
ⓂⓋ Conventional 6-pin	1001-114-A01	1000-118-A02	1000-118-A01
ⓂⓋ 7-pin	N/A	1000-114-A02-7	1000-114-A01-7
ⓂⓋ 6-pin IC	1081-138-A01	1080-114-A02	1080-114-A01
ⓂⓋ 7-pin IC	N/A	1080-112-A02-7	1080-112-A01-7
ⓂⓋ Security IC	1091-138-A01	1090-114-A02	1090-114-A01
ⓂⓋ Security	1011-114-A01	1010-118-A02	1010-118-A01
Flex head	1101-118-A01	1100-100-A02	1100-100-A01
Flex head 7-pin	N/A	1100-118-A02-7	1100-118-A01-7
Master ring**	N/A	1060-118-A62	1060-118-A65*
Master ring flex head**	N/A	1160-100-A62	1160-100-A65*
ⓂⓋ Blockout	N/A	1012-114-A02	1012-114-A01
Plug only to show (concealed shell)	1201-114-A01	1200-118-A02	1200-118-A01
Plug only to show 7-pin (concealed shell)	N/A	1200-114-A02-7	1200-114-A01-7

For complete Pyramid information and options refer to Pyramid catalog.

To order optional cylinder with lockset, see Quick Codes, page 36.

To order cylinder separately, specify Part No. x Keyway x Finish (e.g., 1000-118-A01 x L4 x 626).

Ⓜ Indicates cylinder is available with ML2000HS lockset.

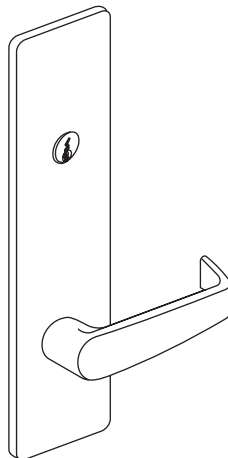
Ⓥ Indicates function is available with vandal resistant ML2000VR lockset.

* Deadbolt functions require A61 cam.

** Not available for ML2017, ML2029, ML2032, ML2000HS or ML2000VR.

Plug only to show (concealed shell)

Only the cylinder plug face is visible when lock trim is in place. Available with "M", "R", and "L" escutcheons. See individual trim designs for availability. To order, see How to Order, page 35.



ML2000 Series Mortise Locksets

Options and Accessories

Strikes

ANSI Straight Lip (standard)

Brass or bronze

Non-handed

4⁷/₈" (124mm) x 1¹/₄" (32mm) x 1¹/₈" (29mm) lip to center

Optional lip lengths: 7⁷/₈" (22mm), 1¹/₄" (32mm), 1³/₈" (35mm), 1¹/₂" (38mm), 1³/₄" (44mm), 2" (51mm), 2¹/₄" (57mm), 2¹/₂" (64mm), 2³/₄" (70mm), 3" (76mm)

ANSI Curved Lip

Brass or bronze

Handed

4⁷/₈" (124mm) x 1¹/₄" (32mm) x 1¹/₄" (32mm) lip to center

Optional lip lengths: 1³/₈" (35mm), 1¹/₂" (38mm), 1³/₄" (44mm), 2" (51mm), 2¹/₄" (57mm), 2¹/₂" (64mm), 2³/₄" (70mm), 3" (76mm)

ANSI Wrought Strike Box

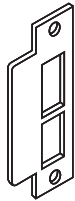
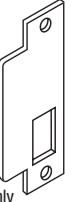


To order with lockset, see Quick Codes, page 36.

To order separately, specify 120F76.



Open Back

Size: 5¹/₄" (133mm) x 1¹/₄" (32mm).

	Part No.	Description
 Latchbolt x Deadbolt	236L72	Straight Lip
	340L60	Curved Lip for RH
	340L61	Curved Lip for LH
 Latchbolt Only	236L73	Straight Lip
	340L62	Curved Lip for RH
	340L63	Curved Lip for LH
 Deadbolt Only	236L74	Straight Lip
 Blank Filler Plate	236L70	Straight Lip

Hand	Door Thickness	Part
LHR	1-3/4" (44mm)	411L63 016
	2" (51mm)	411L63 018
	2 1/4" (57mm)	411L63 020
RHR	1-3/4" (44mm)	411L62 016
	2" (51mm)	411L62 018
	2 1/4" (57mm)	411L62 020

To order with lockset, see Quick Codes, page 36.

To order separately, specify Part No. x Door Thickness x Finish (e.g., 411 L62 x 2" x 626).



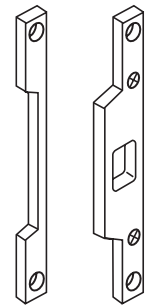
Rabbeted Front and Strike

Brass or bronze

For 1/2" (13mm) rabbet

No optional lip lengths

	Part No.	Hand
Latchbolt x deadbolt	318F66	RH/LHR
	318F69	LH/RHR
Latchbolt only	318F64	RH/LHR
	318F67	LH/RHR
Deadbolt only	318F65	RH/LHR
	318F68	LH/RHR



To order strike with lockset, see How to Order, page 35.

To order strike separately, specify Part No. x Lip Length x Finish (e.g., 340L60 x 1-1/2" x 626).

To order with lockset, see Quick Codes, page 36.

To order separately, specify Part No. x Finish (e.g., 318F66 x 626).

Ordering Examples

Stock Order

Quantity	Series/Function	Trim	Finish	Hand
100	ML2055	LWA	626	RHR
50	ML2055HS	SST	626	LHR

Where to find ordering information and Quick Codes

Series / Function	Pages	5-7
Trim Designs	Pages	8-31
Cylinder and Keying	Page	36
Finish	Page	36
Handing	Page	36
Strikes	Page	36
Door Thickness	Page	36
Miscellaneous Options	Page	36

Split Trim / Finish Order

Quantity	Series/Function	Trim		Finish		Hand
		Outside	Inside	Outside	Inside	
12	ML2055	LWA	GRC	626	625	RHR
6	ML2055HS	SST	--	626	625	LHR

Contract / Detailed Order

Quantity	Keyset	Series/Function	Trim	Finish	Hand	Door Thickness	Optional Strike	Misc. Options	Optional Cylinder	Keying
24	AA1	ML2055	LWA	626	RHR	D214	SA200	M17-M26	C7	VKC3
12	AA1	ML2055HS	SST	626	LHR	D214	SS200	M07	C6	VKC1
6	AA1	ML2055VR	NSV	630	RH	D214	SS114	M17	PCHS	VKC1

Working Trim Only (Includes grip and spindle, rose or escutcheon, thumbturn lever, emergency key plate, adapters and screws)

Quantity	Function Only	Trim	Finish	Hand	Door Thickness	Misc. Options
6	ML2055	LWA	626	RHR	D214	M31
3	ML2055HS	SST	626	LHR	D214	M31
1	ML2055VR	NSV	630	RH	D214	M31

Lock Only (Includes lock case, armored front, strike and screw pack)

Quantity	Series/Function	Trim*	Finish	Hand	Door Thickness	Optional Strike	Misc. Options
6	ML2055	LL	626	RHR	D138	SS078	M17
3	ML2055HS	KK	626	LHR	D214	SA200	M29

*TRIM KEY

- KK Knob x Knob
- LL Lever x Lever
- LK Lever x Knob
- KL Knob x Lever
- HL Lever Inside Only
- HK Knob Inside Only

Cylinder and Keying

Description	Specify
Conventional 6-pin (HS VR)	(standard)
Conventional 7-pin (HS VR)	7P
Less cylinder(s) (HS VR)	LC
Security (ML2000HS standard) (HS VR)	
Security IC (HS VR)	CHS
IC 6-pin (HS VR)	C6
IC 6-pin with temporary construction core (HS VR)	CT6
IC 6-pin less core (HS VR)	CL6
IC 7-pin (HS VR)	C7
IC 7-pin with temporary construction core (HS VR)	CT7
IC 7-pin less core (HS VR)	CL7
Pyramid Fixed Core (HS VR)	PHS
Pyramid IC (HS VR)	PCHS
Pyramid with temporary construction core (HS VR)	CTP
Pyramid less core (HS VR)	CLP
Master ring*	MR
Blockout function cylinder (HS VR)	BO
Flex head cylinder, 6-pin (sectional trim)	FX6
Flex head cylinder, 7-pin (sectional trim)	FX7
Flex head cylinder, master ring (sectional trim)	FXM
Plug only to show, 6-pin (concealed shell; M and R escutcheons only, single cylinder only)	PO6
Plug only to show, 7-pin (concealed shell; M and R escutcheons only, single cylinder only)	PO7
0-bitted with 2 blank keys	(standard)
Keyed random (HS VR)	KR
Construction master keyed (HS VR) (not available for Pyramid)	CMK
Visual key control (HS VR)	VKC0
- No keying data stamped on key or cylinder	
- Keys only	VKC1
- Cylinders and keys (not for HS, CHS, PHS or PCHS)	VKC2
- Cylinders only (not for HS, CHS, PHS or PCHS)	VKC3
Concealed key control (CKC) (HS VR)	
- CKC cylinders with VKC keys	CKC2
- CKC cylinders only (not for PHS or PCHS)	CKC3
2 keys per lock	(standard)
More than 2 keys	KY# (e.g., KY6)

*Not available for ML2017, ML2029 or ML2032, ML2000HS or ML2000VR.

(HS) Indicates cylinder is available with ML2000HS lockset

(VR) Indicates availability with ML200VR lockset

ML2000.36

Finish

Description	Specify
US3 Bright Brass (HS)	605
US4 Satin Brass (HS)	606
US9 Bright Bronze (HS)	611
US10 Satin Bronze (HS)	612
US10B Dark Oxidized Satin Bronze, oil rubbed (HS)	613
US26 Bright Chromium Plated (HS)	625
US26D Satin Chromium Plated (HS)	626
US32 Bright Stainless Steel	629
US32D Satin Stainless Steel (VR)	630

Handing

Hand	Specify
Right Hand	RH
Left Hand	LH
Right Hand Reverse	RHR
Left Hand Reverse	LHR

Miscellaneous Options

Description	Specify
Spanner head screws	M02
Torx® head screws (not available for "N" escutcheon trims (Standard for ML2000 HS and VR optional for other trims) (HS VR)	M04
Blank Escutcheon Inside (HS VR) (only available for ML2000HS and VR, not available for ML2000)	M07
ANSI wrought strike box (HS VR)	M17
Occupancy indicator	M19
*Knurling outside and inside (VR)	M20
*Knurling outside only (VR)	M21
*Knurling inside only (VR)	M22
*Abrasive coat outside and inside (VR)	M23
*Abrasive coat inside only (VR)	M24
*Abrasive coat outside only (VR)	M25
Non-ferrous lockcase	M26
Lead-wrapped case (HS VR)	M29
Half trim (for ML2030, ML2010, ML2020, ML2024, ML2022, ML2055, ML2057 only) (Supplied with inside trim only. Includes cylinder)	M30
Working trim only (HS VR)	M31
Latch hold back (for ML2042, ML2055, ML2051, ML2057 only)	LHB**

*Not available with Vineyard Collection levers.

**Must use A02 cam when LHB is specified

Door Thickness

Door Thickness	Sectional Trim - Specify	Escutcheon* Trim - Specify
1-3/8" (35mm)**	D138	D138
1-3/4" (44mm)(HS VR)	(standard)	(standard)
1-7/8" (48mm)	D178	N/A
2" (51mm)(HS VR)	D200	N/A
2-1/8" (54mm)	D218	N/A
2-1/4" (57mm)(HS VR)	D214	D214
23/8" (60mm)	D238	D238
21/2" (64mm)	D212	D212
25/8" (67mm)	D258	D258
23/4" (70mm)	D234	D234
27/8" (73mm)	D278	D278
3" (76mm)	D300	D300
31/8" (79mm)	D318	D318
31/4" (83mm)	D314	D314
33/8" (86mm)	D338	D338
31/2" (89mm)	D312	D312
35/8" (92mm)	D358	D358
33/4" (95mm)	D334	D334
37/8" (98mm)	D378	D378
4" (102mm)	D400	D400

*For 2-3/8" (60mm) to 4" (102mm) door thickness:

throughbolts and thumbturn lever spindle for 4" door will be provided; may be field cut. "R" & "L" escutcheons only available 1-3/8" (35mm), 1-3/4" (44mm), and 2-1/4" (57mm).

**1-1/8" (29mm) front standard for 1-3/8" (35mm) door.

(VR) Vandal Resistant trim accommodates doors 1-3/4" (44mm) to 2-1/4" (57mm). Door thicknesses other than 1-3/4" (19mm) must be specified.

Strikes

Available for ML2000HS and ML2000VR

ANSI Lip to Center	ANSI Straight Lip Specify	Curved Lip Specify
7/8" (22mm)	SS078	N/A
1-1/8" (29mm)	(standard)	N/A
1-1/4" (32mm)	SS114	SA114
1-3/8" (35mm)	SS138	SA138
1-1/2" (38mm)	SS112	SA112
1-3/4" (44mm)	SS134	SA134
2" (51mm)	SS200	SA200
2-1/4" (57mm)	SS214	SA214
2-1/2" (64mm)	SS212	SA212
2-3/4" (70mm)	SS234	SA234
3" (76mm)	SS300	SA300
Open Back Strike	Door Thickness	Specify
	1-3/4" (44mm)	SB134
	2" (51mm)	SB200
	2-1/4" (57mm)	SB214

Rabbeted front and strike – Specify SR118

Suggested Specification

All locksets shall be ML2000 Series Mortise Locksets as manufactured by Corbin Russwin Architectural Hardware.

Locks shall have all functions available in one size case, manufactured from heavy-gauge steel, minimum thickness 3/32" (2mm), chrome plated for corrosion resistance and lubricity of parts. The handing of all locks shall be reversible without the disassembly of the lockcase. Cases are to be closed on all sides to protect internal parts. Locks are to have adjustable, beveled and armored fronts, standard 2-3/4" (70mm) backset, a full 3/4" (19mm) throw two-piece mechanical anti-friction latchbolt, and a one-piece stainless steel 1" (25mm) throw deadbolt, and shall be available for a minimum door thickness of 1-3/8" (35mm). Internal parts shall be heavy-

gauge steel, zinc dichromate plated for corrosion resistance.

All locksets with latchbolts, regardless of trim, shall be listed by Underwriters Laboratories for A label and lesser class doors, 4' x 10' single or 8' x 10' pair.

Locksets to be used on specified exterior doors or doors subject to special atmospheric conditions (roofs, pool areas, chemical laboratories, sewage disposal plants, etc.) shall have non-ferrous lock cases and critical internal components.

Cylinder options shall include master ring, flexible head, concealed shell, interchangeable core, security, block outs and Pyramid types.

Lock trim (knob, lever, sectional or escutcheon) shall be throughbolted through the lockcase to ensure correct alignment and proper operation.

Certification:

UBC - 7 - 2(1997) and UL10C - Positive Pressure
Federal Specification FF-H-106G
ANSI A156.13 Series 1000, Grade 1
ANSI A117.1, Accessibility Code, 1989 (formerly Title 19, California State Fire Marshal Standard) (lever handle trim).

All locks, trim, and cylinders shall be from one manufacturer.

All locksets shall carry a five-year limited warranty.

ML2000 Series Mortise Locksets with Vandal Resistant Trim

Suggested Specification

All locksets shall be ML2000 Series Mortise Locksets as manufactured by Corbin Russwin Architectural Hardware.

Locks shall have all functions available in one size case, manufactured from heavy-gauge steel, minimum thickness 3/32" (2mm), chrome plated for corrosion resistance and lubricity of parts. The handing of all locks shall be reversible without the disassembly of the lockcase. Cases are to be closed on all sides to protect internal parts. Locks are to have adjustable, beveled and armored fronts, standard 2-3/4" (70mm) backset, a full 3/4" (19mm) throw two-piece mechanical anti-friction latchbolt, and a one-piece stainless steel 1" (25mm) throw deadbolt, and shall be available for a minimum door thickness of 1-3/4" (44mm). Internal parts shall be heavy-gauge steel, zinc dichromate plated for corrosion resistance.

High security escutcheon trim shall be cast (stainless) steel with tapered design top and bottom to resist forced entry,

excessive abuse and vandalism. Size to be 8-1/2" (216mm) high x 2-1/8" (54mm) wide x 5/16" (8mm) thick with double throughbolts and 2 post lugs to receive torx® pin tamper-resistant security screws through both escutcheons. Alignment posts shall be located over and under the spindle for rigidity and security and shall project through the lock case to ensure proper alignment. Escutcheons to accept cast levers (Newport or Citation) which accept free-floating spindles with a torque resistance of 700 inch lbs. Size of spindle to be 5/16" (8mm) and extend from both sides of the escutcheon. Levers will remain attached if spindle is broken. Lobular torx® pin drive self-tapping screws and lobular throughbolts furnished standard for vandal resistance.

Locksets that are to be used on specified exterior doors or doors subject to special atmospheric conditions (roofs, pool areas, chemical laboratories, sewage disposal plants, etc.) shall have non-ferrous lock cases and critical internal components.

Locksets to be furnished standard with conventional 6-pin fixed core cylinders. Optional cylinders shall include IC, block out, security and Pyramid. Furnish a tapered vandal-resistant cylinder collar where necessary.

Certification:

UBC - 7 - 2(1997) and UL10C - Positive Pressure
Federal Specification FF-H-106G
ANSI A156.13 Series 1000, Grade 1
ANSI A117.1, Accessibility Code, 1989 (formerly Title 19, California State Fire Marshal Standard) (lever handle trim).

All locks, trim, and cylinders shall be from one manufacturer.

All locksets shall carry a five-year limited warranty.

Suggested Specification

All locksets shall be ML2000HS Series High-Security Mortise Locksets as manufactured by Corbin Russwin Architectural Hardware.

Locks shall be manufactured from heavy-gauge steel, minimum thickness 3/32" (2mm), chrome plated for corrosion resistance and lubricity of parts. Cases are to be closed on all sides to protect internal parts. Locks are to have adjustable, beveled and armored fronts, standard 2-3/4" (70mm) backset, a full 3/4" (19mm) throw two-piece mechanical anti-friction latch bolt, and a one-piece stainless steel 1" (25mm) throw dead bolt. Internal parts shall be heavy-gauge steel, zinc dichromate plated for corrosion resistance.

High-security trim shall be cast brass or bronze, designed to resist forcible removal. Knobs shall have 3/8" (10mm) spindles on both sides and shall be attached to the escutcheons. Escutcheons shall be 8-1/2" (216mm) x 12-5/32" (45mm) x 3/8" (10mm) thick, having a 30° chamfer at top and bottom to resist forcible removal. Locksets shall be furnished with 4 through bolts and 2 post lugs to receive security screws through both escutcheons. Alignment posts shall be located over and under the knob spindle for rigidity and security, and shall project through the lockcase to ensure proper alignment. Cylinders shall be security type and shall be mounted flush with the escutcheon. All exposed screws shall be security type.

Certification:

UBC - 7 - 2(1997) and UL10C - Positive Pressure
Federal Specification FF-H-106G
ANSI A156.13 Series 1000, Grade 1
ANSI A117.1, Accessibility Code, 1989 (formerly Title 19, California State Fire Marshal Standard) (lever handle trim).

All locks, trim, and cylinders shall be from one manufacturer.

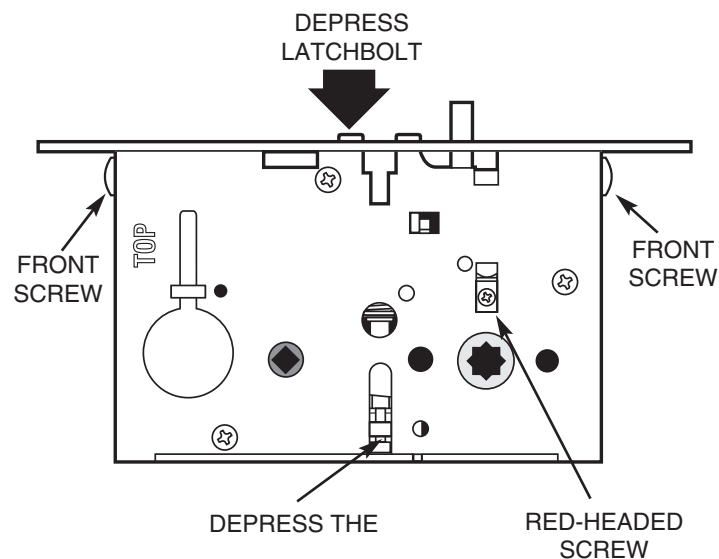
All locksets shall carry a five-year limited warranty.

Instructions for reversing the hand of the ML2000.

Please read completely before proceeding and review the drawing below.

MINIMAL FORCE IS REQUIRED TO REVERSE THE HANDING

1. Remove the armored front.
2. Remove the lockset from the door.
3. Fully depress the latchbolt and hold in the depressed position
4. With minimal force, depress the catchplate, located at the end of the latchtail, through the oblong cutout in the lockcase cap. While depressing the catch plate, release the latchbolt and remove the latch from the lock.
5. Turn the latchbolt over and reinstall into the lock.
6. Depress the latchbolt until it re-engages the tail socket. If necessary, depress the catchplate to assist re-engagement. Pull latchbolt to ensure proper engagement.
7. Remove the red-headed screw from the stopworks and screw it into the stopworks on the opposite side of the case.
8. Loosen front screws to change the bevel. Tighten front screws.
9. Reinstall the lock and armored front into the door.
10. If changing bevel (door swing) only, i.e. RH to RHR or LHR to LH, do only steps 1 through 9, skipping step 7.



For more information regarding Corbin Russwin Locksets,
Exit Devices, Door Controls and Key Systems, contact your
authorized Corbin Russwin Distributor or Sales Representative.



In U.S.:
Corbin Russwin, Inc.
1902 Airport Road
Monroe, NC 28110
Phone 800-543-3658
Fax 800-447-6714
www.corbin-russwin.com

In Canada:
Yale-Corbin Canada Ltd.
6940 Edwards Boulevard
Mississauga, ONT L5T 2W2
Phone 800-461-3007
Fax 800-461-8989
www.yalecorbin.on.ca

The ASSA ABLOY Group is the world's leading manufacturer and supplier of locking solutions, dedicated to satisfying end-user needs for security, safety and convenience.

Corbin Russwin and Design® is a registered trademark of Corbin Russwin, Inc. Copyright© 2001, 2003 Corbin Russwin, Inc. All rights reserved. These materials are protected under US copyright laws. All contents current at time of publication. Corbin Russwin, Inc. reserves the right to change availability of any item in this catalog, its design, construction, and/or its materials. Other products brand names may be trademarks or registered trademarks of their respective owners and are mentioned for reference purposes only.