



Grade 2  
Tubular  
Locksets

# **DORMA CL600 CK600**



**DORMA's CL600 and CK600 Series Grade 2 tubular locksets provide the security, aesthetics, and dependability required for many applications.**

These key-in-lever locksets are built with a tubular chassis for all applications where ANSI Standard A156.2 Series 4000 Grade 2 products are required. To meet the aesthetic needs of your project, these versatile locks are available in a range of lever and knob trim designs - choose between the LR, LC, or LG lever trim or the KR or KB knob trims.

**Recommended Applications**

- **Apartments**
- **Municipal Buildings**
- **Retail Complexes**
- **Offices**
- **Warehouses**
- **Multifamily Housing**

**CL600/CK600 Grade 2 Tubular Locksets**

Features . . . . . 2  
 Technical Details and Specifications . . . . . 3  
 How to Order . . . . . 4

**Functions**

Dummy Trim One Side – CL601, CK601 . . . . . 5  
 Passage – CL610, CK610 . . . . . 5  
 Privacy – CL640, CK640 . . . . . 5  
 Entry – CL651, CK651 . . . . . 5  
 Classroom – CL670, CK670 . . . . . 5  
 Storeroom – CL680, CK680 . . . . . 5

**Trim Designs**

CL600 LR Lever . . . . . 6  
 CL600 LC Lever . . . . . 6  
 CL600 LG Lever . . . . . 6  
 CK600 KR Knob . . . . . 7  
 CK600 KB Knob . . . . . 7

**Lock Options**

1/2" Throw Latch Bolt . . . . . 8  
 T-Strike . . . . . 8  
 Full Lip Strike . . . . . 8  
 4-7/8" Strike . . . . . 8

**Features**

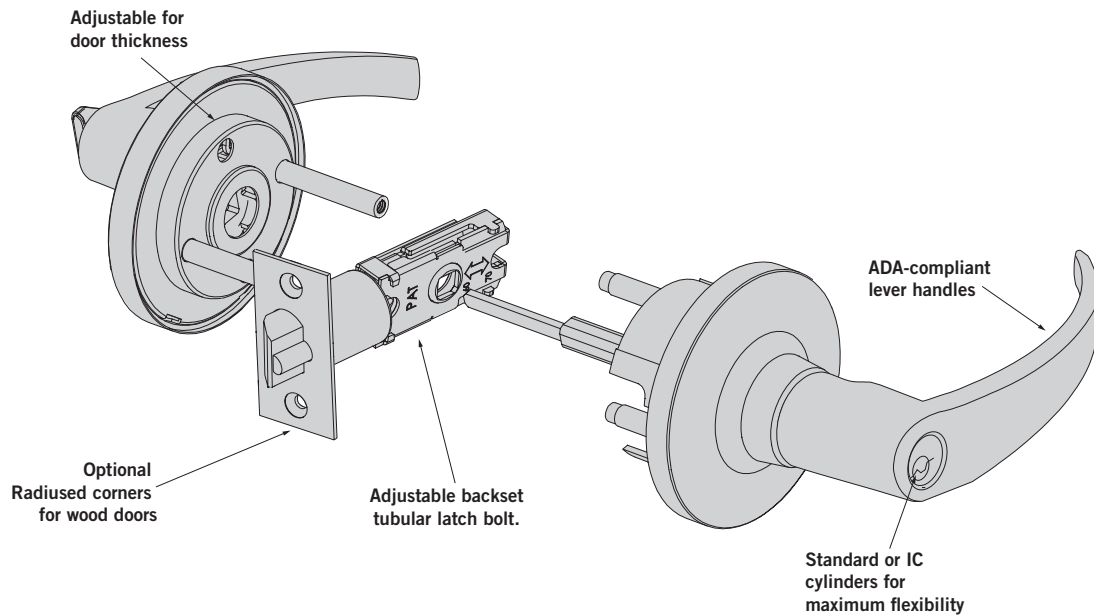
- All DORMA 600 Series locks feature advanced design concepts for reliability and are manufactured with select materials for extra durability.
- All 600 Series locks are easily adjustable to accommodate door thicknesses from 1-3/8" to 1-7/8" thick.
- DORMA 600 Series locks are easy to install in both wood or hollow metal doors with ANSI Standard A115 preparations for cylindrical locks.



The quality management systems at the Reamstown, PA and Steeleville, IL facilities are certified to ISO-9001:2000.\*



\*DORMA Door Controls Inc., dba: DORMA Architectural Hardware



**Technical Details:**

ANSI/BHMA A156.2 Series 4000, Grade 2	Yes	Heavy-duty residential Medium-duty commercial
U.L. listed for UL 10B/10C and UBC 7.2 (1997)	Yes	U.L. and C.U.L. listed for use on 3-hour fire-rated doors and for all positive pressure applications
Warranty	1-year	Comprehensive mechanical warranty
Non-handed	Yes	Simple installation
Lock chassis constructed of steel and pressure cast zinc components	Yes	Provides superior strength, durability and corrosion resistance
Auxiliary deadlocking latch bolt	Yes	Prevents manipulation when door is closed (all keyed functions)

**Certification:**

The DORMA CL600 and CK600 are U.L. and C.U.L listed, three hour fire rated. Locksets with 1/2" throw latch bolts are listed for A label and lesser class single doors, 4'0" x 10'0" maximum.

The DORMA CL600 and CK600 are certified to the requirements of ANSI A156.2 Series 4000 Grade 2. The CL600 meets A117.1 and ADA requirements for barrier-free accessibility.

California State Fire Marshall (CSFM) approved, California State Reference code, 1989 (formerly title 19).

**Cylinders and Keying:**

- Unless otherwise specified, cylinders will be provided in DORMA standard keyway with two (2) nickel silver keys.
- Refer to separate **DORMA Price List** for full details and options such as master keying and retrofit cylinders and keyways.

**Warranty:** One (1) year limited warranty.

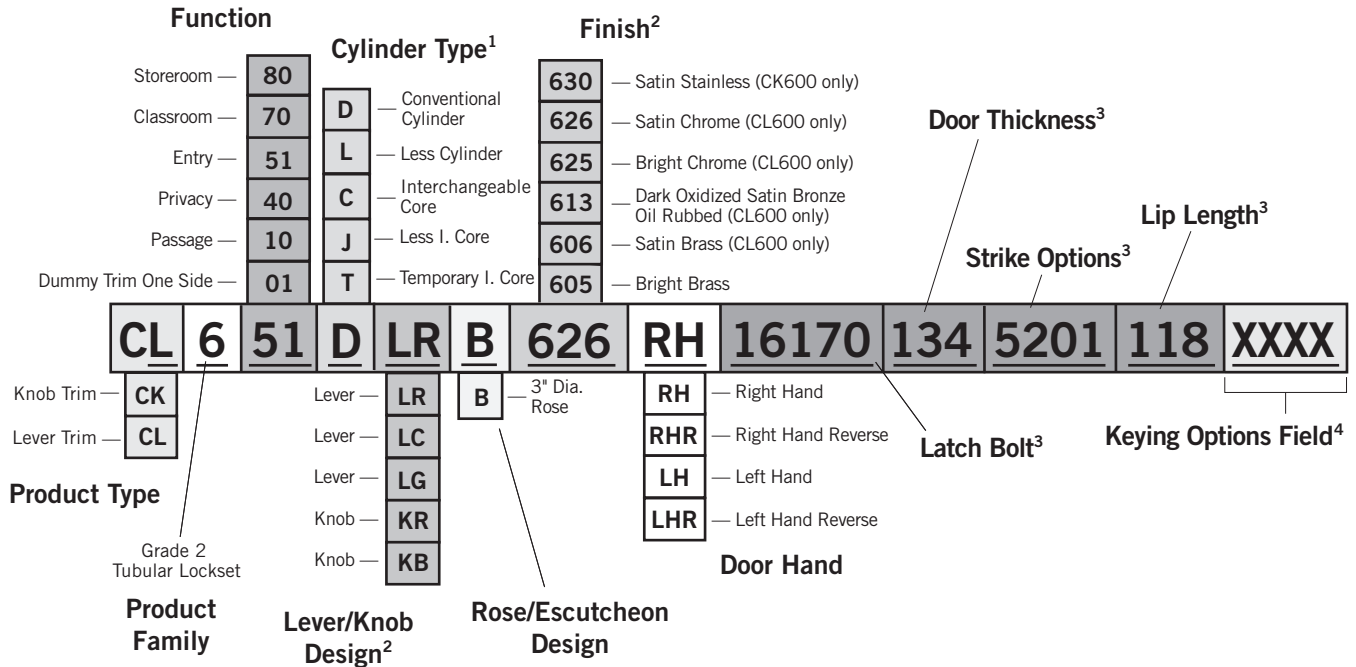
**Finishes:**

Brass: 605 (Bright) or 606<sup>1</sup> (Satin).  
Bronze: 613<sup>1</sup> (Dark Oxidized Satin).  
Chrome<sup>1</sup>: 625 (Bright) or 626 (Satin).  
Stainless: 630<sup>2</sup> (Satin).

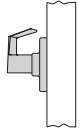
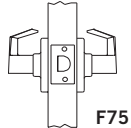
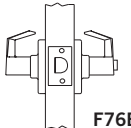
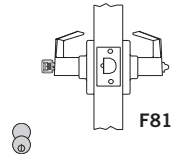
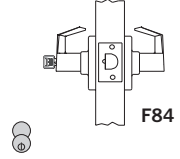
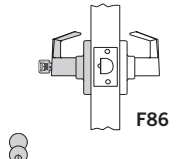
1. Available on lever handle locksets only.
2. Available on knob locksets only.

In some instances, for customer convenience, the most appropriate BHMA finish symbols are used to indicate similarity of appearance, regardless of base metal or finishing process. Levers are zinc-based material and are finished to match finishes indicated. Finishes of latches, strikes, cylinders/cores, and visible mounting screws, though similar in appearance, may differ from the finish of the trim. Finish designations in the 600-Series are the BHMA (Builders Hardware Manufacturers Association) industry standard.

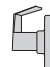
**How to Order CL600/CK600 Series**




1. Cylinder Types C, J, and T available in LR or LC designs and 605, 613, 625, or 626 finishes.
2. For split finishes or split trims, consult factory.
3. Example shows default values. Refer to Lock Options section for full details
4. Refer to **DORMA Price List** for full details.

FUNCTION	SERIES	OUTSIDE/INSIDE	DESCRIPTION
<b>Dummy Trim One Side</b>	<b>CL601 CK601</b>		<ul style="list-style-type: none"> <li>• Used as pull or matching trim on pairs of doors.</li> </ul>
<b>Passage</b>	<b>CL610 CK610</b>	 F75	<ul style="list-style-type: none"> <li>• Latch bolt operated by trim from either side.</li> </ul>
<b>Privacy</b>	<b>CL640 CK640</b>	 F76B	<ul style="list-style-type: none"> <li>• Latch bolt operated by trim from either side.</li> <li>• Outside trim locked by push button inside.</li> <li>• Outside trim unlocked by emergency release from outside.</li> <li>• Outside trim unlocked by inside trim.</li> </ul>
<b>Entry</b>	<b>CL651 CK651</b>	 F81	<ul style="list-style-type: none"> <li>• Deadlocking latch bolt operated by trim from either side, except when outside trim locked by turn button inside.</li> <li>• When outside trim locked, key in outside trim unlocks turn button.</li> <li>• Outside trim unlocked by inside trim.</li> </ul>
<b>Classroom</b>	<b>CL670 CK670</b>	 F84	<ul style="list-style-type: none"> <li>• Deadlocking latch bolt operated by trim from either side, except when outside trim locked from outside by key.</li> <li>• When outside trim locked, latch bolt retracted by key outside.</li> <li>• When outside trim is locked, latch bolt operated by inside trim.</li> </ul>
<b>Storeroom</b>	<b>CL680 CK680</b>	 F86	<ul style="list-style-type: none"> <li>• Deadlocking latch bolt retracted by key in outside trim.</li> <li>• Deadlocking latch bolt operated by inside trim.</li> <li>• Outside trim always inoperable.</li> </ul>

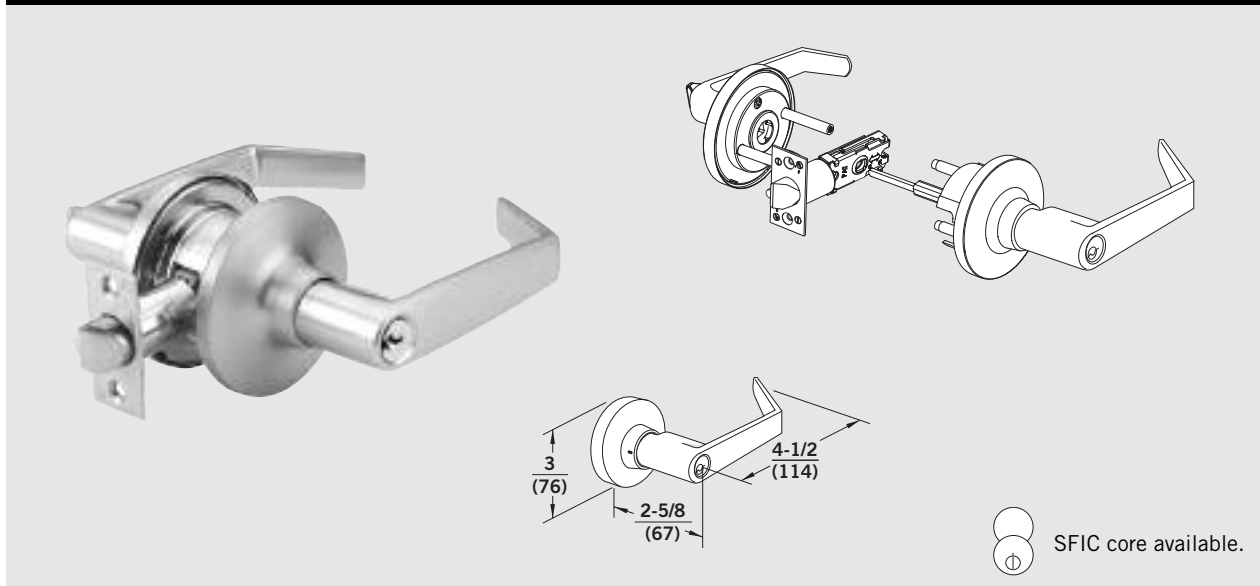
 Indicates SFIC Core available.

 Indicates rigid lever.

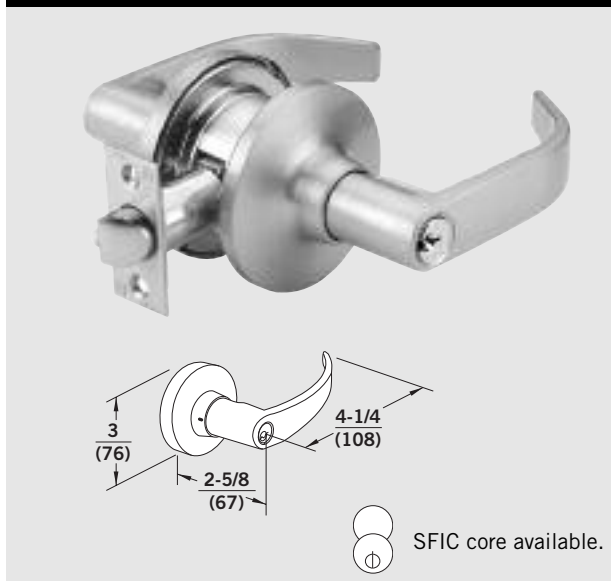
## The CL600 Series ANSI Grade 2 Tubular Locks are available in three lever trim designs.

-  ADA compliant levers feature solid, cast handles with return to within 1/2" (12 mm) of the door face.
- Return springs hold levers in correct horizontal position.
- Available Finishes:
  - Brass: 605 (Bright) or 606 (Satin)
  - Bronze: 613 (Dark Oxidized Satin)
  - Chrome: 625 (Bright) or 626 (Satin)

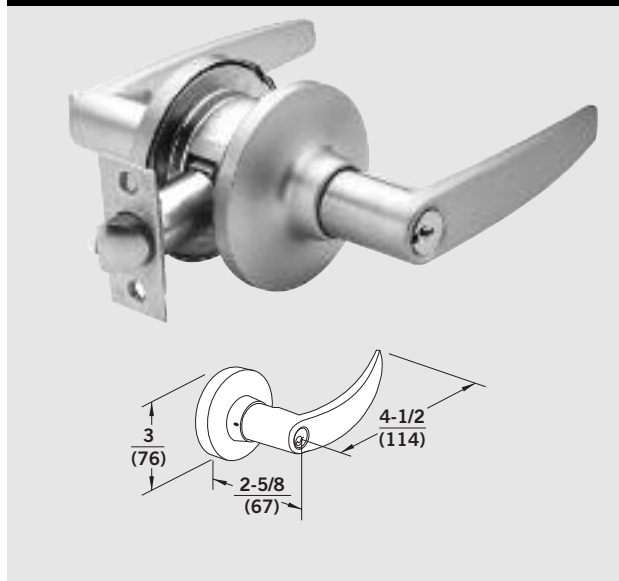
### LEVER DESIGN – LR



### LEVER DESIGN – LC



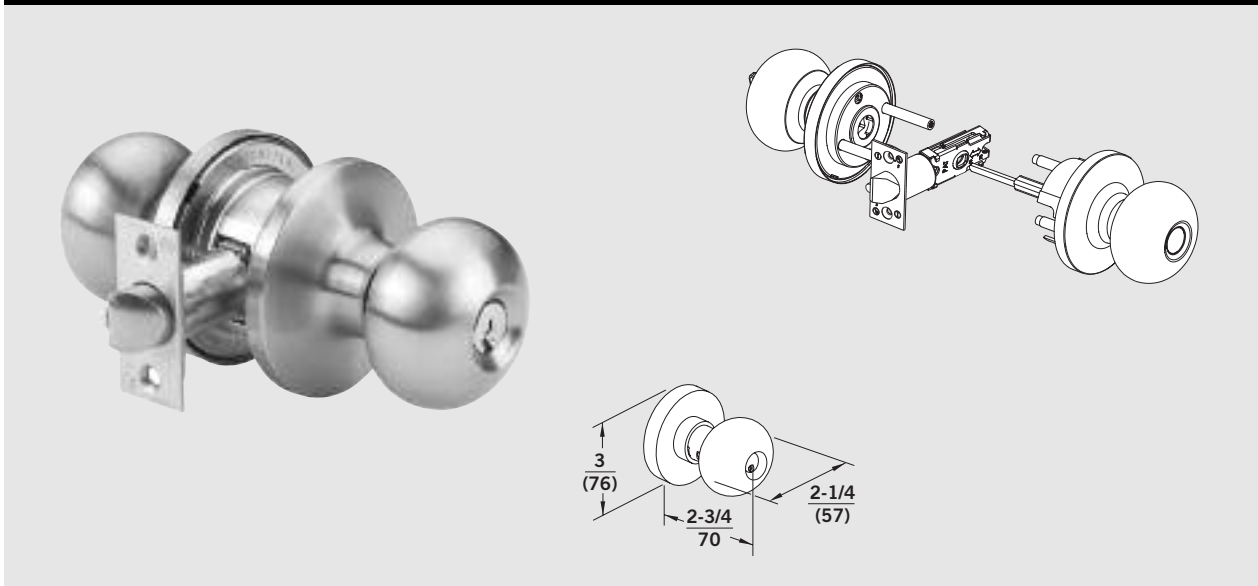
### LEVER DESIGN – LG



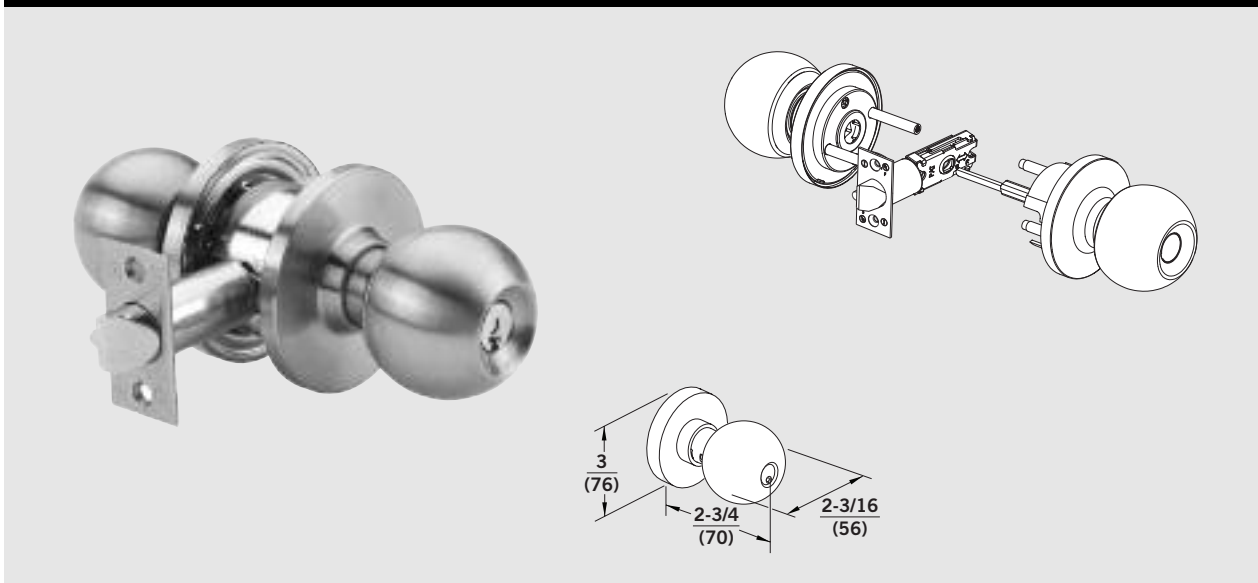
## The CK600 Series Tubular Locks are available in two knob designs

- Available Finishes:  
Brass: 605 (Bright)  
Stainless: 630 (Satin)

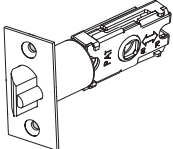
### KNOB DESIGN – KR



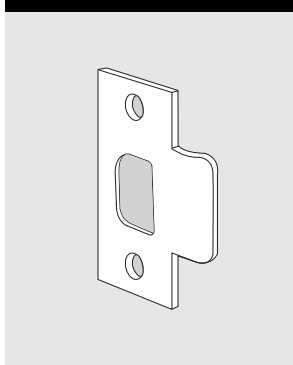
### KNOB DESIGN – KB



**1/2" THROW LATCH BOLT**

 <b>DORMA FUNCTION (ANSI)</b>	PART NUMBER		
	<b>2-3/8"-2-3/4"</b> <b>Adjustable Backset</b> <b>1"W × 2-1/4"H</b> <b>Square</b>	<b>2-3/8"-2-3/4"</b> <b>Adjustable Backset</b> <b>1"W × 2-1/4"H</b> <b>1/4" Radius</b>	<b>2-3/8"-2-3/4"</b> <b>Adjustable Backset</b> <b>1" Diameter</b> <b>Drive-In</b>
610 (F75) – Passage	<b>16120</b>	16121	16123
640 (F76B) – Privacy	<b>16120</b>	16121	16123
651 (F81) – Entry	<b>16170</b>	16171	16173
670 (F84) – Classroom	<b>16190</b>	16191	16193
680 (F86) – Storeroom	<b>16190</b>	16191	16193
601 – Dummy Trim One Side	-	-	-

**T-Strike**



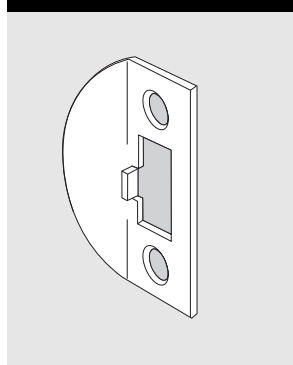
Dust box included.

**5101** — 1-1/8" × 2-3/4" square T-strike. 1-1/8" lip length. Default for all CL600 Series locks. Optional for all CK600 locks.

**5102** — 1-1/8" × 2-3/4" T-strike with 1/4" radiused corners 1-1/8" lip length. Optional for all 600 Series locks.

For optional 1-1/2" lip length, specify 5101-112 or 5102-112.

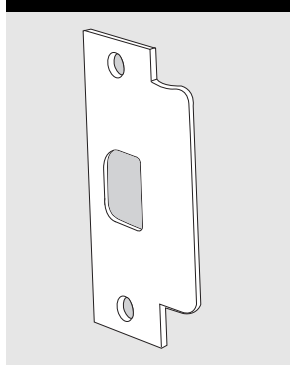
**Full Lip Strike**



**5201** — 1-5/8" × 2-1/4" square full curved lip strike. 1-1/8" lip length. Default strike for all CK600 Series locks. Optional for all CL600 Series locks.

**5202** — 1-5/8" × 2-1/4" full curved lip strike with 1/4" radiused corners. 1-1/8" lip length. Optional for all 600 Series locks.

**4-7/8" Strike**



**5001** — ANSI 1-1/4" × 4-7/8" square strike. 1-1/8" lip length. Optional for all 600 Series locks.

**DORMA Group**  
**North America**  
www.dorma-usa.com

**DORMA Architectural Hardware**  
DORMA Drive, Drawer AC  
Reamstown, PA 17567-0411  
Telephone: (800) 523-8483  
Facsimile: (800) 274-9724  
E-mail: archdw@dorma-usa.com

**DORMA Canada**  
1680 Courtney Park Drive, Unit 13  
Mississauga, Ontario L5T 1R4  
Telephone: (800) 387-4938  
Facsimile: (905) 670-5850  
E-mail: sales@dormacanada.com

**DORMA Mexico, S. de R.L. de C.V.**  
Astrónomos 28, Col. Escandón  
México, D.F. 11800  
Del. Miguel Hidalgo  
Telephone: (52+55) 5272-6937  
Facsimile: (52+55) 5272-6948  
E-mail: operacion@dorma.com.mx