



Grade 1  
Heavy-Duty  
Cylindrical  
Locksets

# **DORMA CL800 CK800**



**CL800/CK800 Grade 1 Cylindrical Locksets**

Features . . . . .	3	Apartment – CL860, CK860 . . . . .	8
Technical Details and Specifications . . . . .	4	Classroom – CL870, CK870 . . . . .	9
How to Order . . . . .	5	Communicating – CL872, CK872 . . . . .	9
<b>Trim Designs</b>		Corridor – CL873, CK873 . . . . .	9
CL800 LR Lever . . . . .	6	Classroom Intruder – CL877 . . . . .	9
CL800 LC Lever . . . . .	6	Storeroom – CL880, CK880 . . . . .	9
CL800 LG Lever . . . . .	6	Electrified Fail Safe – CL880EL, CK880EL . . . . .	9
CK800 KR Knob . . . . .	7	Electrified Fail Secure – CL880EU, CK880EU . . . . .	9
CK800 KB Knob . . . . .	7	Asylum – CL882, CK882 . . . . .	9
<b>Functions</b>		Hotel – CL885, CK885 . . . . .	9
Dummy Trim One Side – CL801, CK801 . . . . .	8	<b>Lock Options</b>	
Passage – CL810, CK810 . . . . .	8	1/2" Throw Latch Bolts . . . . .	10
Patio – CL830, CK830 . . . . .	8	3/4" Throw Latch Bolt . . . . .	10
Privacy – CL840, CK840 . . . . .	8	5" Backset Link . . . . .	10
Hospital Privacy – CL844 . . . . .	8	4-7/8" Strike . . . . .	11
Entry/Office – CL850 . . . . .	8	T-Strike . . . . .	11
Entry – CL853, CK853 . . . . .	8	Full Lip Strike . . . . .	11



The quality management systems at the Reamstown, PA and Steeleville, IL facilities are certified to ISO-9001:2000.\*



\*DORMA Door Controls Inc., dba: DORMA Architectural Hardware

## DORMA's CL800 and CK800 Series Grade 1 heavy-duty cylindrical locksets provide exceptional security, enhanced aesthetics, and rugged dependability.

These premium locks are built with a high performance cylindrical chassis for all applications where ANSI A156.2 Series 4000 Grade 1 products are required. To meet the aesthetic needs of your project, these versatile locks are available in a range of lever and knob trim designs — choose between the LR, LC, and LG lever designs or the KR and KB knob designs. Made in the USA.

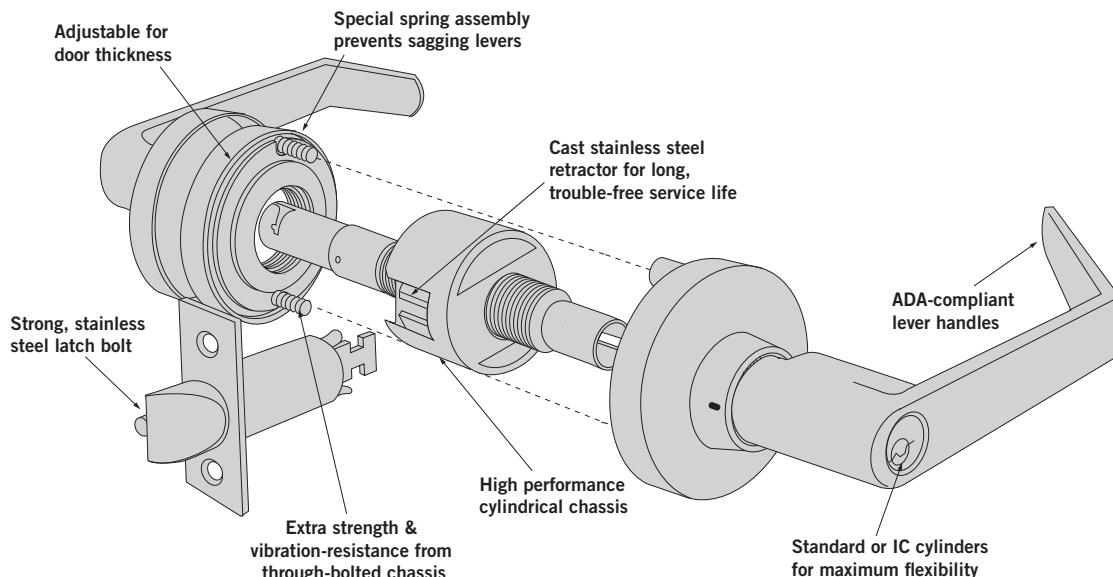
### Features

- All DORMA 800 Series locks feature advanced design concepts for extreme reliability and are manufactured with the finest materials for exceptional durability.
- To ensure exceptionally smooth operation, the CL800 and CK800 Series locks incorporate a cast stainless steel retractor combined with bronze roller bearings. This design provides both extremely high strength and an extended service life for the lock mechanism.
- DORMA 800 Series locksets are easy to install in both wood and hollow metal doors with ANSI Standard A115 preparations for cylindrical locks.
- All CL800 Series locks are through-bolted for additional strength and reliability.

### Recommended Applications

- Schools and Universities
- Hotels
- Apartments
- Hospitals and Nursing Homes
- Churches
- Municipal Buildings
- Airports
- Retail Complexes
- Offices
- Warehouses

- All CL800 Series operating trims feature a specially designed freewheeling function to protect the lock from damage caused by excessive torque applied to the lever handles. When locked, the outside lever handle will move freely through a 60° arc without operating the latch bolt. This free movement minimizes the opportunity for damage to the lock mechanism.
- All CL800 lever handle locks include a special, high strength spring and positive stop to eliminate unsightly sagging levers.
- All CL800 Series locks are easily adjustable to accommodate doors from 1-5/8"–1-7/8" thick without spacers (1-3/8"–1-5/8" with spacers 660005). CK800 will accommodate doors from 1-3/8"–1-7/8" thick without spacers or special tools. Consult the factory for other door thicknesses.
- LR, LC, and LG lever designs include a special breakaway function to maintain security when the lever handles are attacked.



**Technical Details:**

ANSI/BHMA A156.2 Series 4000, Grade 1	Yes	Highest grade level obtainable
U.L. listed for UL 10B/10C and UBC 7.2 (1997)	Yes	U.L. and C.U.L. listed for use on 3-hour fire-rated doors and for all positive pressure applications
Warranty	10-year	Exceptional mechanical warranty
Non-handed	Yes	Simple installation
Key-in-lever lock through-bolted	Yes	Provides added strength and security
Cast stainless steel latch retractor with bronze bearings	Yes	Provides superior strength and durability against lock-in or lock-out situations and exceptionally smooth operation
Lock chassis constructed of steel and stainless steel components	Yes	Provides superior strength, durability and corrosion resistance
Stainless steel latch bolt	Yes	Provides superior strength and wear resistance
Auxiliary deadlocking latch bolt	Yes	Prevents manipulation when door is closed (all keyed functions)

**Certification:**

The DORMA CL800 and CK800 are U.L. and C.U.L. listed, three hour fire rated. Locksets with 1/2" throw latch bolts are listed for A label and lesser class single doors, 4'0" x 8'0" maximum. Locks with 3/4" throw latch bolts are listed for A label and lesser class double doors, 4'0" x 8'0" per leaf maximum.

The DORMA CL800 and CK800 are certified to the requirements of ANSI A156.2 Series 4000 Grade 1. The CL800 meets A117.1 and ADA requirements for barrier-free accessibility. Manufactured in the USA.

California State Fire Marshall (CSFM) approved, California State Reference code, 1989 (formerly title 19).

**Other Listings:**

MEA

**Cylinders and Keying:**

- Unless otherwise specified, cylinders will be provided in DORMA standard keyway with two (2) nickel silver keys.
- Optional patented key system available.
- Refer to **DORMA Price List** for full details and options such as master keying, retrofit cylinders and keyways, and small format interchangeable cores.

**Warranty:** Ten (10) year limited warranty.

**Finishes:**

Brass: 605 (Bright) or 606<sup>1</sup> (Satin).

Bronze<sup>1</sup>: 612 (Satin) or 613 (Dark Oxidized Satin).

Chrome<sup>1</sup>: 625 (Bright) or 626 (Satin).

Stainless<sup>2</sup>: 630 (Satin).

1. Available on lever handle locksets only.
2. Available on knob locksets only.

In some instances, for customer convenience, the most appropriate BHMA finish symbols are used to indicate similarity of appearance, regardless of base metal or finishing process. Levers are zinc-based material and are finished to match finishes indicated. Finishes of latches, strikes, cylinders/cores, and visible mounting screws, though similar in appearance, may differ from the finish of the trim. Finish designations in the 600-Series are the BHMA (Builders Hardware Manufacturers Association) industry standard.

**How to Order CL800/CK800 Series**

**Function**

Hotel	85
Asylum	82
Electrified Fail Secure	80EU
Electrified Fail Safe	80EL
Storeroom	80
Classroom Intruder	77
Corridor	73
Communicating	72
Classroom	70
Apartment	60
Entry	53
Entry/Office	50
Hospital Privacy	44
Privacy	40
Patio	30
Passage	10
Dummy Trim One Side	01

**Cylinder Type**

E	Corbin/Ruswin 2000 Series 6-pin KIL (less cylinder) <sup>4</sup>
M	Medeco I. Core 32 Series (less core) <sup>4,5</sup>
A	Corbin/Ruswin 6-pin I. Core (less core) <sup>4,5</sup>
D	Conventional Cylinder
L	Less Cylinder
C	Interchangeable Core
J	Less I. Core
T	Temporary I. Core
R	Schlage I. Core (less core) <sup>4</sup>

**Finish<sup>3</sup>**

630	Satin Stainless (CK800 only)
626	Satin Chrome (CL800 only)
625	Bright Chrome (CL800 only)
613	Dark Oxidized Satin Bronze Oil Rubbed (CL800 only)
612	Satin Bronze (CL800 only)
606	Satin Brass (CL800 only)
605	Bright Brass

**Product Type**

CK	Knob Trim
CL	Lever Trim

**Lever/Knob Design<sup>3</sup>**

LR	Lever
LC	Lever
LG	Lever
KR	Knob
KB	Knob

**Rose/Escutcheon Design<sup>1</sup>**

B	2-3/4" Dia. Rose
C	3-7/16" Dia. Rose

**Door Hand**


RH	Right Hand
RHR	Right Hand Reverse
LH	Left Hand
LHR	Left Hand Reverse

**Example Order Code: CL 8 53 D LR C 626 RH 18252 134 5001 118 XXXX**

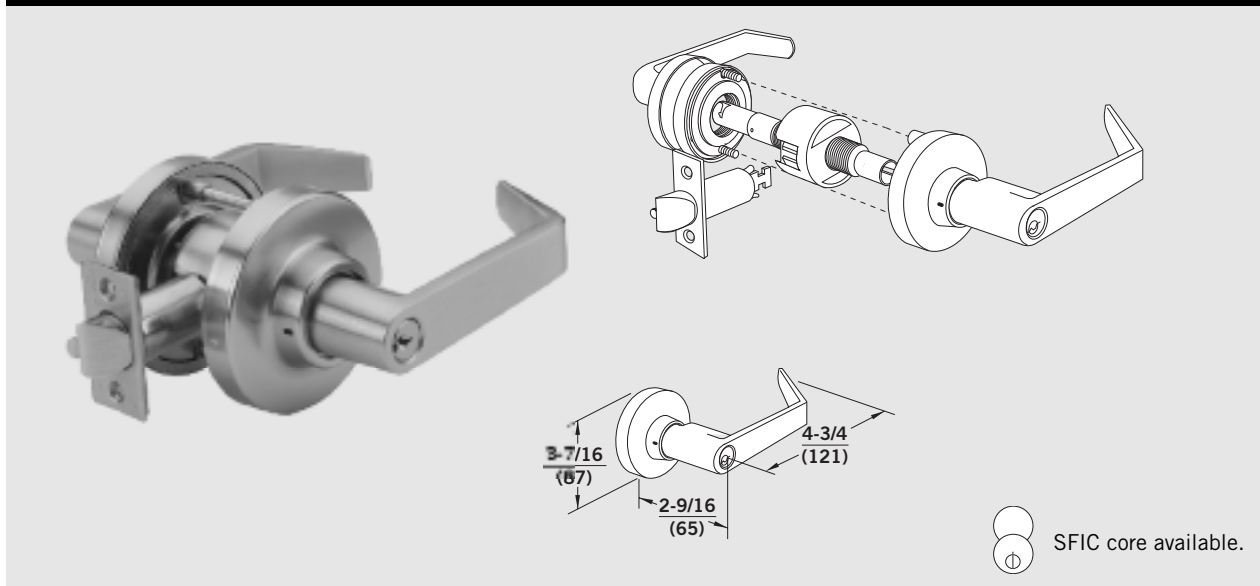
Labels for example code: CL (Product Family), 8 (Grade 1 Heavy-Duty Lockset), 53 (Function), D (Cylinder Type), LR (Lever/Knob Design), C (Rose/Escutcheon Design), 626 (Finish), RH (Door Hand), 18252 (Door Thickness<sup>2</sup>), 134 (Strike Options<sup>2</sup>), 5001 (Lip Length<sup>2</sup>), 118 (Latch Bolt<sup>2</sup>), XXXX (Keying Options Field<sup>6</sup>)

1. Rose B is applicable to KR/KB designs only.  
Rose C is applicable to LR/LC/LG designs only.
2. Example shows default values. Refer to Lock Options section for full details.
3. For split finishes or split trims, consult factory.
4. Applicable to LR designs only.
5. CL853/CL870/CL877/CL880 functions only.
6. Refer to **DORMA Price List** for full details.

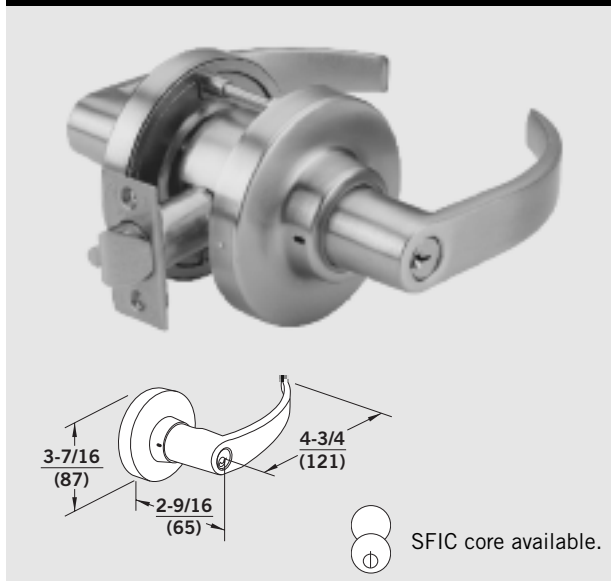
## The CL800 Series ANSI Grade 1 Heavy-Duty Cylindrical Locks are available in three lever trim designs.

- CL800 locks feature a custom designed mechanism that allows locked outside lever to rotate through approximately 60° without damage.
-  ADA compliant levers feature solid, cast handles with return to within 1/2" (12 mm) of the door face.
- Independent return springs hold levers in correct horizontal position.
- Available Finishes:  
Brass: 605 (Bright) or 606 (Satin).  
Bronze: 612 (Satin) or 613 (Dark Oxidized).  
Chrome: 625 (Bright) or 626 (Satin).

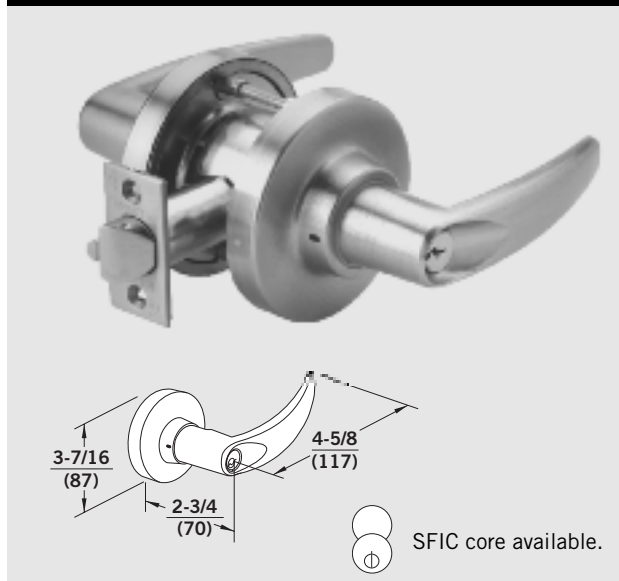
### LEVER DESIGN – LR



### LEVER DESIGN – LC



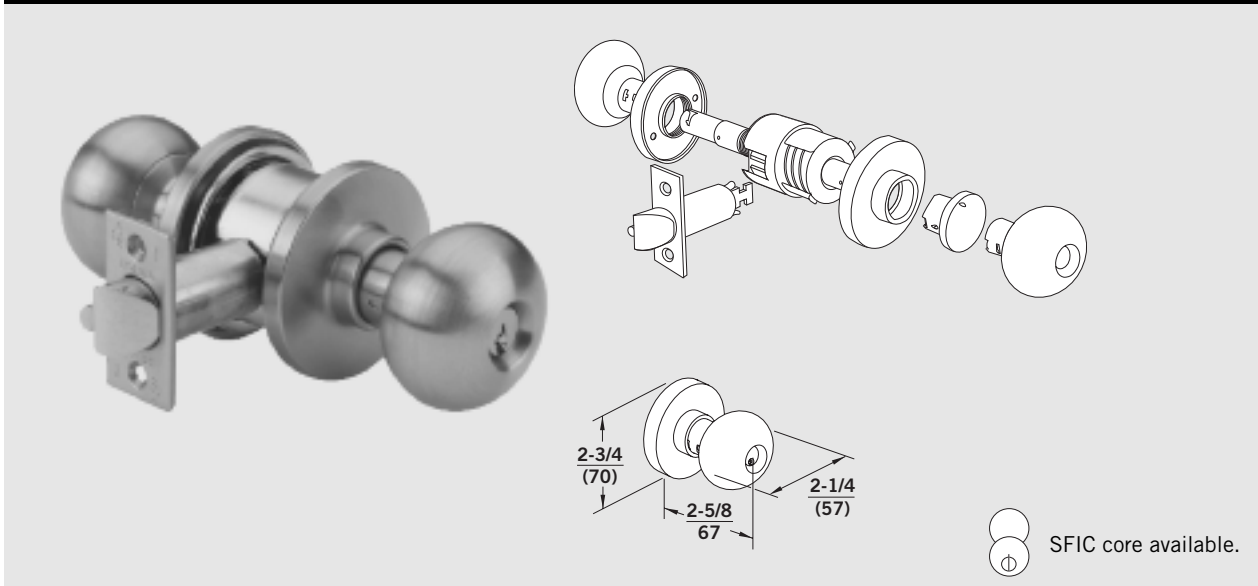
### LEVER DESIGN – LG



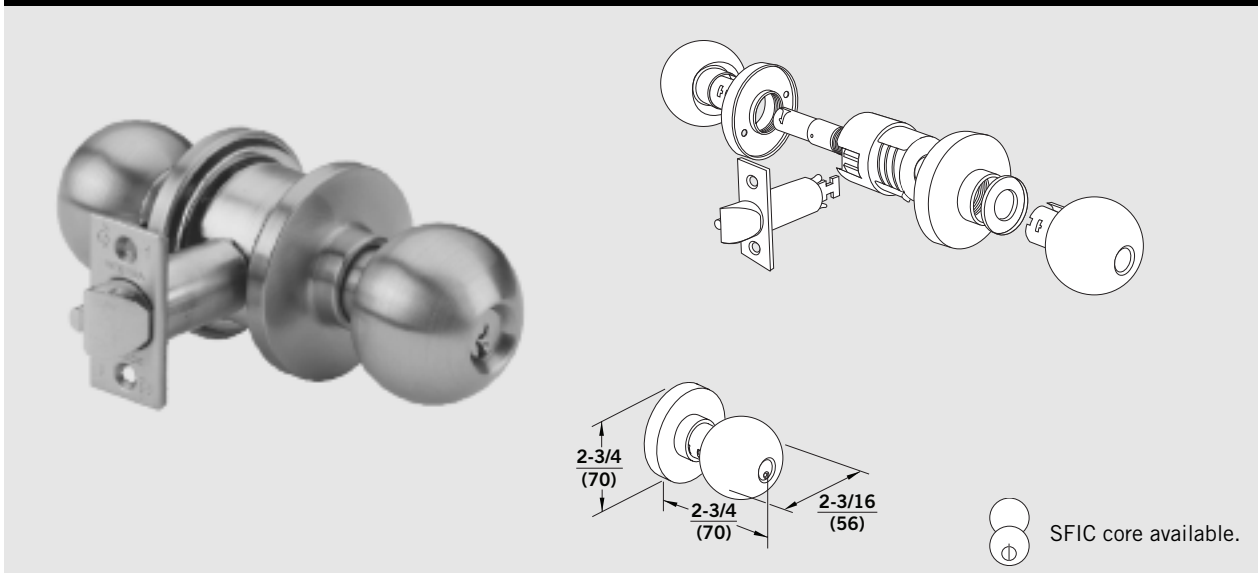
## The CK800 Series Heavy-Duty Cylindrical Locks are available in two knob designs

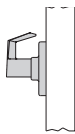
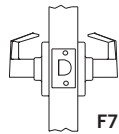
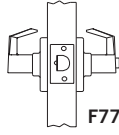
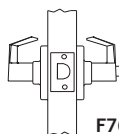
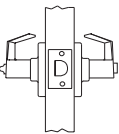
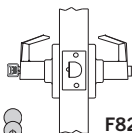
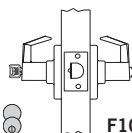
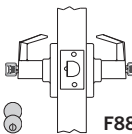
- KR and KB knobs include steel reinforcement for additional strength.
- Roses reinforced with steel inserts.
- Available Finishes:  
Brass: 605 (Bright).  
Stainless: 630 (Satin).

### KNOB DESIGN – KR

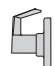


### KNOB DESIGN – KB

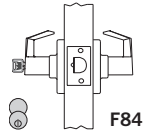
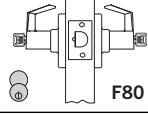
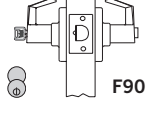
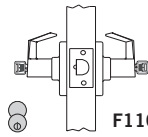
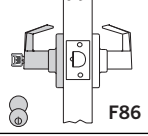
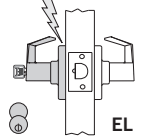
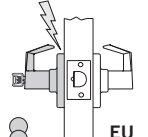
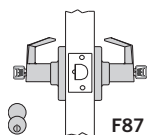
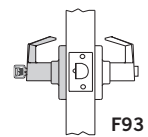


FUNCTION	SERIES	OUTSIDE/INSIDE	DESCRIPTION
Dummy Trim One Side	CL801 CK801		<ul style="list-style-type: none"> <li>Used as pull or matching trim on pairs of doors.</li> </ul>
Passage	CL810 CK810	 F75	<ul style="list-style-type: none"> <li>Latch bolt operated by trim either side at all times.</li> </ul>
Patio	CL830 CK830	 F77A	<ul style="list-style-type: none"> <li>Deadlocking latch bolt operated by trim either side.</li> <li>Outside trim locked by push button or locking device inside.</li> <li>Outside trim unlocked by trim inside.</li> <li>Outside trim unlocked by closing door.</li> <li>Inside trim always unlocked.</li> <li>Do not use in rooms that have no other entrance.</li> </ul>
Privacy	CL840 CK840	 F76A	<ul style="list-style-type: none"> <li>Latch bolt operated by trim either side.</li> <li>Outside trim locked by push button or locking device inside.</li> <li>Outside trim unlocked by emergency release outside.</li> <li>Outside trim unlocked by trim inside.</li> <li>Outside trim unlocked by closing door.</li> <li>Inside trim always unlocked.</li> </ul>
Hospital Privacy	CL844		<ul style="list-style-type: none"> <li>Latch bolt operated by trim either side.</li> <li>Outside trim locked by push button or locking device inside.</li> <li>Outside trim unlocked by emergency release outside.</li> <li>Outside trim unlocked by trim inside.</li> <li>Outside trim unlocked by closing door.</li> <li>Inside trim always unlocked.</li> </ul>
Entry/Office	CL850	 F82	<ul style="list-style-type: none"> <li>Deadlocking latch bolt operated by trim either side, except when outside trim locked by push button inside.</li> <li>Key outside releases push button, unlocking outside trim.</li> <li>Operating inside trim releases push button, unlocking outside trim.</li> <li>Inside trim always operates latch bolt.</li> </ul>
Entry	CL853 CK853	 F109	<ul style="list-style-type: none"> <li>Deadlocking latch bolt operated by trim either side, except when outside trim locked by push button inside.</li> <li>Key outside releases push button, unlocking outside trim, except when inside button pushed and turned to keep outside trim locked.</li> <li>Operating inside trim releases push button, unlocking outside trim, except when inside button pushed and turned to keep outside trim locked.</li> <li>Inside button must be turned to unlock outside trim.</li> <li>Inside trim always operates latch bolt.</li> </ul>
Apartment	CL860 CK860	 F88	<ul style="list-style-type: none"> <li>Deadlocking latch bolt operated by trim either side, except when outside trim locked by key inside.</li> <li>When outside trim locked, latch bolt retracted by key outside.</li> <li>When outside trim locked, latch bolt operated by trim inside.</li> </ul>

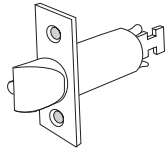
 Indicates SFIC Core available.

 Indicates rigid lever.



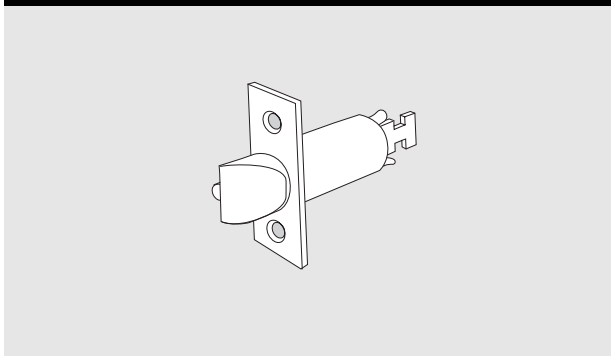
FUNCTION	SERIES	OUTSIDE/INSIDE	DESCRIPTION
Classroom	CL870 CK870	 F84	<ul style="list-style-type: none"> <li>• Deadlocking latch bolt operated by trim either side, except when outside trim locked by key outside.</li> <li>• Outside trim locked or unlocked by key outside.</li> <li>• When outside trim locked, latch bolt operated by trim inside.</li> </ul>
Communicating	CL872 CK872	 F80	<ul style="list-style-type: none"> <li>• Deadlocking latch bolt operated by trim either side.</li> <li>• Turning key in trim locks, or unlocks, its own trim independently.</li> <li>• Do not use on doors in rooms that have no other exit.</li> </ul>
Corridor	CL873 CK873	 F90	<ul style="list-style-type: none"> <li>• Deadlocking latch bolt operated by trim either side, except when outside trim locked by key outside.</li> <li>• Deadlocking latch bolt operated by trim either side, except when outside trim locked by push button inside.</li> <li>• Outside trim locked or unlocked by key outside.</li> <li>• Operating inside trim releases push button.</li> <li>• Closing door restores push button placed in a locked position.</li> <li>• Inside trim always operates latch bolt.</li> </ul>
Classroom Intruder	CL877	 F110	<ul style="list-style-type: none"> <li>• Deadlocking latch bolt operated by trim either side, except when outside trim locked by key either side.</li> <li>• Inside trim always unlocked.</li> </ul>
Storeroom	CL880 CK880	 F86	<ul style="list-style-type: none"> <li>• Deadlocking latch bolt retracted by key outside.</li> <li>• Deadlocking latch bolt operated by trim inside.</li> <li>• Outside trim always inoperable.</li> </ul>
Electrified Fail Safe	CL880EL	 EL	<ul style="list-style-type: none"> <li>• Outside trim locked when power is on.</li> <li>• Outside trim unlocked when power is interrupted.</li> <li>• Inside trim always unlocked.</li> </ul>
Electrified Fail Secure	CL880EU	 EU	<ul style="list-style-type: none"> <li>• Outside trim unlocked when power is on.</li> <li>• Outside trim locked when power is interrupted.</li> <li>• Inside trim always unlocked.</li> </ul>
Asylum	CL882 CK882	 F87	<ul style="list-style-type: none"> <li>• Deadlocking latch bolt retracted by key either side.</li> <li>• Both trims always rigid.</li> </ul>
Hotel	CL885	 F93	<ul style="list-style-type: none"> <li>• Deadlocking latch bolt operated by trim inside at all times.</li> <li>• Outside trim always inoperable.</li> <li>• Latch bolt retracted by key outside, except when push button, or other locking device, operated, thus shutting out all keys except emergency key.</li> <li>• Operating push button, or other locking device, operates visual indicator outside showing room occupied.</li> <li>• Operating inside trim releases indicator and shut out feature.</li> <li>• Closing door releases indicator and shut out feature.</li> </ul>

**1/2" THROW LATCH BOLT**

 <b>DORMA FUNCTION (ANSI)</b>	<b>PART NUMBER</b>		
	<b>2-3/4" Backset 1-1/8"W × 2-1/4"H</b>	<b>3-3/4" Backset 1-1/8"W × 2-1/4"H</b>	<b>5" Backset 1-1/8"W × 2-1/4"H</b>
810 (F75) – Passage	<b>18202</b>	18302	18502
840 (F76A) – Privacy	<b>18232</b>	18332	18532
844 – Hospital Privacy	<b>18232</b>	18332	18532
830 (F77A) – Patio	<b>18282</b>	18382	18582
872 (F80) – Communicating	<b>18252</b>	18352	18552
850 (F82) – Entry/Office	<b>18252</b>	18352	18552
853 (F109) – Entry	<b>18252</b>	18352	18552
870 (F84) – Classroom	<b>18252</b>	18352	18552
880 (F86) – Storeroom	<b>18252</b>	18352	18552
882 (F87) – Asylum	<b>18252</b>	18352	18552
860 (F88) – Apartment	<b>18252</b>	18352	18552
873 (F90) – Corridor	<b>18282</b>	18382	18582
885 (F93) – Hotel	<b>18282</b>	18382	18582
877 (F110) – Classroom Intruder	<b>18252</b>	18352	18552
880EL – Electrified Fail Safe	<b>18252</b>	18352	18552
880EU – Electrified Fail Secure	<b>18252</b>	18352	18552
801 – Dummy Trim One Side	-	-	-

**NOTE:** 2-3/4" backset with 1/2" throw is the 800 Series default.

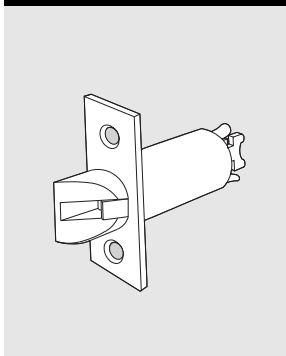
**1/2" Throw Latch Bolt, 2-3/8" Backset**



**18102** — 1-1/8" × 2-1/4" optional 1/2" throw latch bolt with 2-3/8" backset, spring latch. Use with all 800 Series lock functions.

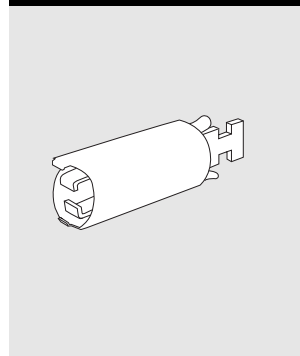
**18152** — 1-1/8" × 2-1/4" optional 1/2" throw latch bolt with 2-3/8" backset, dead latch. Use with all 800 Series lock functions.

**3/4" Throw Latch Bolt**



**18262** — 1-1/8" × 2-1/4" optional 3/4" throw latch bolt with 2-3/4" backset. Use with all 800 Series lock functions. Available in 605 and 626 finishes. For others, consult factory.

**5" Backset Link**

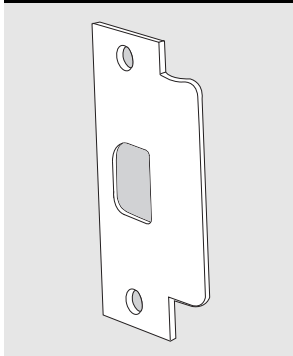


Link combines with default 2-3/4" backset latch bolt to provide 5" backset.

**76008116** — Use with 830, 840, 873, and 885 lock functions.

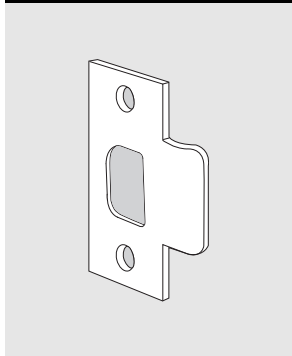
**76008117** — Use with all other lock functions.

**4-7/8" Strike**



**5001** — ANSI 1-1/4" × 4-7/8" strike. 1-1/8" lip length. Default strike for all 800 Series locks. Includes dust box.

**T-Strike**



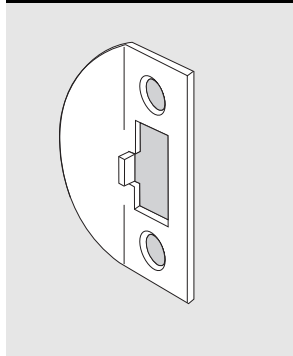
Dust box included.

**5101** — 1-1/8" × 2-3/4" square T-strike. 1-1/8" lip length. Optional for all 800 Series Locks.

**5102** — 1-1/8" × 2-3/4" T-strike with radiused corners 1-1/8" lip length. Optional for all 800 Series locks.

For optional 1-1/2" lip length, specify 5101-112 or 5102-112.

**Full Lip Strike**



**5201** — 1-5/8" × 2-1/4" full curved lip strike with square corners. 1-1/8" lip length. Optional for all 800 Series locks.

**5202** — 1-5/8" × 2-1/4" full curved lip strike with 1/4" radiused corners. 1-1/8" lip length. Optional for all 800 Series locks.



---

**DORMA Group  
North America**  
[www.dorma-usa.com](http://www.dorma-usa.com)

**DORMA Architectural Hardware**  
DORMA Drive, Drawer AC  
Reamstown, PA 17567-0411  
Telephone: (800) 523-8483  
Facsimile: (800) 274-9724  
E-mail: [archdw@dorma-usa.com](mailto:archdw@dorma-usa.com)

**DORMA Canada**  
1680 Courtney Park Drive, Unit 13  
Mississauga, Ontario L5T 1R4  
Telephone: (800) 387-4938  
Facsimile: (905) 670-5850  
E-mail: [sales@dormacanada.com](mailto:sales@dormacanada.com)

**DORMA Mexico, S. de R.L. de C.V.**  
Astrónomos 28  
Col. Escandón  
11800, México, D.F.  
Mexico  
Telephone: (52+55) 5272-6937  
Facsimile: (52+55) 5272-6948  
E-mail: [dormaoper@prodigy.net.mx](mailto:dormaoper@prodigy.net.mx)