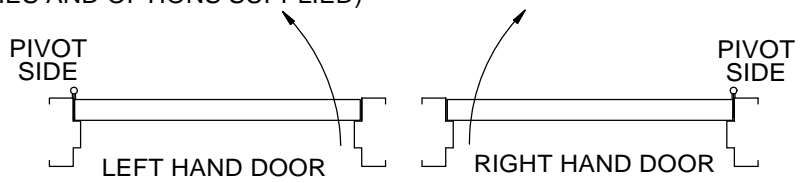


TS93-5 PKT 90, 90/D, 90/F POCKET DOOR TRACK (TRACK ON WALL)

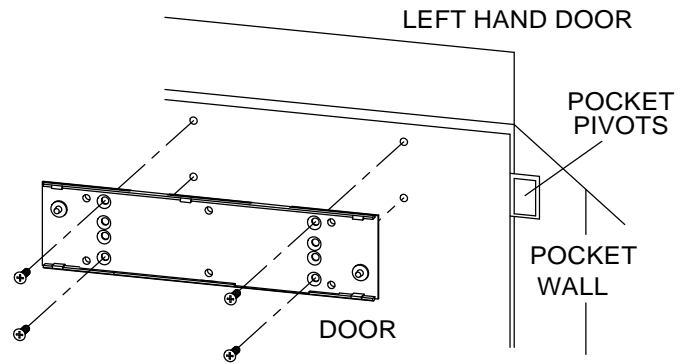
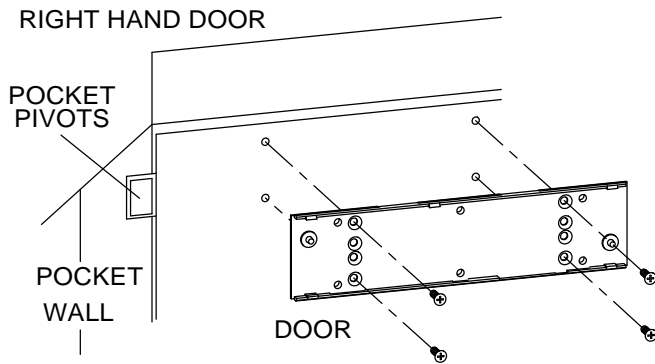
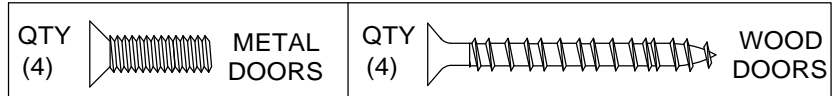


1 (REFERENCE UNIT CARTON LABEL FOR ACCESSORIES AND OPTIONS SUPPLIED)

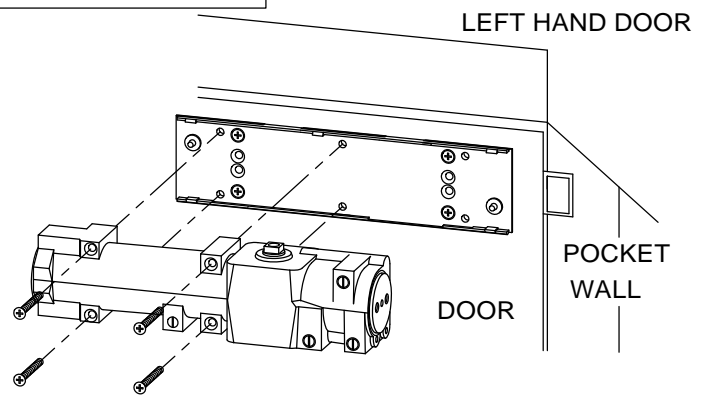
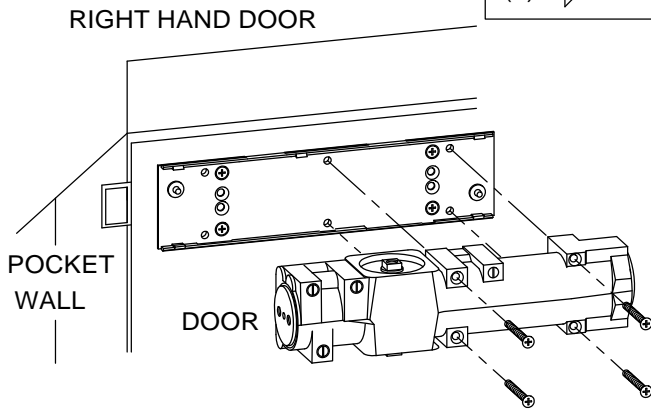
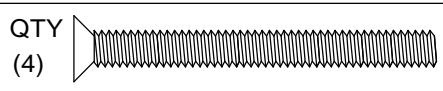
Determine hand of door and unit type supplied.
Prepare door and wall for fasteners according to template 08279992.



2 Attach mounting plate to door.

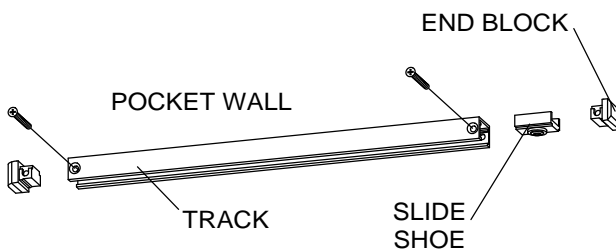
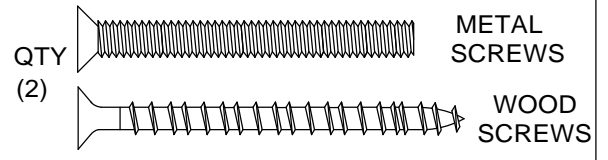


3 Attach closer to mounting plate.



4 Attach track to wall.

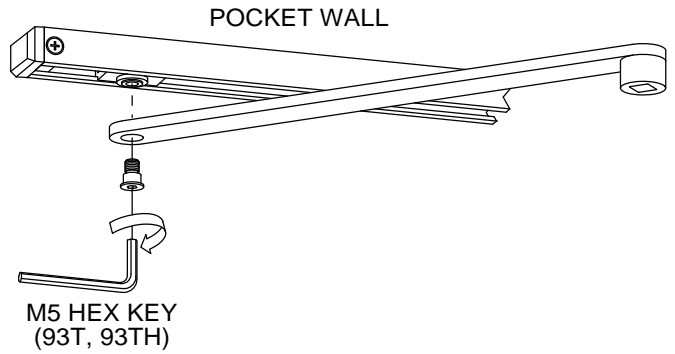
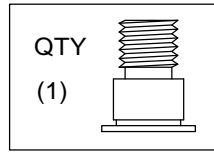
Insert slide shoe and end blocks into track. Attach track to wall.



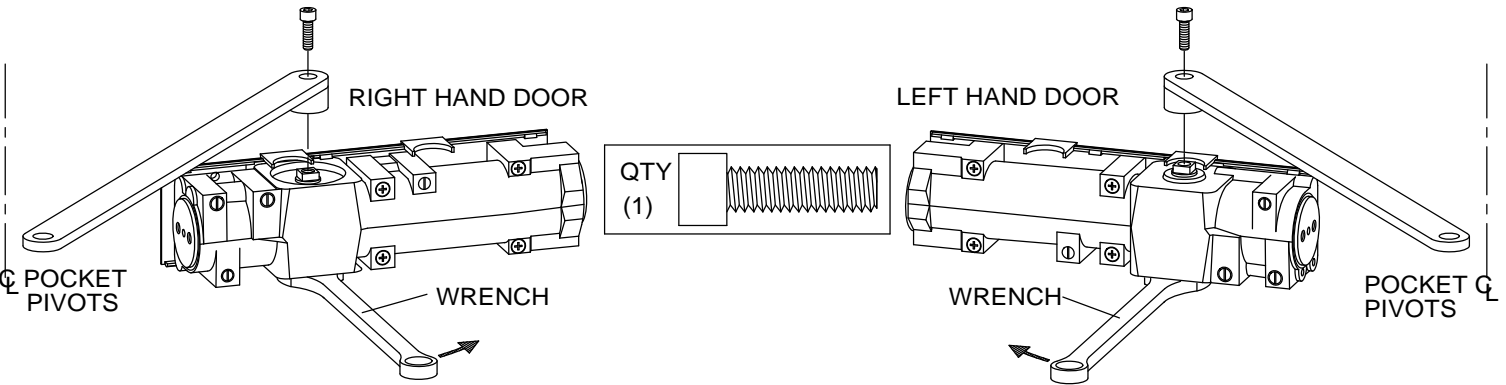
INSPK NO. 08279990 Rev.05/08

5 Attach arm to slide shoe.

Align hole in arm with slide shoe in track. Insert screw and tighten securely. Install track cover.



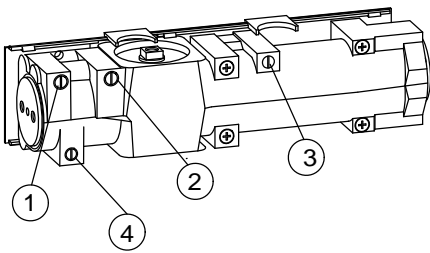
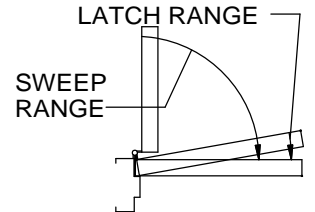
6 With door closed place wrench on bottom pinion of closer. Rotate wrench slightly toward latch edge of door. Attach main arm to top pinion of closer. Tighten securely with screw provided.



7 Adjust sweep, latch and backcheck.

⤿ DECREASE
INCREASE

- ① - SWEEP speed from approx. 70° to 0°.
- ② - LATCH speed from approx. 7° to 0°.
- ④ - DELAY speed from approx. 180° to 70°.

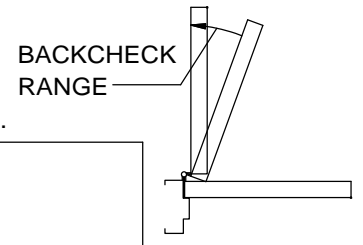


BACKCHECK (INTENSITY)

⤿ INCREASE
DECREASE

- ③ - BACKCHECK cushion effect.

CAUTION: DO NOT CLOSE VALVE COMPLETELY.

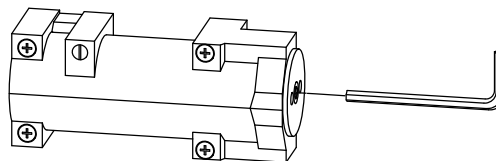


CAUTION: DO NOT REMOVE VALVES.

7 Adjust spring tension to insure proper closing and latching of door.

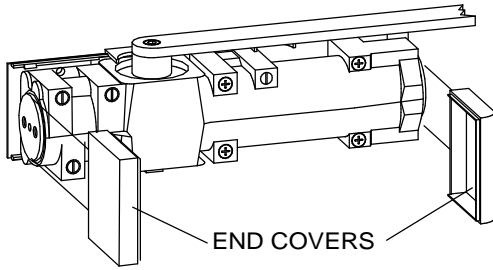
NOTE: Clockwise turns increase spring tension.

⤿ INCREASE
DECREASE

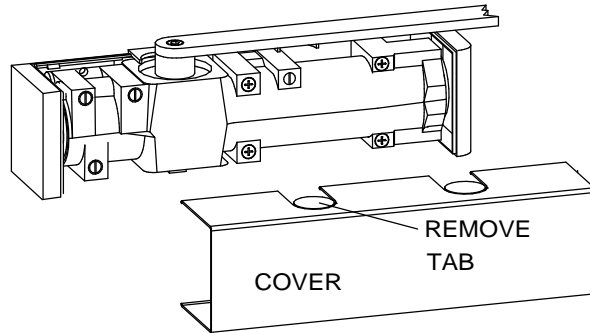


DOOR WIDTH	FULL TURNS OF SPRING ADJUSTER		CLOSER SIZE
	INT.		
TS93-5	3'6"	-4	4
	4'	0	5
	4'6"	+5	6

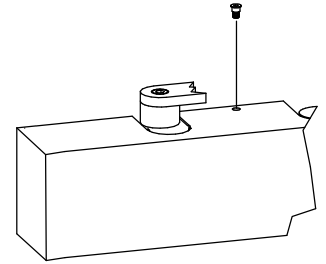
8 Install cover.



Slide end covers over closer body end caps.



Remove tab that aligns with arm hub. Slide cover onto plate.



Secure with locking screw.