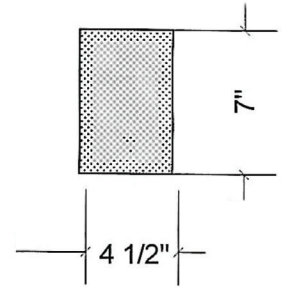
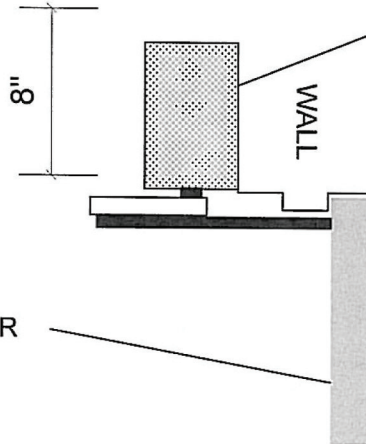
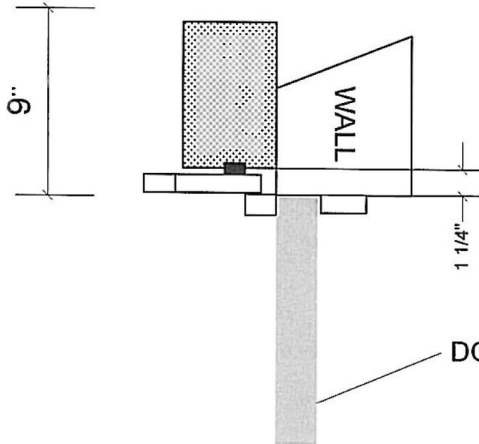


CLEARANCE

Overhead View

PULL SIDE
or DOUBLE EGRESS

PUSH SIDE



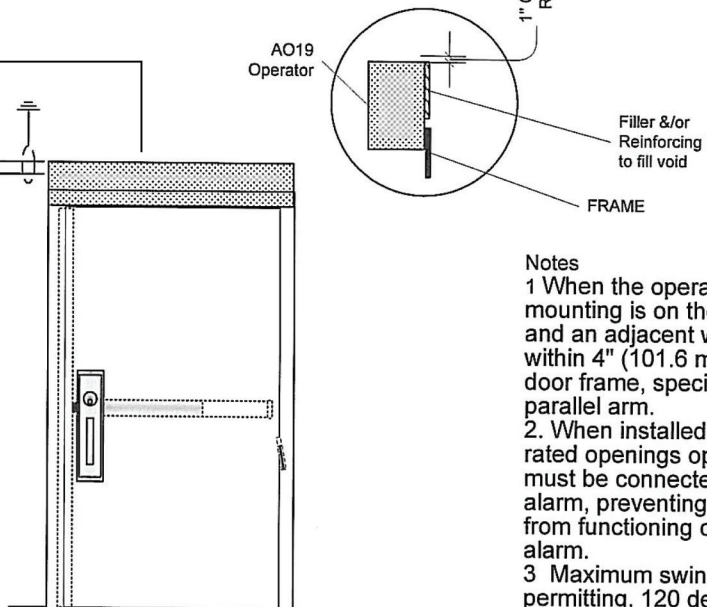
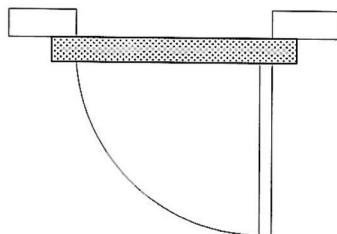
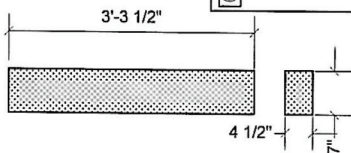
For Fire Doors Only

Fire Alarm Input
Contacts Open on Alarm

120 VAC
1 Phase 15 Amp

Notes
1 Verify best entry point for
120AC.

Duplex outlet part of operator
- location varies



Notes

- 1 When the operator mounting is on the pull side and an adjacent wall is within 4" (101.6 mm) of the door frame, specify a parallel arm.
2. When installed on fire rated openings operator must be connected to fire alarm, preventing operator from functioning on fire alarm.
- 3 Maximum swing, wall permitting, 120 degree. Push side, maximum reveal 11 inches.
4. Maximum door weight - 200 pounds

