

Detex Corporation, 302 Detex Drive, New Braunfels, Texas 78130 (830)629-2900 1-800-729-3839 FAX (830)620-6711  
E-Mail: detex@detex.com Internet: www.detex.com

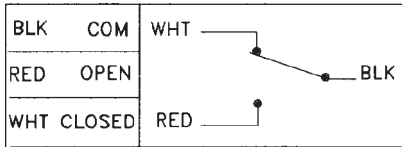
## INSTALLATION INSTRUCTIONS FOR MAGNETIC SWITCH MS-2049SC

### ELECTRICAL SPECIFICATIONS

SWITCH (SPDT)

MAXIMUM CONTACT RATING;

500 mA at 24V



SHOWN DOOR SECURE

The MS-2049SC is designed for use with thin-wall conduit. If the product is to be installed on the latch side of the door, allowance must be made for the space required by the conduit. Position the template near the center of the door. To bring the conduit in from the hinge side, the adapter can be reversed.

Contacts should be installed so that the door cannot be opened more than 2 inches without causing an alarm condition.

Mark the hole centers and drill the holes as required on the template.

Install the bracket on the door with three screws, #10 x 1" flat head, thread-forming.

Position the magnet on the bracket and slip the cover up into position. Fasten these parts together with two screws, #8-32 x 3/4", as shown.

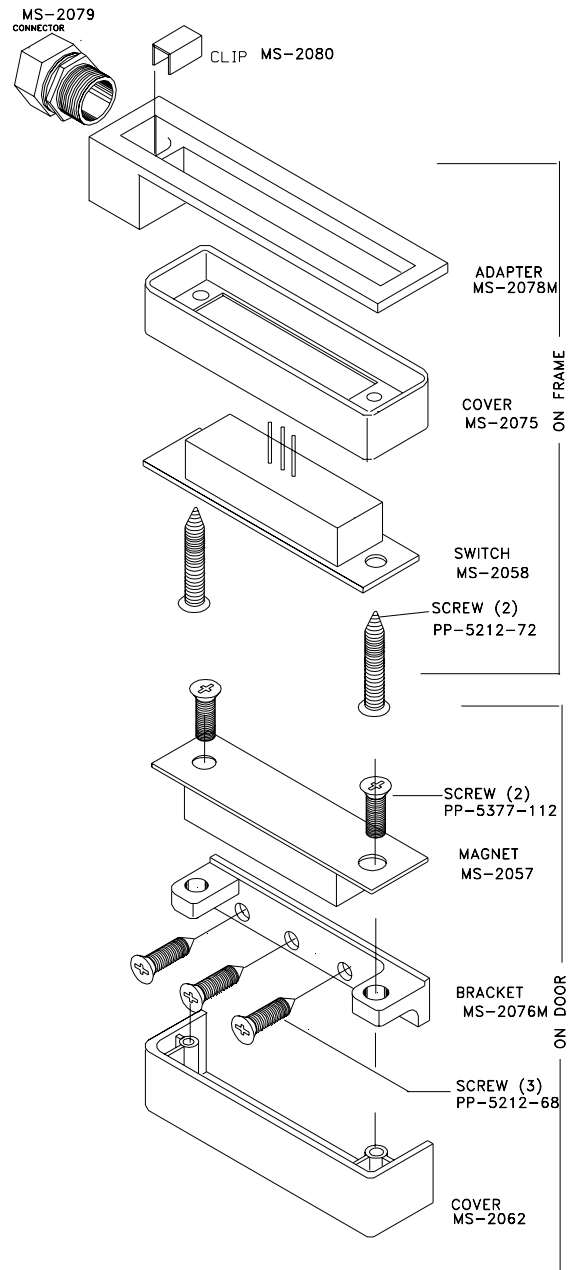
Screw the connector into the adapter.

Assemble the adapter, switch cover and switch and slip the clip over the adapter web and cover flange, as shown. Connect the wires from the monitoring device to the switch wires and pull the slack back through the conduit. Run two #10 x 1-1/2" sheet metal screws through the switch, switch cover and adapter. Fasten tightly to frame.

### CAUTION - DO NOT OVERTIGHTEN!

Insert the conduit into the nut on the connector and tighten the nut.

**NOTE:** Plastic anchors (part #101129-1) are provided for concrete reinforced frames. In this case (2) 1/4" dia. holes are drilled using the same template. Tap anchors lightly into holes until flush with frame. Assemble switch as stated above.



---

NOTE: DIMENSIONS MAY NOT BE ACCURATE WHEN PRINTING FROM WEBSITE  
PLEASE CONFIRM DIMENSIONS WITH RULER BEFORE USE

