



ROUND DOOR PULLS

PRODUCT DATA



FORMS+SURFACES®

HIGH PERFORMANCE PRODUCTS DESIGNED FOR PUBLIC SPACES



ROUND DOOR PULLS



PRODUCT DATA

Round Door Pulls offer a clean, cost-efficient solution for a broad range of applications. Pulls of Stainless Steel, Bronze and Brass are beautifully finished and grouped by diameter size into four distinct series. Each series includes a range of sizes, shapes and styles for maximum versatility.

SERIES DESCRIPTIONS

MATERIALS & FINISHES

SERIES	DESCRIPTION	STAINLESS STEEL		BRONZE		BRASS	
		US32	Polished Stainless Steel	US9	Polished Bronze	US3	Polished Brass
DT600	.625" (16mm) dia. solid Stainless Steel, Bronze and Brass	US32	Polished Stainless Steel	US9	Polished Bronze	US3	Polished Brass
DT1000	1" (25mm) dia. tubular Stainless Steel, Bronze and Brass	US32D	Satin Stainless Steel	US10	Satin Bronze	US4	Satin Brass
DT1200	1.25" (32mm) dia. tubular Stainless Steel, Bronze and Brass	SSS	Stippled Stainless Steel	US10B	Oil-Rubbed Bronze		
DT1500	1.5" (38mm) dia. tubular Stainless Steel, Bronze and Brass						

ENGRAVING

INSTALLATION & MAINTENANCE

ENGRAVING	INSTALLATION	MAINTENANCE
<ul style="list-style-type: none"> Engraved lettering with Black Infill is available for all Round Door Pulls <i>except</i> the DT600 Series. Please contact Inside Sales for more information. 	<ul style="list-style-type: none"> DT600 Series Round Door Pulls may be single mounted or mounted back-to-back on wood, metal or glass doors. DT600 Door Pulls are installed using Mounting System "A". A thread-locking adhesive such as Loctite® is recommended for secure installation. Refer to Mounting Options A1, A2, A3, A4, A5 and A6 shown below for additional information. DT1000 – DT1500 Series Round Door Pulls may be single mounted or mounted back-to-back on wood, metal or glass doors. DT1000 – DT1500 Door Pulls are installed using Mounting System "B". A thread-locking adhesive such as Loctite® is recommended for secure installation. Refer to Mounting Options B1, B2, B3, B4, B5, B6 and B7 shown below for additional information. 	<ul style="list-style-type: none"> Round Door Pulls are well-suited for interior or exterior use. Regular maintenance will help ensure the lasting beauty of each pull. For more information, please refer to <i>Door Hardware Care & Maintenance</i> found on our website.

MOUNTING OPTIONS

MOUNTING SYSTEM "A" FOR DT600 SERIES DOOR PULLS					
A-1 Back-to-back mount on wood or metal door with Rota-Lok.	A-2 Single mount on wood or metal door with through bolt.	A-3 Concealed single mount on aluminum frame door with Rota-Lok and customer's reinforcement.	A-4 Single mount on glass door with end cap purchased separately.	A-5 Back-to-back mount on glass door with Rota-Lok.	*A-6 Concealed single mount on wood door with threaded insert and Rota-Lok.
*Forms+Surfaces offers but does not recommend concealed mounting on wood doors. Frequent or heavy use can compromise the integrity of this mounting.					

MOUNTING SYSTEM "B" FOR DT1000-DT1500 SERIES DOOR PULLS						
B-1 Back-to-back mount on wood or metal door with Rota-Lok.	B-2 Single mount on glass door with end cap purchased separately.	B-3 Back-to-back mount on glass door with Rota-Lok.	B-4 Single mount on wood or metal door with through bolt.	*B-5 Concealed single mount on wood door with threaded insert and Rota-Lok.	B-6 "L" Configuration: Adapt one end of each pull for back-to back mounting with Rota-Lok. Specify "B" mounting for other ends.	B-7 Concealed single mount on aluminum frame door with Rota-Lok and customer's reinforcement.
*Forms+Surfaces offers but does not recommend concealed mounting on wood doors. Frequent or heavy use can compromise the integrity of this mounting.						

For more information on mounting Round Door Pulls, please refer to the *Hardware Installation Instruction Manual* found on our website.

T 1.800.451.0410 | F 412.781.7840 | www.forms-surfaces.com

FORMS+SURFACES®



Member of the USGBC | Member of the EGBC | LEED® Accredited Professional on Staff | FSC Certified Supplier | SCS-COC-001461 | ©1996 Forest Stewardship Council A.C.
 Offices Worldwide | © 2010 Forms+Surfaces® All dimensions are nominal. Specifications and pricing subject to change without notice.
 For the most current version of this document, please refer to our website at www.forms-surfaces.com.



ROUND DOOR PULLS



PRODUCT DATA

DESIGN OPTIONS - GRIPS & END CAPS

GRIPS	END CAPS																		
<table border="1"> <thead> <tr> <th>series</th> <th>grip diameter</th> </tr> </thead> <tbody> <tr> <td>DT600</td> <td>.625" (16mm)</td> </tr> <tr> <td>DT1000</td> <td>1" (25mm)</td> </tr> <tr> <td>DT1200</td> <td>1.25" (32mm)</td> </tr> <tr> <td>DT1500</td> <td>1.5" (38mm)</td> </tr> </tbody> </table>	series	grip diameter	DT600	.625" (16mm)	DT1000	1" (25mm)	DT1200	1.25" (32mm)	DT1500	1.5" (38mm)	<table border="1"> <thead> <tr> <th>model</th> <th>end cap diameter</th> </tr> </thead> <tbody> <tr> <td>DT1001</td> <td>1" (25mm)</td> </tr> <tr> <td>DT1201</td> <td>1.25" (32mm)</td> </tr> <tr> <td>DT1501</td> <td>1.5" (38mm)</td> </tr> </tbody> </table>	model	end cap diameter	DT1001	1" (25mm)	DT1201	1.25" (32mm)	DT1501	1.5" (38mm)
series	grip diameter																		
DT600	.625" (16mm)																		
DT1000	1" (25mm)																		
DT1200	1.25" (32mm)																		
DT1500	1.5" (38mm)																		
model	end cap diameter																		
DT1001	1" (25mm)																		
DT1201	1.25" (32mm)																		
DT1501	1.5" (38mm)																		

DESIGN OPTIONS - DT600 SERIES

DT600 SERIES - .625" (16MM) DIAMETER SOLID STAINLESS STEEL, BRONZE AND BRASS

DT0611	DT0621	DT0631																								
<table border="1"> <thead> <tr> <th>c.c.</th> <th>oal</th> <th>c.c.</th> <th>oal</th> </tr> </thead> <tbody> <tr> <td>6" (152mm)</td> <td>6.625" (168mm)</td> <td>18" (457mm)</td> <td>18.625" (473mm)</td> </tr> <tr> <td>12" (305mm)</td> <td>12.625" (321mm)</td> <td>24" (610mm)</td> <td>24.625" (625mm)</td> </tr> </tbody> </table>	c.c.	oal	c.c.	oal	6" (152mm)	6.625" (168mm)	18" (457mm)	18.625" (473mm)	12" (305mm)	12.625" (321mm)	24" (610mm)	24.625" (625mm)	<table border="1"> <thead> <tr> <th>c.c.</th> <th>oal</th> </tr> </thead> <tbody> <tr> <td>12" (305mm)</td> <td>12.625" (321mm)</td> </tr> <tr> <td>18" (457mm)</td> <td>18.625" (473mm)</td> </tr> <tr> <td>24" (610mm)</td> <td>24.625" (625mm)</td> </tr> </tbody> </table>	c.c.	oal	12" (305mm)	12.625" (321mm)	18" (457mm)	18.625" (473mm)	24" (610mm)	24.625" (625mm)	<table border="1"> <thead> <tr> <th>c.c.</th> <th>oal</th> </tr> </thead> <tbody> <tr> <td>12" (305mm)</td> <td>12.625" (321mm)</td> </tr> </tbody> </table>	c.c.	oal	12" (305mm)	12.625" (321mm)
c.c.	oal	c.c.	oal																							
6" (152mm)	6.625" (168mm)	18" (457mm)	18.625" (473mm)																							
12" (305mm)	12.625" (321mm)	24" (610mm)	24.625" (625mm)																							
c.c.	oal																									
12" (305mm)	12.625" (321mm)																									
18" (457mm)	18.625" (473mm)																									
24" (610mm)	24.625" (625mm)																									
c.c.	oal																									
12" (305mm)	12.625" (321mm)																									

PRICING - DT600 SERIES

Pricing does not include freight. No additional charge for mounting hardware. All pricing is for single units, not pairs.

MODEL	STAINLESS STEEL	BRONZE	BRASS
DT1001 End Cap; 1" (25mm) dia.	US32, US32D, SSS \$40	US9, US10, US10B \$56	US3, US4 \$56
DT0611 Straight; 6" (152mm) c.c.	US32, US32D, SSS \$162	US9, US10, US10B \$227	US3, US4 \$227
DT0611 Straight; 12" (305mm) c.c.	US32, US32D, SSS \$176	US9, US10, US10B \$246	US3, US4 \$246
DT0611 Straight; 18" (457mm) c.c.	US32, US32D, SSS \$187	US9, US10, US10B \$262	US3, US4 \$262
DT0611 Straight; 24" (610mm) c.c.	US32, US32D, SSS \$195	US9, US10, US10B \$273	US3, US4 \$273
DT0621 Offset; 12" (305mm) c.c.	US32, US32D, SSS \$187	US9, US10, US10B \$262	US3, US4 \$262
DT0621 Offset; 18" (457mm) c.c.	US32, US32D, SSS \$195	US9, US10, US10B \$273	US3, US4 \$273
DT0621 Offset; 24" (610mm) c.c.	US32, US32D, SSS \$203	US9, US10, US10B \$284	US3, US4 \$284
DT0631 C-Shape; 12" (305mm) c.c.	US32, US32D, SSS \$203	US9, US10, US10B \$284	US3, US4 \$284



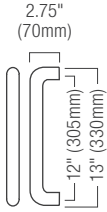
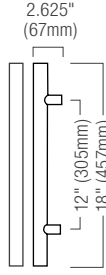
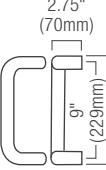
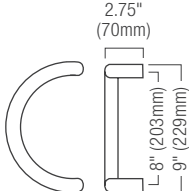


ROUND DOOR PULLS



PRODUCT DATA

DESIGN OPTIONS - DT1000 SERIES

DT1000 SERIES - 1" (25MM) DIAMETER TUBULAR STAINLESS STEEL, BRONZE AND BRASS																																											
 <table border="1"> <thead> <tr> <th>c.c.</th> <th>oal</th> </tr> </thead> <tbody> <tr> <td>12" (305mm)</td> <td>13" (330mm)</td> </tr> <tr> <td>18" (457mm)</td> <td>19" (483mm)</td> </tr> <tr> <td>24" (610mm)</td> <td>25" (635mm)</td> </tr> <tr> <td>30" (762mm)</td> <td>31" (787mm)</td> </tr> <tr> <td>36" (914mm)</td> <td>37" (940mm)</td> </tr> </tbody> </table> DT1011	c.c.	oal	12" (305mm)	13" (330mm)	18" (457mm)	19" (483mm)	24" (610mm)	25" (635mm)	30" (762mm)	31" (787mm)	36" (914mm)	37" (940mm)	 <table border="1"> <thead> <tr> <th>c.c.</th> <th>oal</th> </tr> </thead> <tbody> <tr> <td>12" (305mm)</td> <td>18" (457mm)</td> </tr> <tr> <td>18" (457mm)</td> <td>24" (610mm)</td> </tr> <tr> <td>24" (610mm)</td> <td>30" (762mm)</td> </tr> <tr> <td>30" (762mm)</td> <td>36" (914mm)</td> </tr> <tr> <td>36" (914mm)</td> <td>42" (1067mm)</td> </tr> </tbody> </table> DT1014	c.c.	oal	12" (305mm)	18" (457mm)	18" (457mm)	24" (610mm)	24" (610mm)	30" (762mm)	30" (762mm)	36" (914mm)	36" (914mm)	42" (1067mm)	 <table border="1"> <thead> <tr> <th>c.c.</th> <th>oal</th> </tr> </thead> <tbody> <tr> <td>9" (229mm)</td> <td>10" (254mm)</td> </tr> <tr> <td>12" (305mm)</td> <td>13" (330mm)</td> </tr> <tr> <td>18" (457mm)</td> <td>19" (483mm)</td> </tr> <tr> <td>24" (610mm)</td> <td>25" (635mm)</td> </tr> </tbody> </table> DT1021	c.c.	oal	9" (229mm)	10" (254mm)	12" (305mm)	13" (330mm)	18" (457mm)	19" (483mm)	24" (610mm)	25" (635mm)	 <table border="1"> <thead> <tr> <th>c.c.</th> <th>oal</th> </tr> </thead> <tbody> <tr> <td>8" (203mm)</td> <td>9" (229mm)</td> </tr> <tr> <td>12" (305mm)</td> <td>13" (330mm)</td> </tr> </tbody> </table> DT1031	c.c.	oal	8" (203mm)	9" (229mm)	12" (305mm)	13" (330mm)
c.c.	oal																																										
12" (305mm)	13" (330mm)																																										
18" (457mm)	19" (483mm)																																										
24" (610mm)	25" (635mm)																																										
30" (762mm)	31" (787mm)																																										
36" (914mm)	37" (940mm)																																										
c.c.	oal																																										
12" (305mm)	18" (457mm)																																										
18" (457mm)	24" (610mm)																																										
24" (610mm)	30" (762mm)																																										
30" (762mm)	36" (914mm)																																										
36" (914mm)	42" (1067mm)																																										
c.c.	oal																																										
9" (229mm)	10" (254mm)																																										
12" (305mm)	13" (330mm)																																										
18" (457mm)	19" (483mm)																																										
24" (610mm)	25" (635mm)																																										
c.c.	oal																																										
8" (203mm)	9" (229mm)																																										
12" (305mm)	13" (330mm)																																										

PRICING - DT1000 SERIES

Pricing does not include freight. No additional charge for mounting hardware. All pricing is for single units, not pairs.

MODEL	STAINLESS STEEL	BRONZE	BRASS
DT1001 End Cap; 1" (25mm) dia.	US32, US32D, SSS \$40	US9, US10, US10B \$56	US3, US4 \$56
DT1011 Straight; 12" (305mm) c.c.	US32, US32D, SSS \$171	US9, US10, US10B \$239	US3, US4 \$239
DT1011 Straight; 18" (457mm) c.c.	US32, US32D, SSS \$180	US9, US10, US10B \$252	US3, US4 \$252
DT1011 Straight; 24" (610mm) c.c.	US32, US32D, SSS \$188	US9, US10, US10B \$263	US3, US4 \$263
DT1011 Straight; 30" (762mm) c.c.	US32, US32D, SSS \$195	US9, US10, US10B \$273	US3, US4 \$273
DT1011 Straight; 36" (914mm) c.c.	US32, US32D, SSS \$201	US9, US10, US10B \$281	US3, US4 \$281
DT1014 Straight; 12" (305mm) c.c.	US32, US32D, SSS \$219	US9, US10, US10B \$307	US3, US4 \$307
DT1014 Straight; 18" (457mm) c.c.	US32, US32D, SSS \$228	US9, US10, US10B \$319	US3, US4 \$319
DT1014 Straight; 24" (610mm) c.c.	US32, US32D, SSS \$235	US9, US10, US10B \$329	US3, US4 \$329
DT1014 Straight; 30" (762mm) c.c.	US32, US32D, SSS \$241	US9, US10, US10B \$337	US3, US4 \$337
DT1014 Straight; 36" (914mm) c.c.	US32, US32D, SSS \$247	US9, US10, US10B \$346	US3, US4 \$346
DT1021 Offset; 9" (229mm) c.c.	US32, US32D, SSS \$180	US9, US10, US10B \$252	US3, US4 \$252
DT1021 Offset; 12" (305mm) c.c.	US32, US32D, SSS \$188	US9, US10, US10B \$263	US3, US4 \$263
DT1021 Offset; 18" (457mm) c.c.	US32, US32D, SSS \$201	US9, US10, US10B \$281	US3, US4 \$281
DT1021 Offset; 24" (610mm) c.c.	US32, US32D, SSS \$235	US9, US10, US10B \$329	US3, US4 \$329
DT1031 C-Shape; 8" (203mm) c.c.	US32, US32D, SSS \$188	US9, US10, US10B \$263	US3, US4 \$263
DT1031 C-Shape; 12" (305mm) c.c.	US32, US32D, SSS \$201	US9, US10, US10B \$281	US3, US4 \$281





ROUND DOOR PULLS



PRODUCT DATA

DESIGN OPTIONS - DT1200 SERIES

DT1200 SERIES - 1.25" (32MM) DIAMETER TUBULAR STAINLESS STEEL, BRONZE AND BRASS				
	c.c.	oal	c.c.	oal
	9"	10.25"	36"	37.25"
	(229mm)	(260mm)	(914mm)	(946mm)
	12"	13.25"	48"	49.25"
	(305mm)	(337mm)	(1219mm)	(1251mm)
	18"	19.25"	79"	80.25"
(457mm)	(489mm)	(2007mm)	2038mm)	
24"	25.25"	91"	92.25"	
(610mm)	(641mm)	(2311mm)	(2343mm)	
30"	31.25"			
(762mm)	(794mm)			
*DT1211				
	c.c.	oal	c.c.	oal
	12"	18"	36"	42"
	(305mm)	(457mm)	(914mm)	(1067mm)
	18"	24"	48"	54"
	(457mm)	(610mm)	(1219mm)	(1372mm)
	24"	30"	74"	80"
(610mm)	(762mm)	(1880mm)	(2032mm)	
30"	36"	86"	92"	
(762mm)	(914mm)	(2184mm)	(2337mm)	
*DT1214				
*DT1211 and DT1214 are available as ADA compliant handrails in our CabForms® and LEVELe™ elevator interiors. Please call or visit our website for more information.				

PRICING - DT1200 SERIES

Pricing does not include freight. No additional charge for mounting hardware. All pricing is for single units, not pairs.

MODEL	STAINLESS STEEL	BRONZE	BRASS
DT1201 End cap; 1.25" (32mm) dia.	US32, US32D, SSS \$74	US9, US10, US10B \$100	US3, US4 \$100
DT1211 Straight; 9" (229mm) c.c.	US32, US32D, SSS \$191	US9, US10, US10B \$267	US3, US4 \$267
DT1211 Straight; 12" (305mm) c.c.	US32, US32D, SSS \$202	US9, US10, US10B \$283	US3, US4 \$283
DT1211 Straight; 18" (457mm) c.c.	US32, US32D, SSS \$212	US9, US10, US10B \$297	US3, US4 \$297
DT1211 Straight; 24" (610mm) c.c.	US32, US32D, SSS \$221	US9, US10, US10B \$309	US3, US4 \$309
DT1211 Straight; 30" (762mm) c.c.	US32, US32D, SSS \$238	US9, US10, US10B \$333	US3, US4 \$333
DT1211 Straight; 36" (914mm) c.c.	US32, US32D, SSS \$255	US9, US10, US10B \$357	US3, US4 \$357
DT1211 Straight; 48" (1219mm) c.c.	US32, US32D, SSS \$291	US9, US10, US10B \$407	US3, US4 \$407
DT1211 Straight; 79" (2007mm) c.c.	US32, US32D, SSS \$378	US9, US10, US10B \$529	US3, US4 \$529
DT1211 Straight; 91" (2311mm) c.c.	US32, US32D, SSS \$413	US9, US10, US10B \$578	US3, US4 \$578
DT1214 Straight; 12" (305mm) c.c.	US32, US32D, SSS \$242	US9, US10, US10B \$339	US3, US4 \$339
DT1214 Straight; 18" (457mm) c.c.	US32, US32D, SSS \$252	US9, US10, US10B \$353	US3, US4 \$353
DT1214 Straight; 24" (610mm) c.c.	US32, US32D, SSS \$261	US9, US10, US10B \$365	US3, US4 \$365
DT1214 Straight; 30" (762mm) c.c.	US32, US32D, SSS \$278	US9, US10, US10B \$389	US3, US4 \$389
DT1214 Straight; 36" (914mm) c.c.	US32, US32D, SSS \$295	US9, US10, US10B \$413	US3, US4 \$413
DT1214 Straight; 48" (1219mm) c.c.	US32, US32D, SSS \$331	US9, US10, US10B \$463	US3, US4 \$463
DT1214 Straight; 74" (1880mm) c.c.	US32, US32D, SSS \$418	US9, US10, US10B \$585	US3, US4 \$585
DT1214 Straight; 86" (2184mm) c.c.	US32, US32D, SSS \$453	US9, US10, US10B \$634	US3, US4 \$634





ROUND DOOR PULLS



PRODUCT DATA

DT1200 Series (Continued)

DESIGN OPTIONS - DT1200 SERIES

DT1200 SERIES - 1.25" (32MM) DIAMETER TUBULAR STAINLESS STEEL, BRONZE AND BRASS																						
<table border="1"> <thead> <tr> <th>c.c.</th> <th>oal</th> </tr> </thead> <tbody> <tr> <td>9" (229mm)</td> <td>10.25" (260mm)</td> </tr> <tr> <td>12" (305mm)</td> <td>13.25" (337mm)</td> </tr> <tr> <td>18" (457mm)</td> <td>19.25" (489mm)</td> </tr> <tr> <td>24" (610mm)</td> <td>25.25" (641mm)</td> </tr> </tbody> </table>	c.c.	oal	9" (229mm)	10.25" (260mm)	12" (305mm)	13.25" (337mm)	18" (457mm)	19.25" (489mm)	24" (610mm)	25.25" (641mm)	<table border="1"> <thead> <tr> <th>c.c.</th> <th>oal</th> </tr> </thead> <tbody> <tr> <td>12" (305mm)</td> <td>13.25" (337mm)</td> </tr> </tbody> </table>	c.c.	oal	12" (305mm)	13.25" (337mm)	<table border="1"> <thead> <tr> <th>c.c.</th> <th>oal</th> </tr> </thead> <tbody> <tr> <td>12" (305mm)</td> <td>13.25" (337mm)</td> </tr> <tr> <td>16" (406mm)</td> <td>17.25" (438mm)</td> </tr> </tbody> </table>	c.c.	oal	12" (305mm)	13.25" (337mm)	16" (406mm)	17.25" (438mm)
c.c.	oal																					
9" (229mm)	10.25" (260mm)																					
12" (305mm)	13.25" (337mm)																					
18" (457mm)	19.25" (489mm)																					
24" (610mm)	25.25" (641mm)																					
c.c.	oal																					
12" (305mm)	13.25" (337mm)																					
c.c.	oal																					
12" (305mm)	13.25" (337mm)																					
16" (406mm)	17.25" (438mm)																					
DT1221	DT1231	DT1241																				

PRICING - DT1200 SERIES

Pricing does not include freight. No additional charge for mounting hardware. All pricing is for single units, not pairs.

MODEL	STAINLESS STEEL	BRONZE	BRASS
DT1201 End cap; 1.25" (32mm) dia.	US32, US32D, SSS \$74	US9, US10, US10B \$100	US3, US4 \$100
DT1221 Offset; 9" (229mm) c.c.	US32, US32D, SSS \$215	US9, US10, US10B \$301	US3, US4 \$301
DT1221 Offset; 12" (305mm) c.c.	US32, US32D, SSS \$226	US9, US10, US10B \$316	US3, US4 \$316
DT1221 Offset; 18" (457mm) c.c.	US32, US32D, SSS \$236	US9, US10, US10B \$330	US3, US4 \$330
DT1221 Offset; 24" (610mm) c.c.	US32, US32D, SSS \$245	US9, US10, US10B \$343	US3, US4 \$343
DT1231 C-Shape; 12" (305mm) c.c.	US32, US32D, SSS \$236	US9, US10, US10B \$330	US3, US4 \$330
DT1241 Boomerang; 12" (305mm) c.c.	US32, US32D, SSS \$226	US9, US10, US10B \$316	US3, US4 \$316
DT1241 Boomerang; 16" (406mm) c.c.	US32, US32D, SSS \$236	US9, US10, US10B \$330	US3, US4 \$330





ROUND DOOR PULLS



PRODUCT DATA

DESIGN OPTIONS - DT1500 SERIES

DT1500 SERIES - 1.5" (38MM) DIAMETER TUBULAR STAINLESS STEEL, BRONZE AND BRASS				
	c.c.	oal	c.c.	oal
	12"	13.5"	36"	37.5"
	(305mm)	(343mm)	(914mm)	(953mm)
	18"	19.5"	48"	49.5"
	(457mm)	(495mm)	(1219mm)	(1257mm)
24"	25.5"	78.5"	80"	
(610mm)	(648mm)	(1994mm)	2032mm)	
30"	31.5"	90.5"	92"	
(762mm)	(800mm)	(2299mm)	(2337mm)	
*DT1511				
	c.c.	oal	c.c.	oal
	9"	10.5"	18"	19.5"
	(229mm)	(267mm)	(457mm)	(495mm)
	12"	13.5"	18"	19.5"
	(305mm)	(343mm)	(457mm)	(495mm)
18"	19.5"	24"	25.5"	
(457mm)	(495mm)	(610mm)	(648mm)	
DT1512				
	c.c.	oal	c.c.	oal
	12"	18"	36"	42"
	(305mm)	(457mm)	(914mm)	(1067mm)
	18"	24"	48"	54"
	(457mm)	(610mm)	(1219mm)	(1372mm)
24"	30"	74"	80"	
(610mm)	(762mm)	(1880mm)	(2032mm)	
30"	36"	86"	92"	
(762mm)	(914mm)	(2184mm)	(2337mm)	
*DT1514				
*DT1511 & *DT1514 are available as ADA compliant handrails in our CabForms® and LEVELe™ elevator interiors. Please call or visit our website for more information.				

PRICING - DT1500 SERIES

Pricing does not include freight. No additional charge for mounting hardware. All pricing is for single units, not pairs.

MODEL	STAINLESS STEEL	BRONZE	BRASS
DT1501 End Cap; 1.5" (38mm) dia.	US32, US32D, SSS \$74	US9, US10, US10B \$100	US3, US4 \$100
DT1511 Straight; 12" (305mm) c.c.	US32, US32D, SSS \$243	US9, US10, US10B \$340	US3, US4 \$340
DT1511 Straight; 18" (457mm) c.c.	US32, US32D, SSS \$258	US9, US10, US10B \$361	US3, US4 \$361
DT1511 Straight; 24" (610mm) c.c.	US32, US32D, SSS \$272	US9, US10, US10B \$381	US3, US4 \$381
DT1511 Straight; 30" (762mm) c.c.	US32, US32D, SSS \$285	US9, US10, US10B \$399	US3, US4 \$399
DT1511 Straight; 36" (914mm) c.c.	US32, US32D, SSS \$297	US9, US10, US10B \$416	US3, US4 \$416
DT1511 Straight; 48" (1219mm) c.c.	US32, US32D, SSS \$337	US9, US10, US10B \$472	US3, US4 \$472
DT1511 Straight; 78.5" (1994mm) c.c.	US32, US32D, SSS \$417	US9, US10, US10B \$584	US3, US4 \$584
DT1511 Straight; 90.5" (2299mm) c.c.	US32, US32D, SSS \$457	US9, US10, US10B \$640	US3, US4 \$640
DT1512 Straight; 9" (229mm) c.c.	US32, US32D, SSS \$276	US9, US10, US10B \$386	US3, US4 \$386
DT1512 Straight; 12" (305mm) c.c.	US32, US32D, SSS \$292	US9, US10, US10B \$409	US3, US4 \$409
DT1512 Straight; 18" (457mm) c.c.	US32, US32D, SSS \$308	US9, US10, US10B \$431	US3, US4 \$431
DT1512 Straight; 24" (610mm) c.c.	US32, US32D, SSS \$322	US9, US10, US10B \$451	US3, US4 \$451
DT1514 Straight; 12" (229mm) c.c.	US32, US32D, SSS \$293	US9, US10, US10B \$410	US3, US4 \$410
DT1514 Straight; 18" (457mm) c.c.	US32, US32D, SSS \$308	US9, US10, US10B \$431	US3, US4 \$431
DT1514 Straight; 24" (610mm) c.c.	US32, US32D, SSS \$322	US9, US10, US10B \$451	US3, US4 \$451
DT1514 Straight; 30" (762mm) c.c.	US32, US32D, SSS \$335	US9, US10, US10B \$469	US3, US4 \$469
DT1514 Straight; 36" (914mm) c.c.	US32, US32D, SSS \$347	US9, US10, US10B \$486	US3, US4 \$486
DT1514 Straight; 48" (1219mm) c.c.	US32, US32D, SSS \$382	US9, US10, US10B \$535	US3, US4 \$535
DT1514 Straight; 74" (1880mm) c.c.	US32, US32D, SSS \$462	US9, US10, US10B \$647	US3, US4 \$647
DT1514 Straight; 86" (2184mm) c.c.	US32, US32D, SSS \$502	US9, US10, US10B \$703	US3, US4 \$703





ROUND DOOR PULLS



PRODUCT DATA

DT1500 Series (Continued)

DESIGN OPTIONS - DT1500 SERIES

DT1500 SERIES - 1.5" (38MM) DIAMETER TUBULAR STAINLESS STEEL, BRONZE AND BRASS																												
<table border="1" style="margin: 10px auto;"> <tr><th>c.c.</th><th>oal</th></tr> <tr><td>12" (305mm)</td><td>13.5" (343mm)</td></tr> <tr><td>18" (457mm)</td><td>19.5" (495mm)</td></tr> <tr><td>24" (610mm)</td><td>25.5" (648mm)</td></tr> </table>	c.c.	oal	12" (305mm)	13.5" (343mm)	18" (457mm)	19.5" (495mm)	24" (610mm)	25.5" (648mm)	<table border="1" style="margin: 10px auto;"> <tr><th>c.c.</th><th>oal</th></tr> <tr><td>16" (406mm)</td><td>17.5" (444mm)</td></tr> </table>	c.c.	oal	16" (406mm)	17.5" (444mm)	<table border="1" style="margin: 10px auto;"> <tr><th>c.c.</th><th>oal</th></tr> <tr><td>12" (305mm)</td><td>13.5" (343mm)</td></tr> <tr><td>16" (406mm)</td><td>17.5" (444mm)</td></tr> </table>	c.c.	oal	12" (305mm)	13.5" (343mm)	16" (406mm)	17.5" (444mm)	<table border="1" style="margin: 10px auto;"> <tr><th>c.c.</th><th>oal</th></tr> <tr><td>12" (305mm)</td><td>17.125" (435mm)</td></tr> <tr><td>16" (406mm)</td><td>21.125" (537mm)</td></tr> </table>	c.c.	oal	12" (305mm)	17.125" (435mm)	16" (406mm)	21.125" (537mm)	
c.c.	oal																											
12" (305mm)	13.5" (343mm)																											
18" (457mm)	19.5" (495mm)																											
24" (610mm)	25.5" (648mm)																											
c.c.	oal																											
16" (406mm)	17.5" (444mm)																											
c.c.	oal																											
12" (305mm)	13.5" (343mm)																											
16" (406mm)	17.5" (444mm)																											
c.c.	oal																											
12" (305mm)	17.125" (435mm)																											
16" (406mm)	21.125" (537mm)																											
DT1521	DT1531	DT1541	DT1542	DT1552 (LEFT) / DT1562 (RIGHT)																								

PRICING - DT1500 SERIES

Pricing does not include freight. No additional charge for mounting hardware. All pricing is for single units, not pairs.

MODEL	STAINLESS STEEL	BRONZE	BRASS
DT1501 End Cap; 1.5" (38mm) dia.	US32, US32D, SSS \$74	US9, US10, US10B \$100	US3, US4 \$100
DT1521 Offset; 12" (305mm) c.c.	US32, US32D, SSS \$268	US9, US10, US10B \$375	US3, US4 \$375
DT1521 Offset; 18" (457mm) c.c.	US32, US32D, SSS \$283	US9, US10, US10B \$396	US3, US4 \$396
DT1521 Offset; 24" (610mm) c.c.	US32, US32D, SSS \$297	US9, US10, US10B \$416	US3, US4 \$416
DT1531 C-Shape; 16" (406mm) c.c.	US32, US32D, SSS \$283	US9, US10, US10B \$396	US3, US4 \$396
DT1541 Boomerang; 12" (305mm) c.c.	US32, US32D, SSS \$268	US9, US10, US10B \$375	US3, US4 \$375
DT1541 Boomerang; 16" (406mm) c.c.	US32, US32D, SSS \$283	US9, US10, US10B \$396	US3, US4 \$396
DT1542 Boomerang; 12" (305mm) c.c.	US32, US32D, SSS \$298	US9, US10, US10B \$417	US3, US4 \$417
DT1542 Boomerang; 16" (406mm) c.c.	US32, US32D, SSS \$313	US9, US10, US10B \$438	US3, US4 \$438
DT1552 Left; 36" (914mm) c.c. nom.	US32, US32D, SSS \$337	US9, US10, US10B \$472	US3, US4 \$472
DT1562 Right; 36" (914mm) c.c. nom.	US32, US32D, SSS \$337	US9, US10, US10B \$472	US3, US4 \$472

HOW TO SPECIFY:

Provide model number, center to center (c.c.) dimension, quantity, metal and finish, mounting option, door material and thickness and engraving (if applicable). Please note that engraved lettering with black infill is available for all Round Door Pulls *except* the DT600 Series. Please contact Inside Sales for details.

T 1.800.451.0410 | F 412.781.7840 | www.forms-surfaces.com

FORMS+SURFACES®



Member of the USGBC | Member of the EGBC | LEED® Accredited Professional on Staff | FSC Certified Supplier | SCS-COC-001461 | ©1996 Forest Stewardship Council A.C.
 Offices Worldwide | © 2010 Forms+Surfaces® All dimensions are nominal. Specifications and pricing subject to change without notice.
 For the most current version of this document, please refer to our website at www.forms-surfaces.com.