

Product Components

- ① 4500 Electric Strike Body
- ② Deadlatch Tab for Mortise locksets
- ③ Screws for Deadlatch or Filler Tabs
- ④ Filler Tab for Cylindrical Locksets
- ⑤ Trim Enhancer (with screws)
- ⑥ Plug in connector
- ⑦ #12-24 Mounting Screws

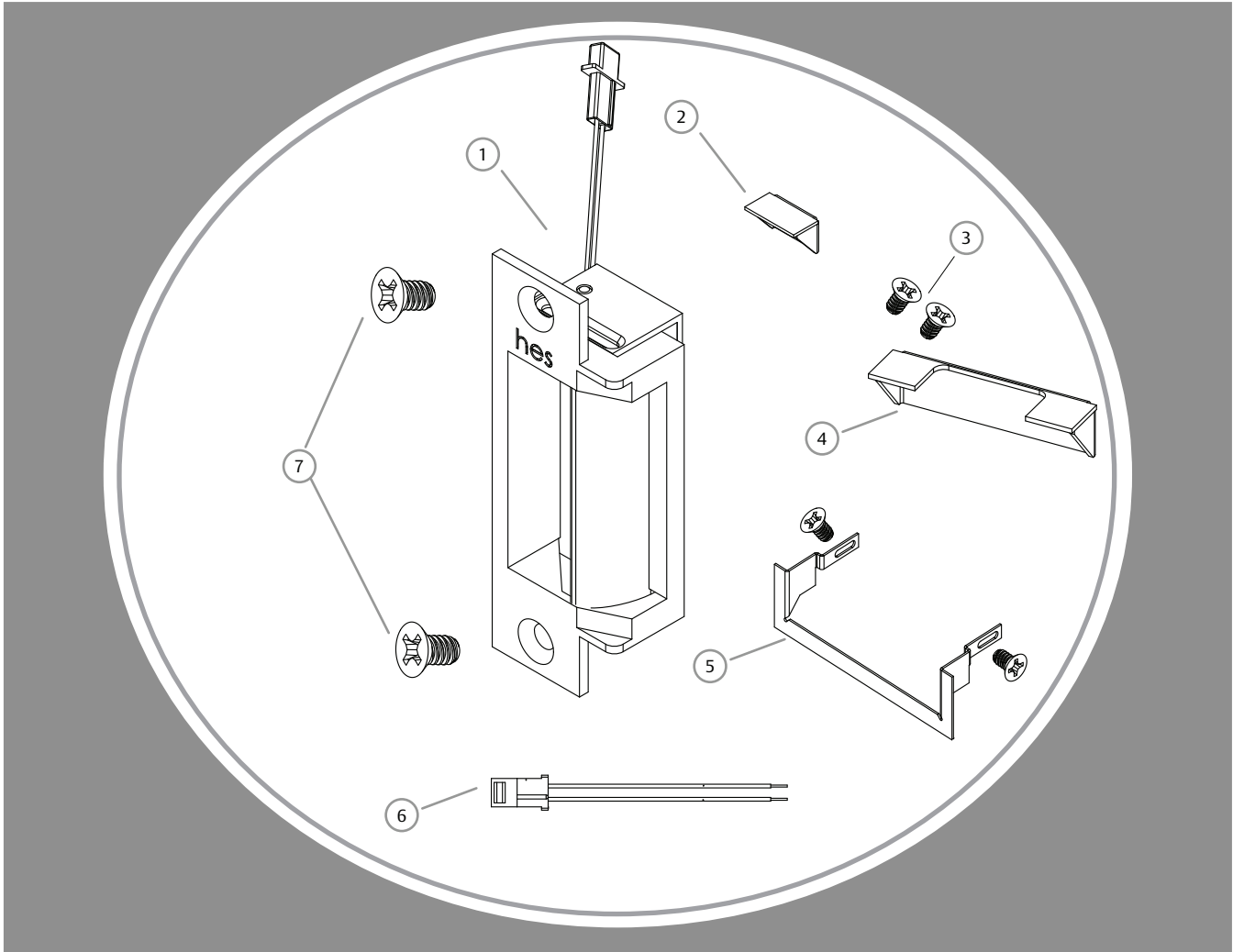


Diagram 1: Electrical Specifications

ELECTRICAL RATINGS FOR SOLENOID	CONTINUOUS DUTY		INTERMITTENT DUTY*	
	12VDC	24VDC	12VAC	24VAC
Resistance in Ohms	50	200	50	200
Amps	.24	.12	.24	.12

Solenoids are rated at +/- 10% indicated value.
*10% max duty cycle (2 min. max on time)

MINIMUM WIRE GAUGE REQUIREMENTS	SOLENOID VOLTAGE	
	12VDC	24VDC
200 feet or less	18 gauge	18 gauge
200 - 300 feet	18 gauge	16 gauge
300 - 400 feet	16 gauge	14 gauge

Installation Directions

CAUTION! Before connecting any device at the installation site, verify input voltage using a multimeter. Many power supplies and low voltage transformers operate at higher levels than listed. Any input voltage exceeding 10% of the solenoid rating may cause severe damage to the unit and will void the warranty.

Prepare Strike

1. Check power source and make sure that the electric strike is configured to the appropriate voltage. This electric strike ships as 12V. If you need to convert the unit from 12V to 24V, see Diagram 2.
2. If using Latchbolt Monitor (LBM) or Latchbolt Strike Monitor (LBSM), see Diagram 3 & 4 on page 3 to complete wiring.
3. The correct deadlatch or filler tab must be installed in the strike body. See Diagram 5 & 6 on page 3 for installation instructions.

Prepare Frame

4. Prepare frame using appropriate template for your lockset on page 4. Schlage L9000 & Yale 8700 locksets must use the template labeled "Schlage L9000 & Yale 8700 Locks Only". All other locksets should use the template labeled "CYLINDRICAL LOCKSET" or "MORTISE LOCKSET".

Finish Installing

5. Connect wires from the power source to the strike.
6. Install the electric strike unit in jamb cutout, using #12-24 screws provided.

DIAGRAM 2: 12V to 24V CONVERSION

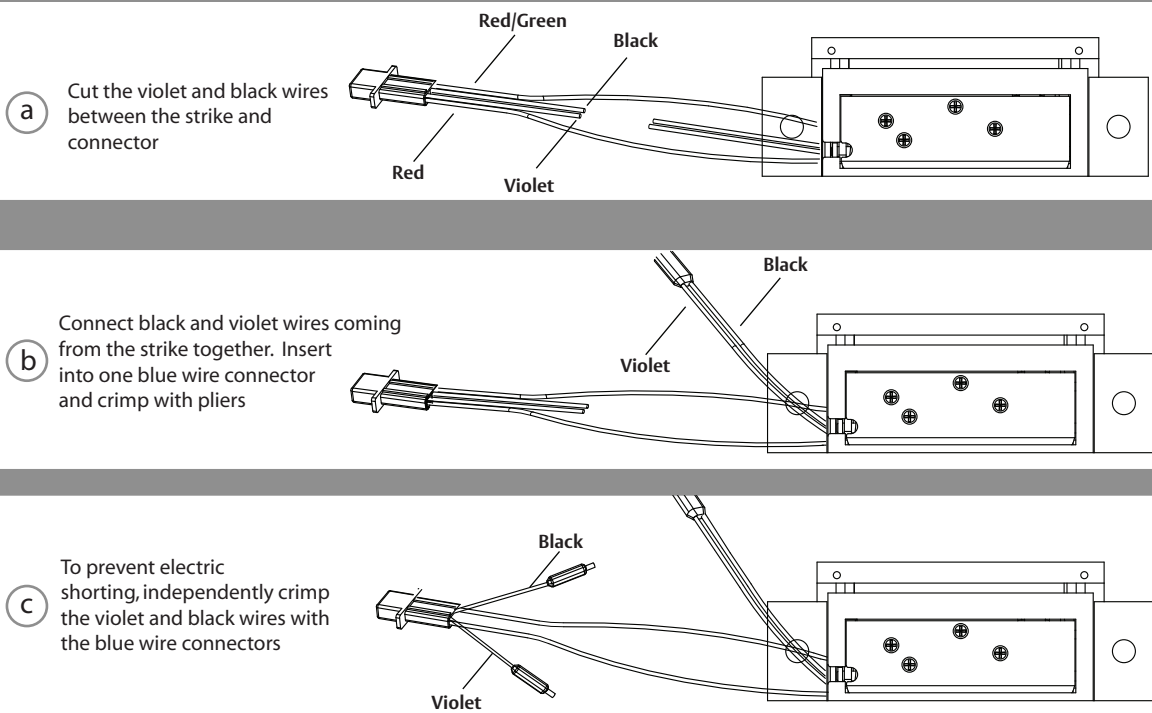


DIAGRAM 3: LATCHBOLT MONITOR

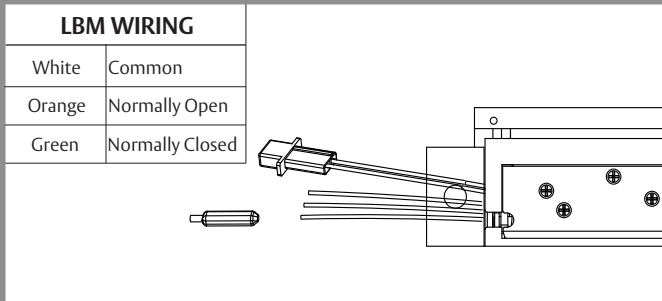


DIAGRAM 4: STRIKE MONITOR

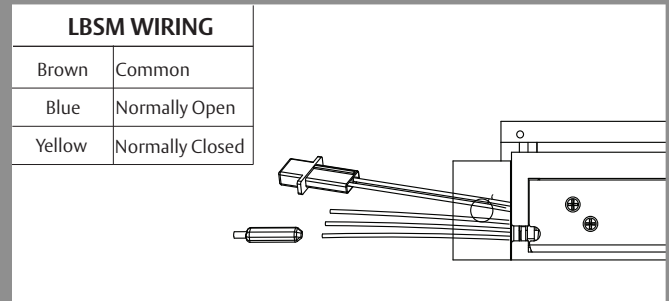


DIAGRAM 5: CYLINDRICAL LOCKSETS

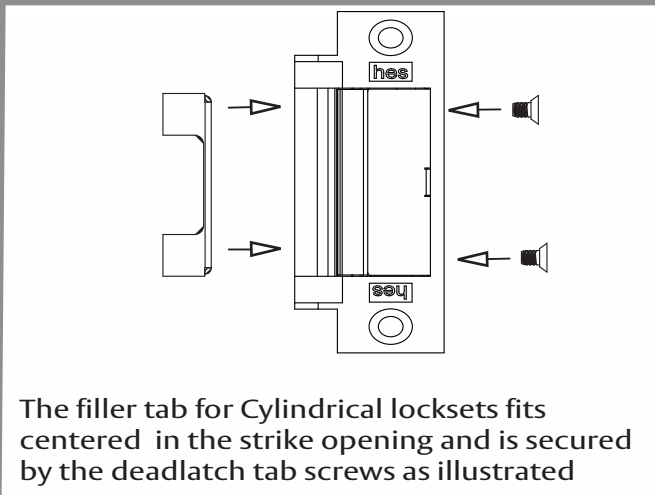


DIAGRAM 6: MORTISE LOCKSETS

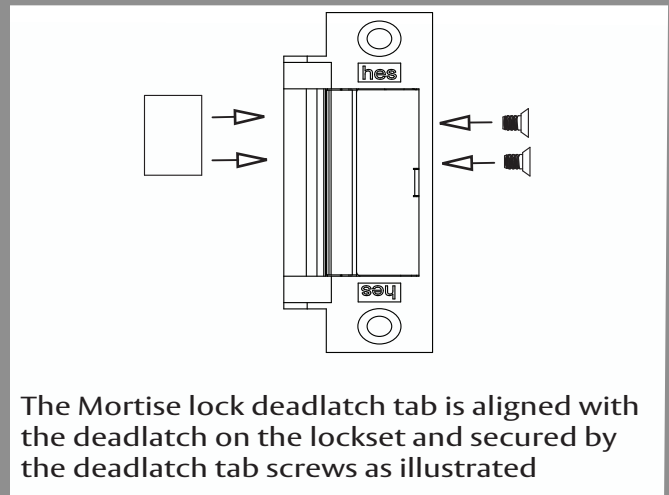


DIAGRAM 7: JAMB VIEW

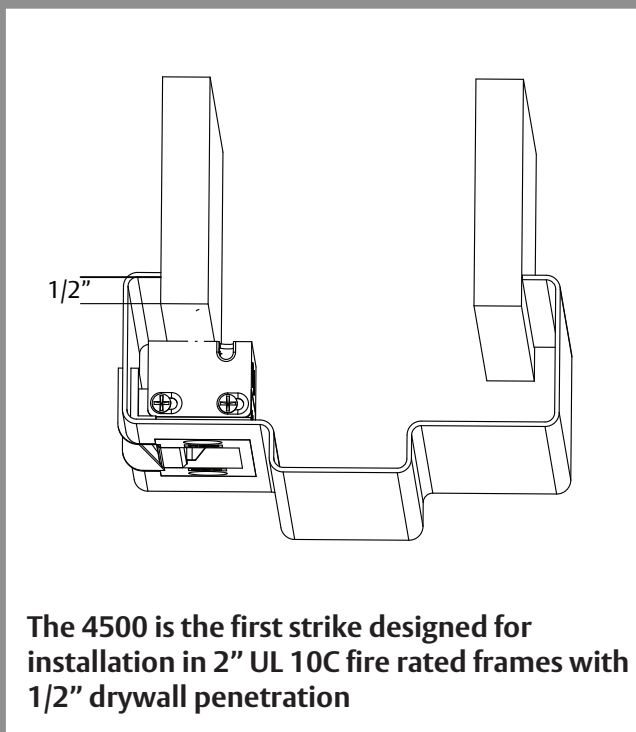
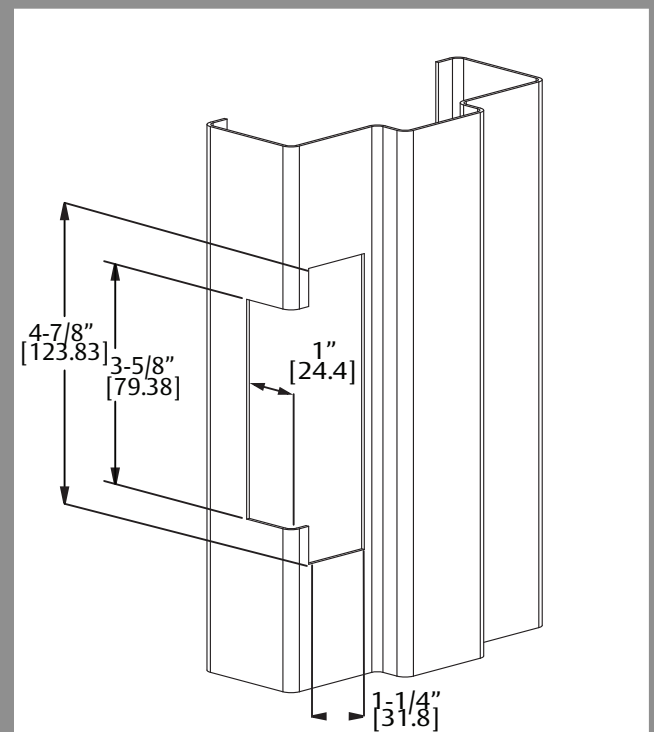
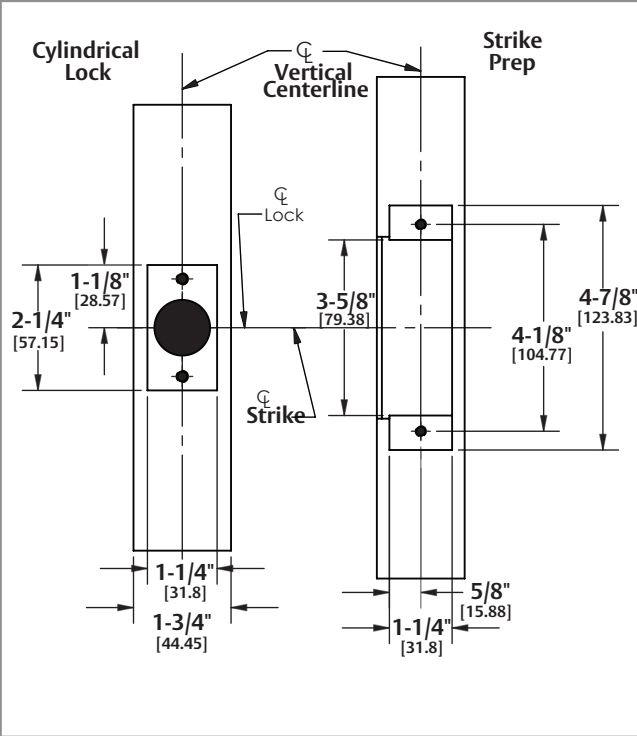


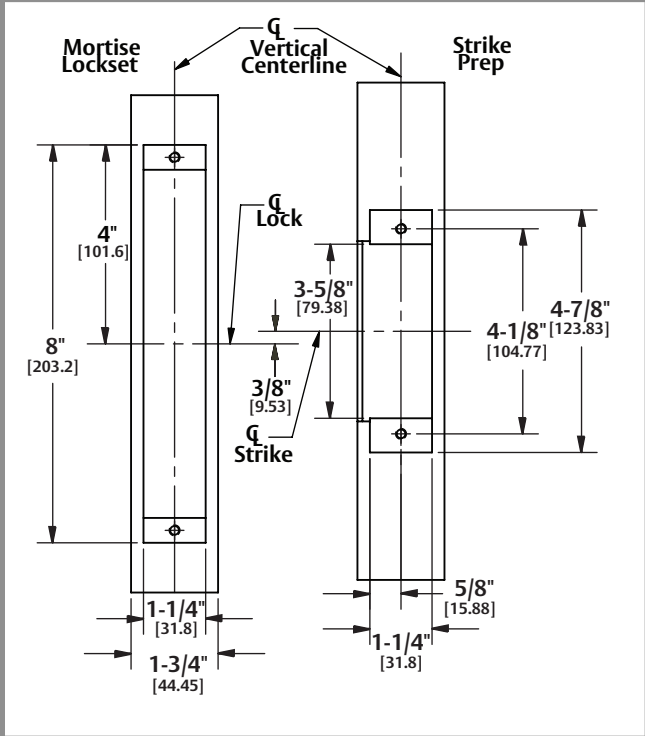
DIAGRAM 8: JAMB CUTOUT DIMENSIONS



4500 WITH CYLINDRICAL LOCKSET



4500 WITH MORTISE LOCKSETS



4500 WITH SCHLAGE L9000 & YALE 8700 LOCKS ONLY

