

We offer several types of faceplate options to accommodate your application. Faceplate options sold separately.



shown with 501A option and LBM monitor



The Grade 1 adjustable solution

Designed with the installer in mind, the 5200 series raises the standard in adaptability for electric strikes. Offering features such as an all new innovative approach to in-frame horizontal adjustability, the 5200 electric strike is the perfect fit for multiple applications. The field selectable fail secure/fail safe unit is easy to install and accommodates 3/4" latchbolts.

Specifications

- UL 1034, burglary-resistant listed
- ANSI/BHMA A156.31, Grade 1
- Patented design

Frame application

- Steel
- Aluminum
- Wood

Electrical

- .24 Amp @ 12VDC/VAC
- .12 Amp @ 24VDC/VAC
- DC continuous duty/AC intermittent duty only

Standard Features

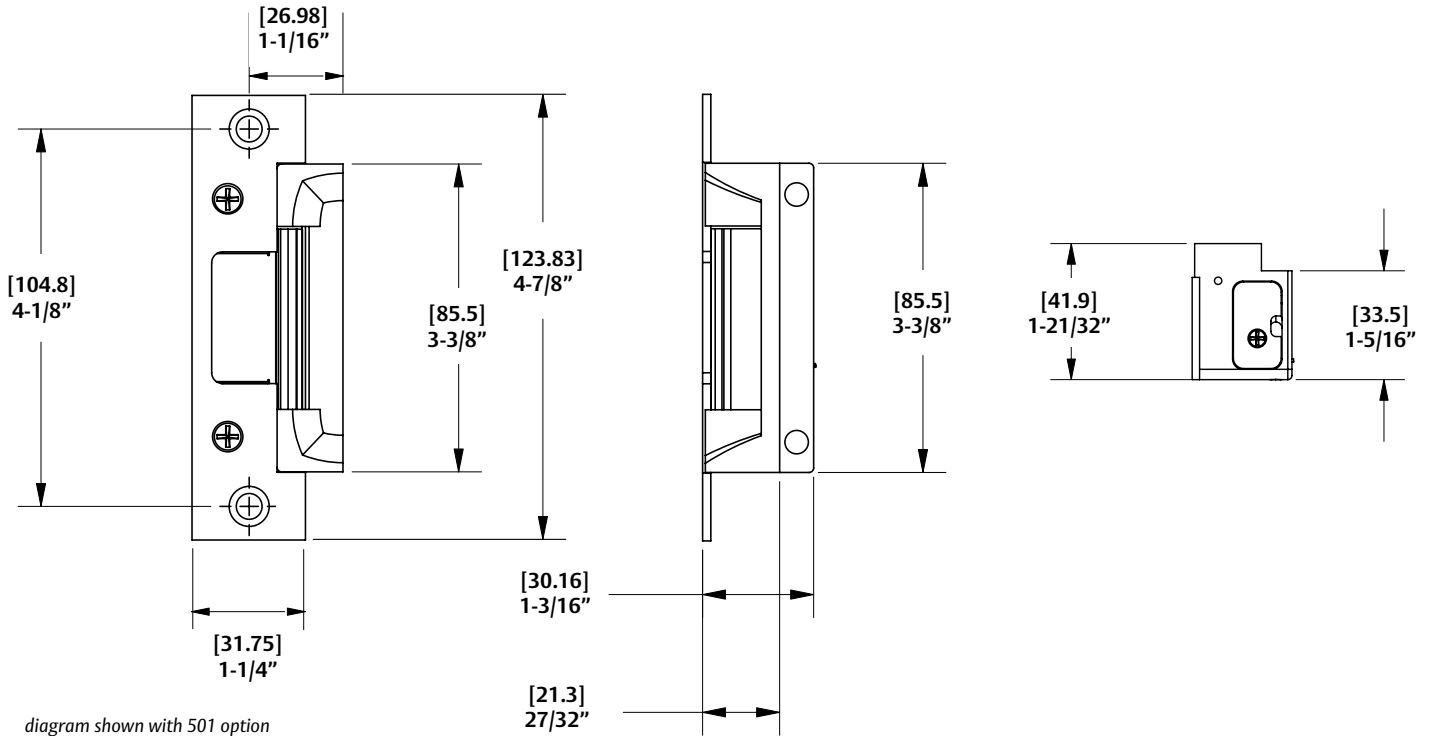
- Tamper resistant
- Static strength 1,500 lbs.
- Dynamic strength 70 ft-lbs.
- Endurance 500,000 cycles
- Field selectable fail secure/ fail safe
- Dual voltage 12 or 24 VDC/VAC
- In-frame horizontal adjustment
- Non-handed
- Internally mounted solenoid
- Accommodates 5/8" - 3/4" latchbolt (3/4" with 1/8" door gap)
- Strike body depth 1-3/16"
- Plug-in connector
- Trim enhancer included
- Five year limited warranty

cylindrical locksets



specialty locksets





Optional Features

- LBM - Latchbolt monitor
- LBSM - Latchbolt strike monitor

Accessories

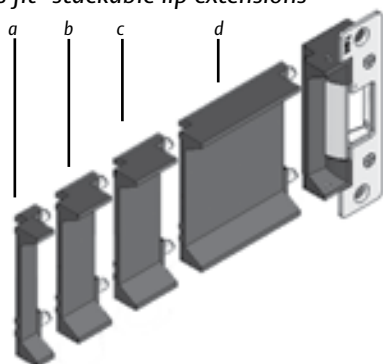
- 5200-500 Filler block for retro-fit applications
- 154 - MTK Metal template kit
- 2001 - Plug-in bridge rectifier
- 2004 - ElectroLynx[®] adapter
- 2005 - SMART Pac II™
- 2006P - Plug-in buzzer
- 2009P - Plug-in LED
- Four "press fit" stackable lip extensions
- 2003 MOV

Finishes

- 630 - Satin stainless steel finish
- 313 - Brown anodized finish (501B and 503B options only)
- 605 - Bright brass finish
- 606 - Satin brass finish
- 612 - Satin bronze finish
- 613 - Bronze toned finish
- 628 - Silver finish
- 629 - Bright stainless steel finish (501B and 503B options only)
- BLK - Black finish

diagram shown below

"press fit" stackable lip extensions



- a: 5204-1/2: 1/2" stackable lip extension
- b: 5204-1: 1" stackable lip extension
- c: 5204-1-1/4: 1-1/4" stackable lip extension
- d: 5204-3: 3" stackable lip extension



5200

Series faceplate options



501 Option

Operation: After release, the keeper returns to the locked position.



4-7/8" x 1-1/4"

501

For use with:

Cylindrical locksets in ANSI metal jambs.
ANSI/BHMA Numbers: #E09321, #E09322, #E09323

type of locks released



501A Option

Operation: After releasing the latchbolt, the keeper returns to the locked position.



4-7/8" x 1-1/4"
radius corners
& flat faceplate

501A

For use with:

Cylindrical locksets. Includes universal mounting tabs. Aluminum frames.
ANSI/BHMA Numbers: #E09321, #E09322, #E09323

type of locks released



501B Option

Operation: After releasing the latchbolt, the keeper returns to the locked position.



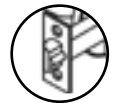
4-7/8" x 1-1/4"
radius corners
& radius faceplate

501B

For use with:

Cylindrical locksets. Includes universal mounting tabs. Aluminum doors and frames with radiused front.
ANSI/BHMA Numbers: #E09321, #E09322, #E09323

type of locks released



502 Option

Operation: After releasing the latchbolt, the keeper returns to the locked position.



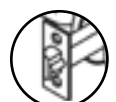
7-15/16" x 1-7/16"

502

For use with:

Cylindrical locksets. Includes universal mounting tabs. Aluminum frames.
ANSI/BHMA Numbers: #E09321, #E09322, #E09323

type of locks released





5200

Series faceplate options



503 Option

Operation: After releasing the latchbolt, the keeper returns to the locked position.



6-7/8" x 1-1/4"
radius corners
& flat faceplate

503

For use with:

Cylindrical locksets. Includes universal mounting tabs.
ANSI/BHMA Numbers: #E09321, #E09322, #E09323

type of locks released



503B Option

Operation: After releasing the latchbolt, the keeper returns to the locked position.



6-7/8" x 1-1/4"
radius corners
& radius faceplate

503B

For use with:

Cylindrical locksets. Faceplate is beveled. Includes universal mounting tabs.
ANSI/BHMA Numbers: #E09321, #E09322, #E09323

type of locks released



504 Option

Operation: After releasing the latchbolt, the keeper returns to the locked position.



10" x 1-3/8"
radius corners
& flat faceplate

504

For use with:

Cylindrical locksets. Four point mounting for wood installations.
ANSI/BHMA Numbers: #E09321, #E09322, #E09323

type of locks released

