

Product Components

- ① 5900 Electric Strike Body
- ② Sticky Shims (optional use)
- ③ Faceplate (sold separately)
- ④ #12-24 Mounting Screws (included with faceplate)
- ⑤ #8-32 Faceplate Screws (included with faceplate)

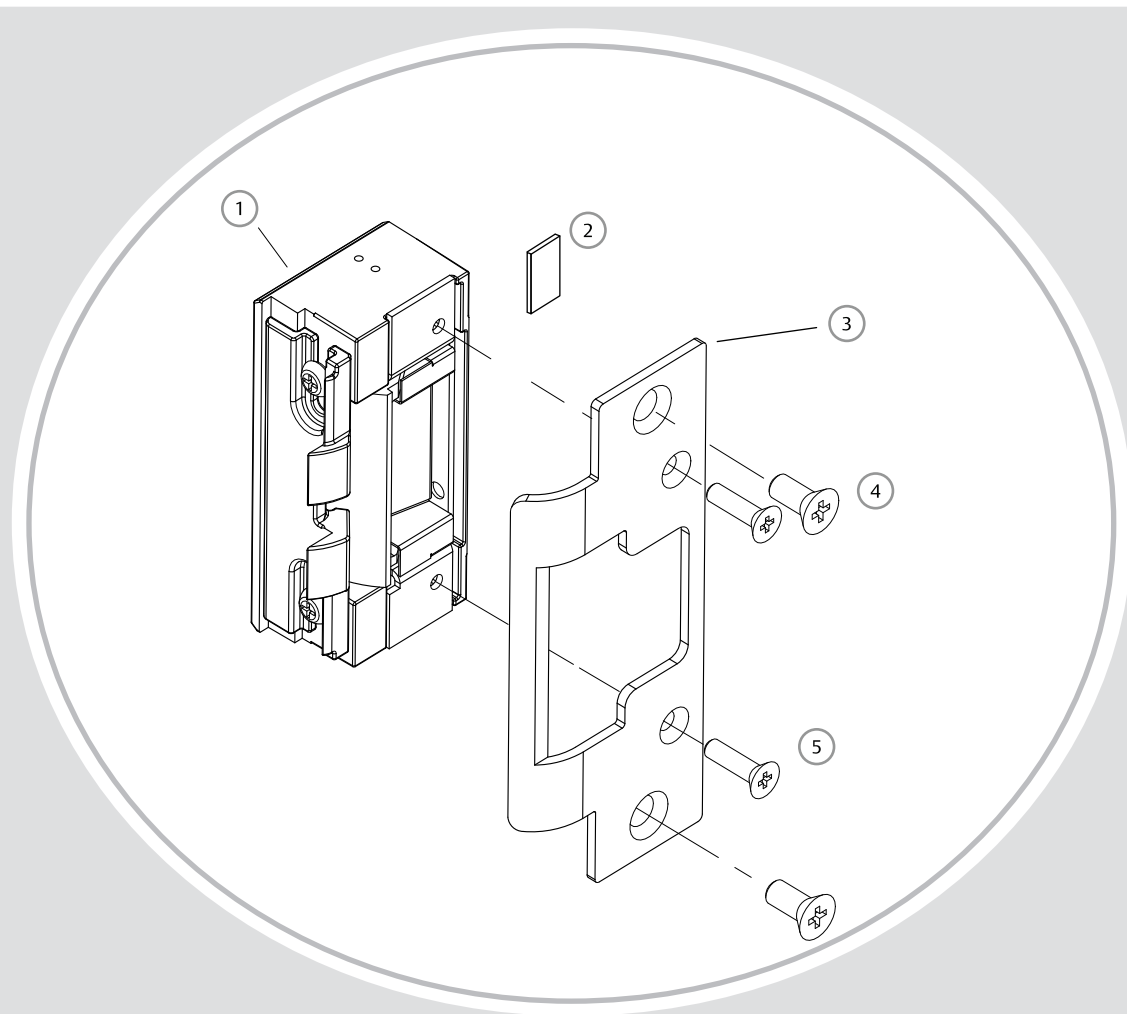


Diagram 1: Electrical Specifications

ELECTRICAL RATINGS FOR SOLENOID	CONTINUOUS DUTY		INTERMITTENT DUTY*	
	12VDC	24VDC	12VAC	24VAC
Resistance in Ohms	50	200	50	200
Amps	.24	.12	.24	.12

Solenoids are rated at +/- 10% indicated value.
*10% max duty cycle (2 min. max on time)

MINIMUM WIRE GAUGE REQUIREMENTS	SOLENOID VOLTAGE	
	12VDC	24VDC
200 feet or less	18 gauge	20 gauge
200 - 300 feet	16 gauge	18 gauge
300 - 400 feet	14 gauge	16 gauge

Installation Directions

CAUTION! Before connecting any device at the installation site, verify input voltage using a multimeter. Many power supplies and low voltage transformers operate at higher levels than listed. Any input voltage exceeding 10% of the solenoid rating may cause severe damage to the unit and will void the warranty.

Evaluate Opening

1. Verify opening is plumb and square. For important detail, see "Read Me" guide.

Prepare Strike

2. Check power source and make sure that the electric strike is configured to the appropriate voltage. This electric strike ships as 12V. If you need to convert the unit from 12V to 24V, see Diagram 2.

3. Make sure that the electric strike is in correct mode of operation. This electric strike ships in fail secure mode. If you need to convert the unit to fail safe, see Diagram 3.

4. If using Latchbolt Monitor (LBM), see Diagram 4.

5. Attach the faceplate to the electric strike, using the #8-32 screws provided. Be sure that the ramps are on top of the faceplate. (see Diagram 5).

Prepare Frame

6. Prepare door jamb per the appropriate template detail (see pages 4-6).

7. If applicable, install mounting tabs using #10-32 screws. Do not tighten.

Finish Installing

8. If opening is not plumb and square, see "Read Me" guide for recommended corrections.

9. Install the electric strike unit in jamb cutout, using #12-24 screws provided (or wood screws where necessary).

10. The deadlatch must not interfere with the 5900 ramps (see Diagram 6). If you need to adjust the ramps, mark the centerline of the deadlatch onto the 5900 faceplate. Remove the 5900 electric strike from jamb. Loosen screws and slide internal ramp until the groove between the ramps aligns with the mark made on the faceplate. Tighten the screws. (see Diagram 7).

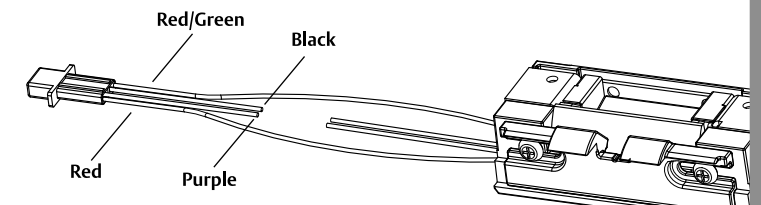
11. Connect wires from power source to the electric strike.

12. Reinstall electric strike, tighten the #12-24 screws and verify clearance of deadlatch.

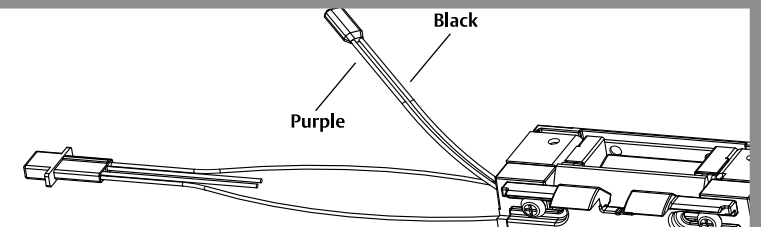
13. If applicable, tighten the #10-32 screws holding the mounting tabs.

DIAGRAM 2: 12V to 24V CONVERSION

a Cut the purple and black wires and strip the insulation off



b Insert purple and black wires from strike into one wire connector and crimp



c To prevent electric shorting, crimp one wire connector on the purple and one on the black ends coming from the plug-in connector

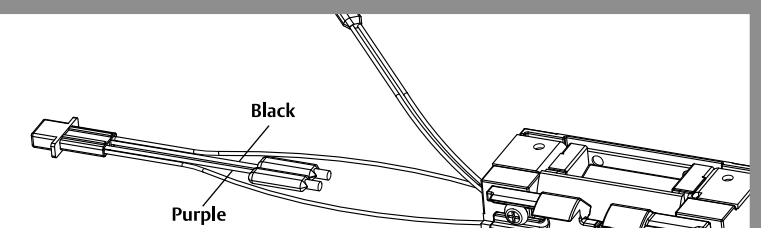


DIAGRAM 3: FAIL SAFE TO FAIL SECURE

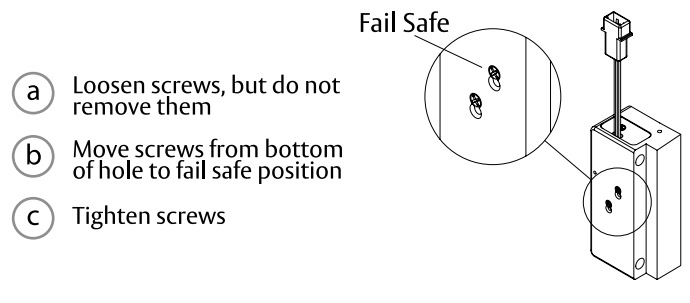


DIAGRAM 4: LATCHBOLT MONITOR

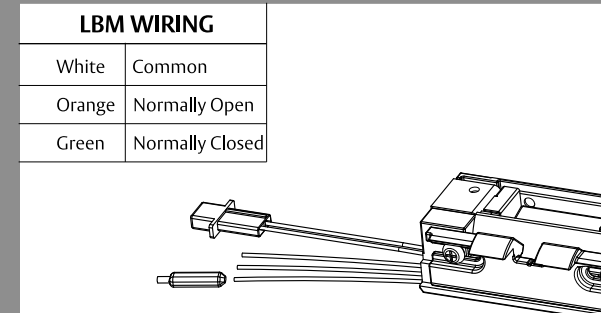


DIAGRAM 5: FACEPLATE INSTALLATION

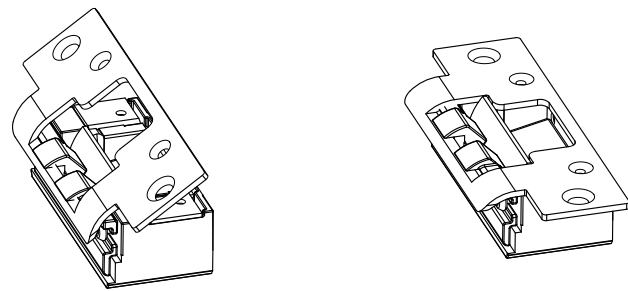


DIAGRAM 6: VERTICAL ALIGNMENT

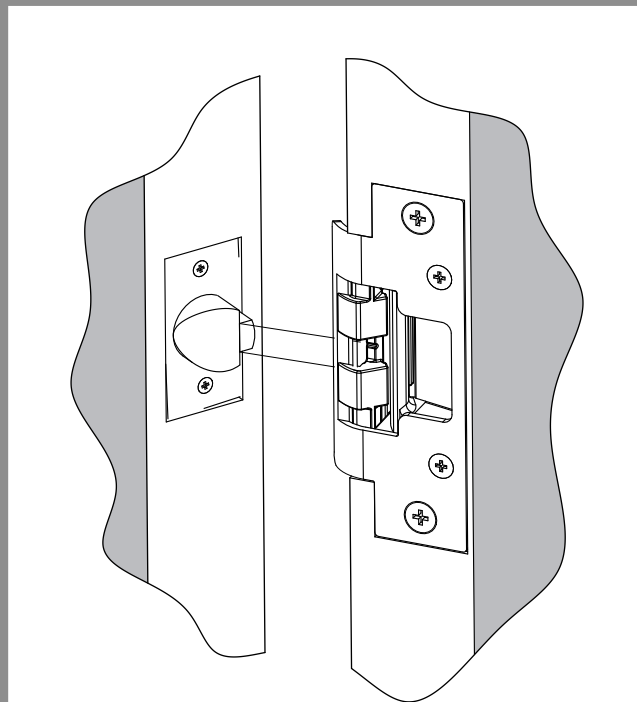
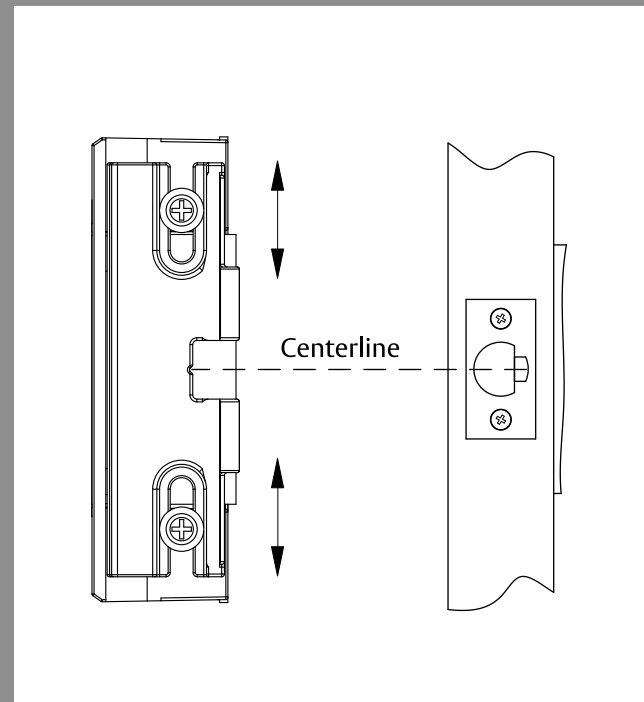


DIAGRAM 7: VERTICAL ADJUSTABILITY



Inches [mm]

5900 with 591 Faceplate

1-1/4" X 4-7/8" Square Corner Faceplate
ANSI Metal Jamb Installations

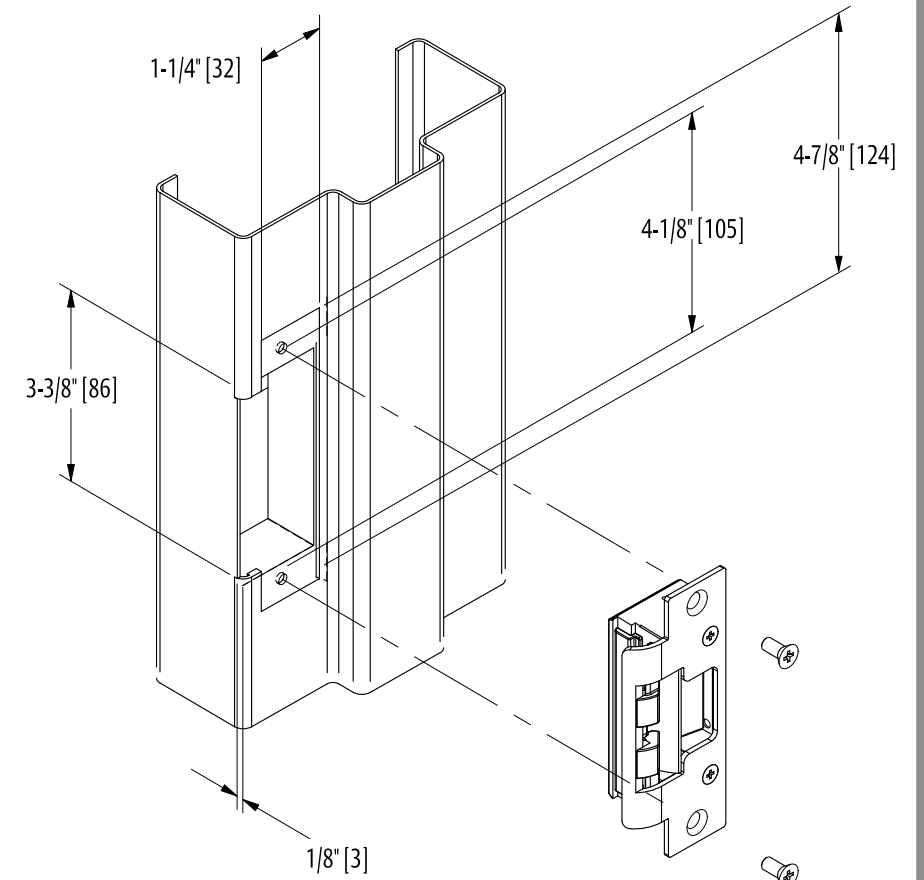
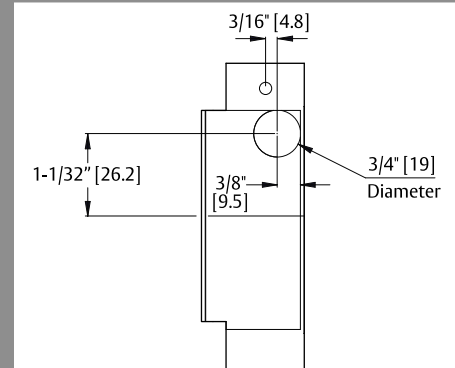


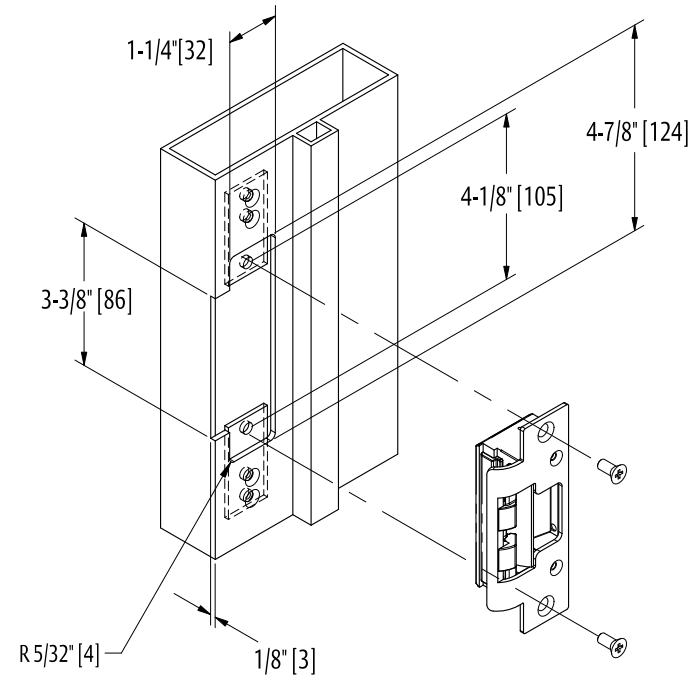
DIAGRAM 8: WIRE DRILLING



NOTE: The 5900 electric strike with 591 faceplate will fit right into most standard ANSI A115.2, 1" deep dustboxes (e.g. the Curries® E-1 preparation), requiring no cutting. If you elect to place the 5900 into the existing dustbox, simply drill for wire connections.

5900 with 591A Faceplate

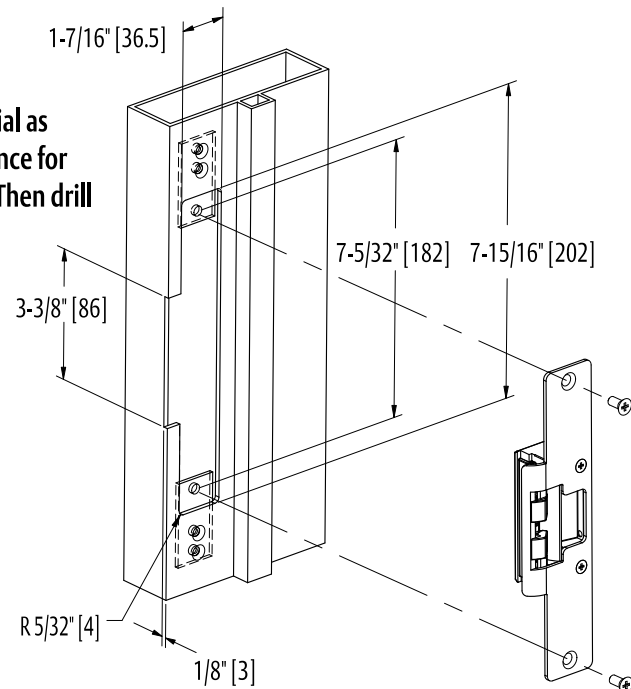
1-1/4" x 4-7/8" Radius Corner Faceplate
Aluminum Jamb Installations



5900 with 592 Faceplate

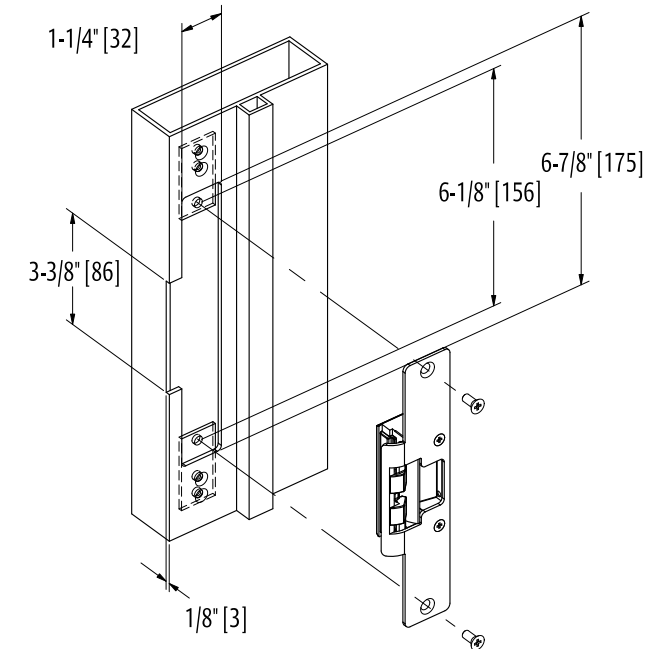
1-7/16" x 7-15/16" Radius Corner Faceplate
Aluminum and Wood Jamb Installations

Remove additional material as needed to provide clearance for electric strike and wires. Then drill for wires (see Diagram 8)



5900 with 593 Faceplate

1-1/4" x 6-7/8" Radius Corner Faceplate
Aluminum Jamb Installations



5900 with 595 Faceplate

1-3/8" x 9" Radius Corner Faceplate
Aluminum or Wood Jamb Installations

Remove additional material as needed to provide clearance for electric strike and wires. Then drill for wires (see Diagram 8)

