



model 7501 shown



fire rated



UL 1034
burglary listed



field selectable
(fail secure / fail safe)



grade 1



The Grade 1, fire-rated pre-load solution

The 7500 series electric strike is ideal for fire-rated applications with pre-load conditions which may be caused by a warped or misaligned door, weather stripping, a smoke seal or any other condition that could cause door bind. The solenoid is internally mounted for compactness, making the 7500 series electric strikes easy to install in hollow metal, concrete filled metal, wood and aluminum jambs.

Specifications

- UL 10C, 3 hour fire-rated (fail secure only)
- UL 1034, burglary-resistant listed
- ANSI/BHMA A156.31, Grade 1
- NFPA-252 fire door conformant
- ASTM-E152 fire door conformant
- MEA New York City accepted
- UBC-7-2-94, Uniform Building Code
- Patented design

Frame application

- Steel
- Aluminum
- Wood

Electrical

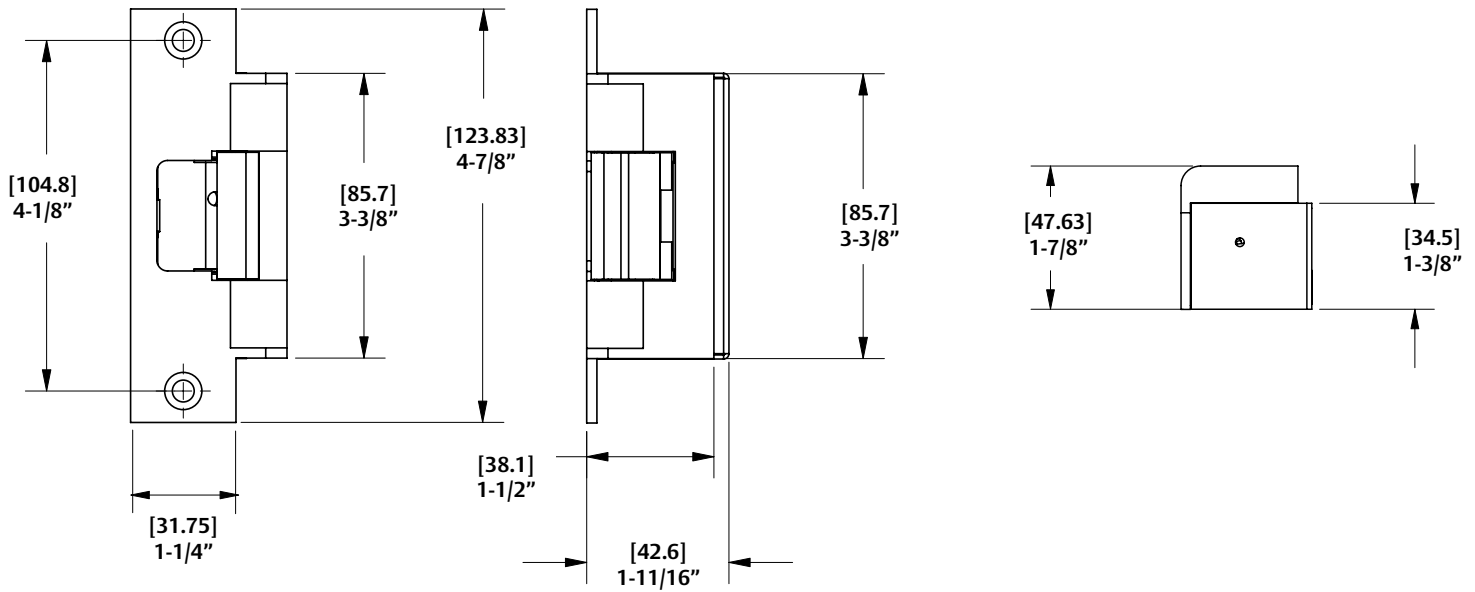
- .45 Amps @ 12VDC continuous duty
- .25 Amps @ 24VDC continuous duty

Standard Features

- Stainless steel construction
- Tamper resistant
- Static strength 1,500 lbs.
- Dynamic strength 70 ft-lbs.
- Endurance 500,000 cycles
- Field selectable fail safe/fail secure
- Accommodates pre-load (fail secure only)
- Non-handed
- Internally mounted solenoid
- Strike body depth 1-11/16"
- Plug-in connector
- Trim enhancer
- Five year limited warranty

NOTE: Order as a complete unit.





model 7501 shown

Optional Features

- LBM - Latchbolt monitor

Accessories

- 154 - MTK Metal template kit
- 2001 - Plug-in bridge rectifier
- 2004 - ElectroLynx[®] adapter
- 2005 - SMART Pac II[™]
- 2006P - Plug-in buzzer
- 2009P - Plug-in LED

Finishes

- 630 - Satin stainless steel finish
- 605 - Bright brass finish
- 606 - Satin brass finish
- 612 - Satin bronze finish
- 613 - Bronze toned finish
- 629 - Bright stainless steel finish



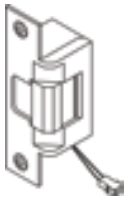
7500

Series electric strike models



7501 Model

Operation: After releasing the latchbolt, the keeper returns to the locked position.



4-7/8" x 1-1/4" x 1-1/2"

7501

For use with:

Cylindrical locksets with up to a 3/4" throw.

Compatible Locksets:

Accurate, Adams Rite, Arrow, Baldwin, Best, Corbin/Ruswin, Dexter, Dominion, Guard, Falcon, Harloc, Kwikset, Lockwood, Lori, LSDA, Marks, National, Omnia, PDQ, Parker, Ruswin, Sargent, Schlage, Taco, Unican, Weiser, Weslock, Yale

ANSI/BHMA Numbers: #E09321, #E09322, #E09323

type of lock released



7505 Model

Operation: After releasing the latchbolt, the keeper returns to the locked position.



9" x 1-3/8" x 1-1/2"

7505

For use with:

Cylindrical locksets with up to a 3/4" throw for wood frame applications.

Compatible Locksets:

Accurate, Adams Rite, Arrow, Baldwin, Best, Corbin/Ruswin, Dexter, Dominion, Guard, Falcon, Harloc, Kwikset, Lockwood, Lori, LSDA, Marks, National, Omnia, PDQ, Parker, Ruswin, Sargent, Schlage, Taco, Unican, Weiser, Weslock, Yale

ANSI/BHMA Numbers: #E09321, #E09322, #E09323

type of lock released

