

A

B

C

D

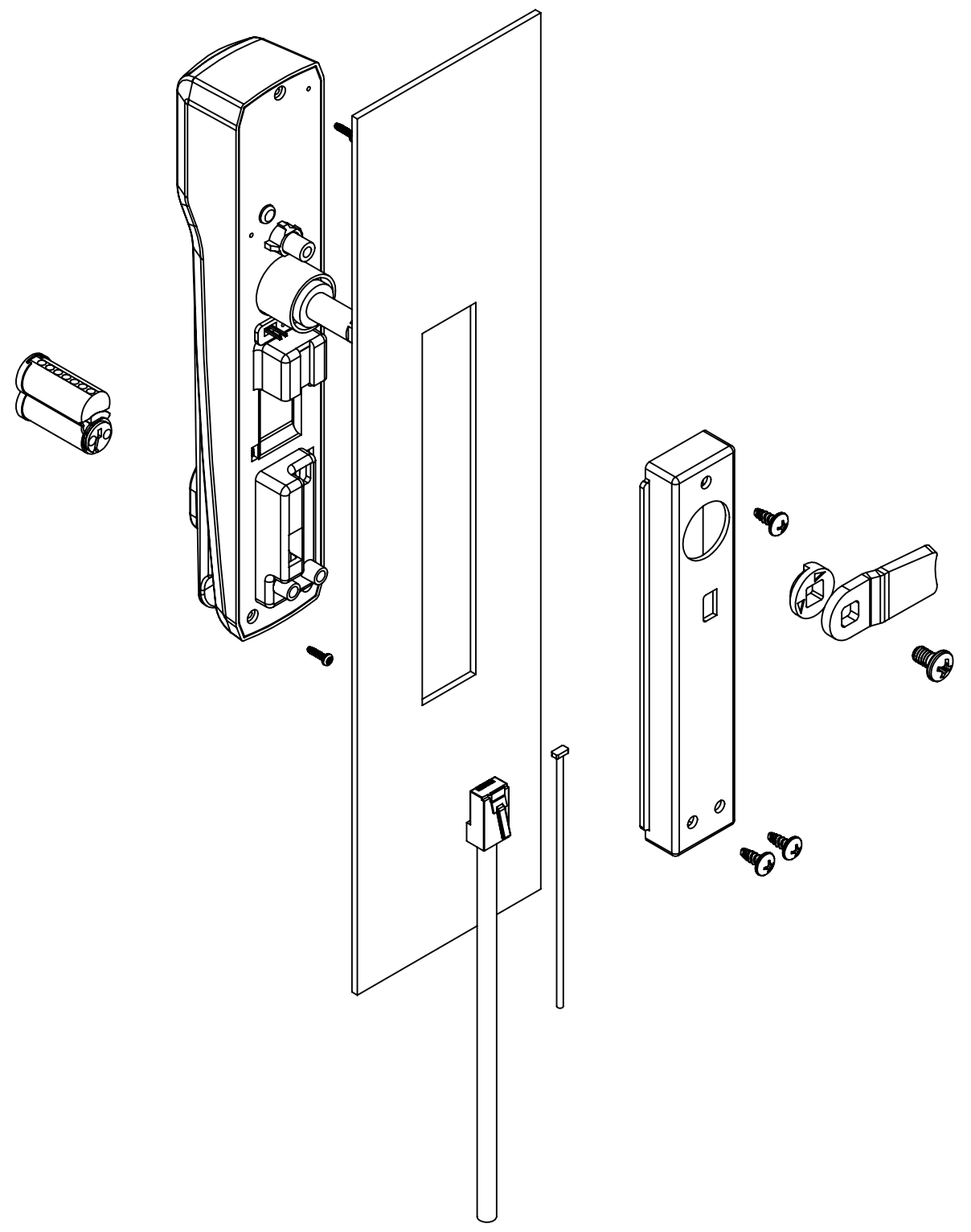
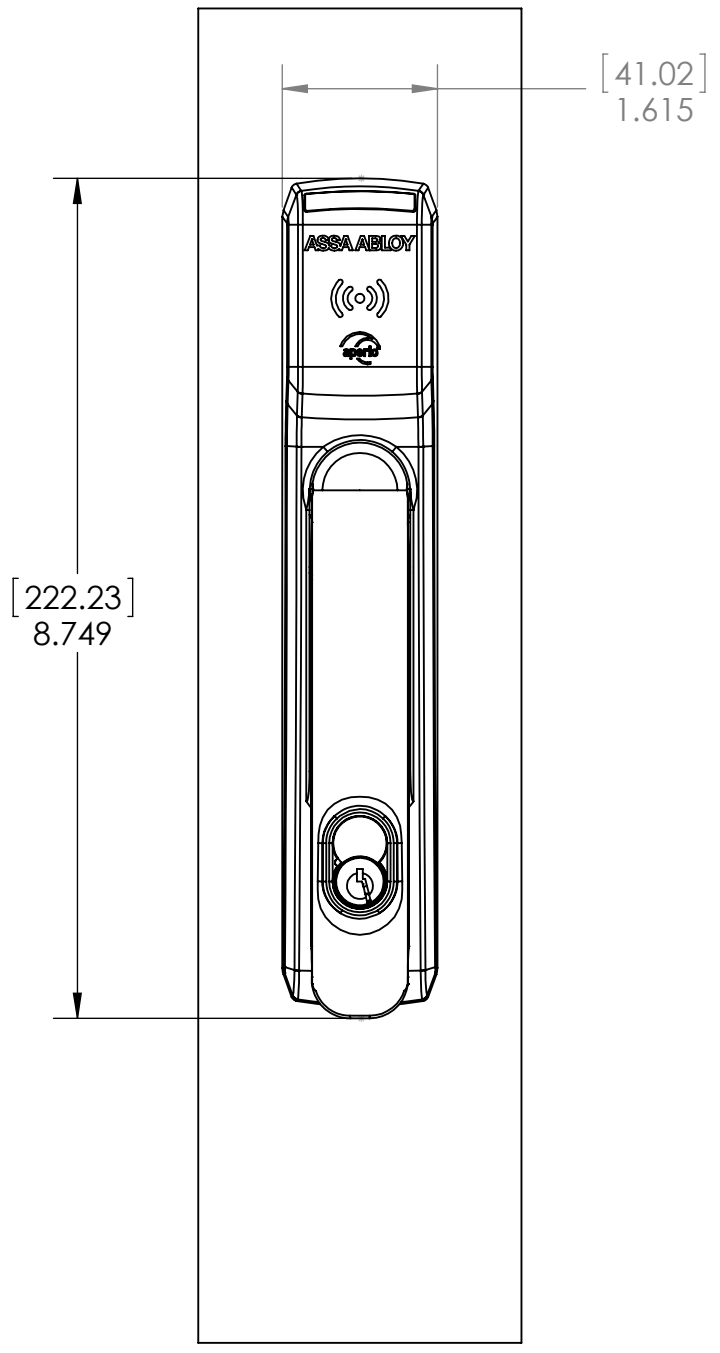
E

F

NOTES: (UNLESS OTHERWISE SPECIFIED)

1. Installation uses 25 mm x 150 mm cutout.

REVISIONS				
ZONE	REV.	DESCRIPTION	DATE	APPROVED



[mm]
in

THIS DOCUMENT IS THE CONFIDENTIAL PROPERTY OF HES, INC. AND IS LOANED SUBJECT TO RETURN UPON DEMAND. TITLE TO THIS DOCUMENT IS NEVER TO BE SOLD OR TRANSFERRED FOR ANY REASON. THIS DOCUMENT IS TO BE USED ONLY PURSUANT TO WRITTEN LICENSE OR WRITTEN INSTRUCTIONS OF HES, INC. ALL RIGHTS TO DESIGN AND INVENTIONS ARE RESERVED BY HES, INC. POSSESSION OF THE DOCUMENT IS ACCEPTED SUBJECT TO THE FOREGOING. © HES, INC. 2012

UNLESS OTHERWISE SPECIFIED
DIMENSIONS ARE IN INCHES
TOLERANCES ARE:
FRACTIONAL ±1/32
ANGLES ±1°
.XX ±.01
.XXX ±.005

DO NOT SCALE DRAWING
INTERPRET PER ASME Y14.5M-2009

TITLE	NAME	DATE
DRAWN BY	XXX	XX/XX/XX
R&D	XXX	XX/XX/XX
MFG ENGR	XXX	XX/XX/XX
QA	XXX	XX/XX/XX



STATUS:

hes **HANCHETT ENTRY SYSTEMS, INC.**
 10027 S. 51st Street, Suite 102 - Phoenix AZ 85044
 P (623)582-4626 - F (623)582-4641
 ASSA ABLOY
 ASSA ABLOY, the global leader in door opening solutions

SIZE	DWG. NO.	REV.
B	z-KS100 - P04	X01

SCALE: 1:8	PRINT DATE: 4/4/2013	LAST SAVED BY: srivera	SHEET 1 OF 1
------------	----------------------	------------------------	--------------

A

B

C

D

E

F

FAMILY NAME: