

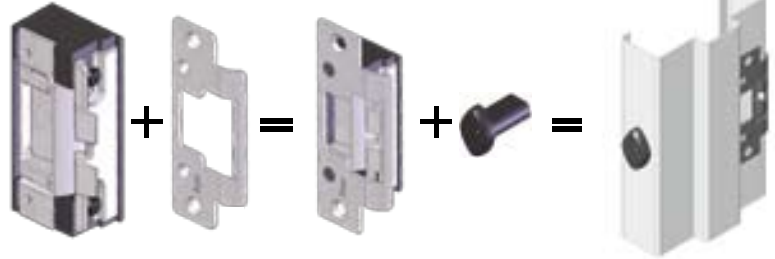


# RF5910-EA

Hybrid electric strike



shown with 591 option



We offer several types of faceplate options to accommodate your application. Faceplate options sold separately.



field selectable  
(fail secure / fail safe)



grade 1



## Sophisticated control with superior aesthetics

Introducing the first-ever concealed electric strike with an integrated proximity card reader. Combining the access control of an HID® Prox reader with the physical security of a Grade 1 electric strike, the RF5910 series encompasses everything in the frame for faster installation and superior aesthetics. Designed to work with any Weigand-compatible controller, the RF5910 offers vertical adjustability, as well as an external antenna, for flexible location in either inswing or outswing applications, and accommodates 5/8" latchbolts.

### Specifications

- ANSI/BHMA A156.31, Grade 1
- FCC Part 15 (USA and Canada)
- Patented and patent pending

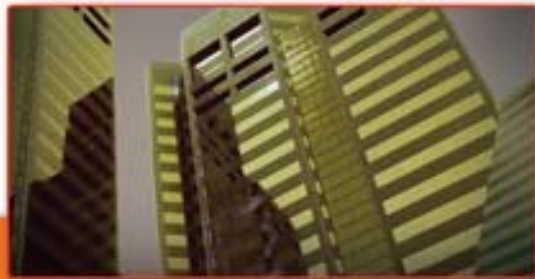
### Frame application

- Steel
- Aluminum
- Wood

### Electrical

- Reader Module
- 12 VDC (+/- 20%)
  - 124 mA Max. @ 12 VDC
- Electric Strike
- 12 VDC (+/- 10%)
  - 240 mA Max. @ 12 VDC





# RF5910-EA

Hybrid electric strike

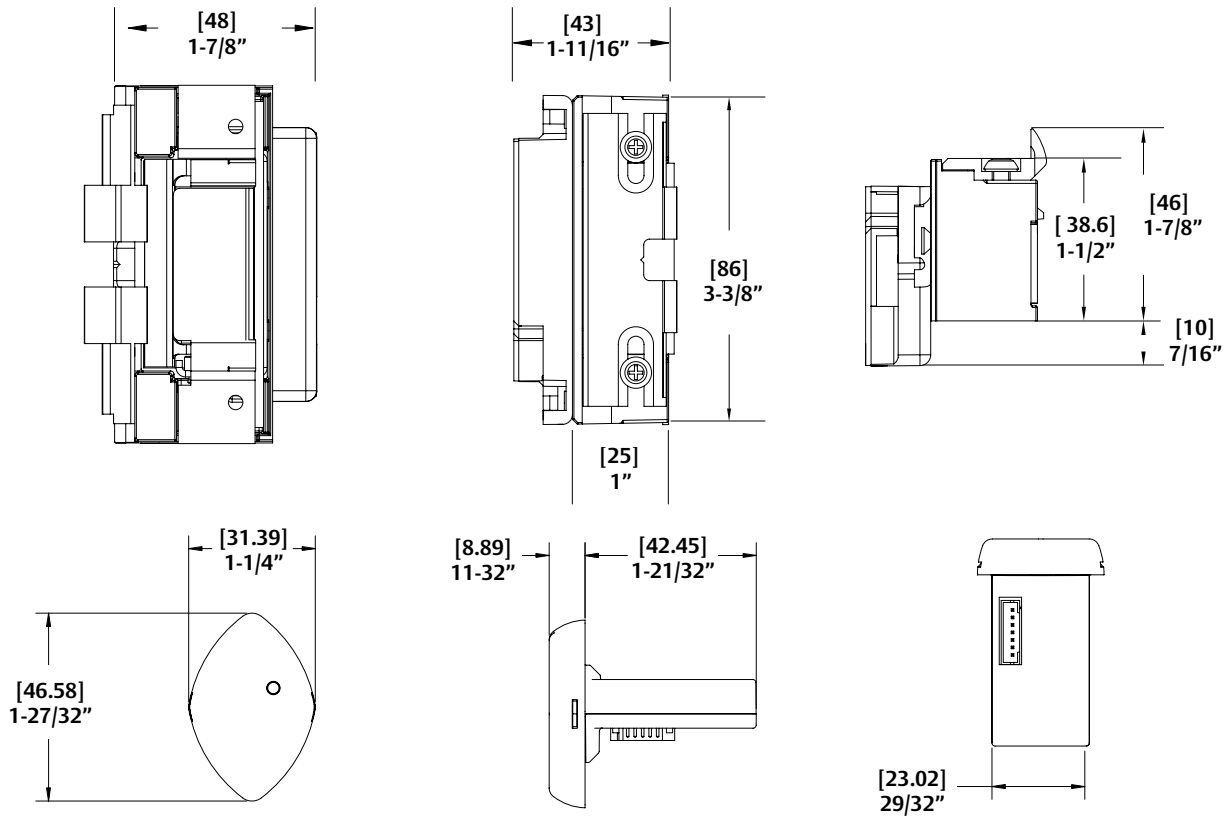


diagram shown with 501 option

## Cable

- 500 ft. max. distance to host
- 18-22 AWG recommended (stranded and shielded)

## Standard Features

- No cutting on the face of the frame
- Integrated proximity card reader
- External antenna provides flexibility for location on the face of the frame
- Interfaces with any Weigand-compatible access control system
- Recognizes HID 26-39 bit formats
- Supports HID 125kHz credentials
- Non-handed
- Accommodates 1/2"-5/8" latchbolt (5/8" with 1/8" door gap)
- Includes door position switch, latchbolt monitor, LED and buzzer
- Appropriate for -32°F to 150°F (-35°C to 65°C) and 5-95% humidity (non-condensing)
- Lifetime limited warranty

## Finishes

- 630 - Satin stainless steel finish
- 605 - Bright brass finish
- 606 - Satin brass finish
- 612 - Satin bronze finish
- 613 - Bronze toned finish
- 629 - Bright stainless steel finish
- BLK - Black finish



# RF5910-EA

Hybrid faceplate options



## 591 Option

Operation: After release, the keeper returns to the locked position.



4-7/8" x 1-1/4"

### 591 For use with:

Cylindrical locksets in ANSI metal jambs. For use with latchbolts up to 5/8" throw.  
ANSI/BHMA Numbers: #E05031, #E09321, #E09322, #E09323

type of lock released



## 591A Option

Operation: After release, the keeper returns to the locked position.



4-7/8" x 1-1/4"  
radius corners  
& flat faceplate

### 591A For use with:

Cylindrical locksets. For use with latchbolts up to 5/8" throw. Includes universal mounting tabs. Aluminum frames.  
ANSI/BHMA Numbers: #E05031, #E09321, #E09322, #E09323

type of lock released



## 592 Option

Operation: After release, the keeper returns to the locked position.



7-15/16" x 1-7/16"

### 592 For use with:

Cylindrical locksets. For use with latchbolts up to 5/8" throw. Includes universal mounting tabs. Aluminum frames.  
ANSI/BHMA Numbers: #E05031, #E09321, #E09322, #E09323

type of lock released





# RF5910-EA

Hybrid faceplate options



## 593 Option

Operation: After release, the keeper returns to the locked position.



6-7/8" x 1-1/4"  
radius corners  
& flat faceplate

### 593 For use with:

Cylindrical locksets. For use with latchbolts up to 5/8" throw. Includes universal mounting tabs. Aluminum applications.  
ANSI/BHMA Numbers: #E05031, #E09321, #E09322, #E09323

type of lock released



## 595 Option

Operation: After release, the keeper returns to the locked position.



9" x 1-3/8"  
radius corners  
& flat faceplate

### 595 For use with:

Cylindrical locksets. For use with latchbolts up to 5/8" throw. Four point mounting for wood installations.  
ANSI/BHMA Numbers: #E05031, #E09321, #E09322, #E09323

type of lock released

