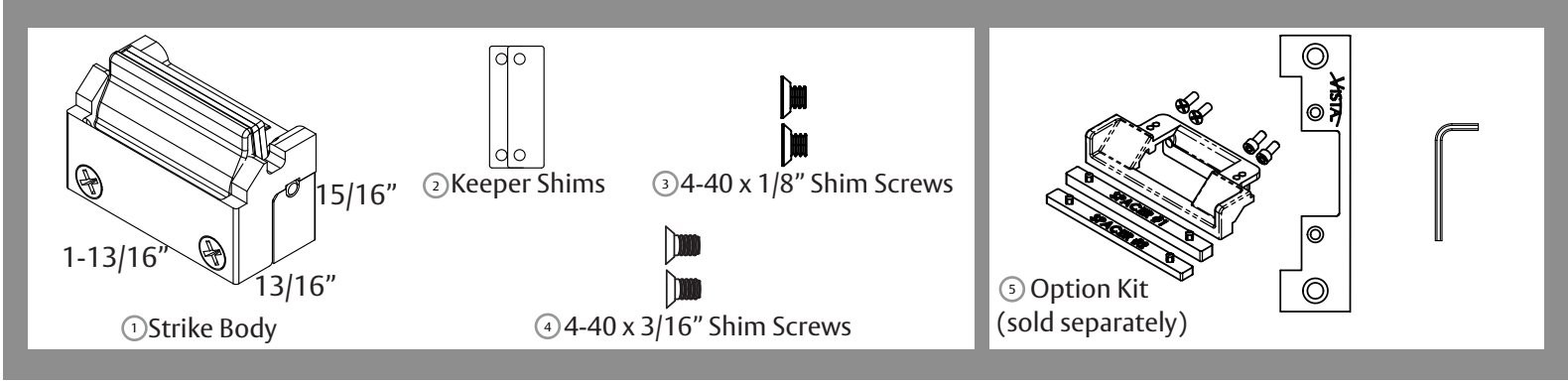


Product Components



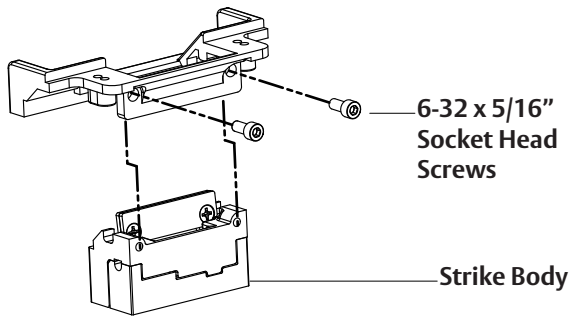
Strike Installation

1. If this is a new installation, consult pages 2-3 for the proper template for your option.

2. If you are replacing another manufacturer's electric strike, first determine the manufacturer and model number to be replaced. Using the chart on page 4, choose the appropriate Option Kit and spacer to be used with the new install and proceed to step 3.

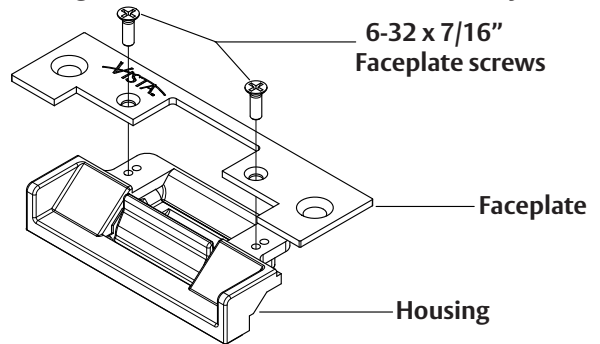
Faceplate and Housing Assembly

3. Attach Electric Strike body to Housing as illustrated below using the 6-32 x 5/16" socket head screws and hex key packaged with the Option Kit.



4. If using Options 1-4, attach Faceplate to Housing as illustrated below using the 6-32 x 7/16" flat-head screws provided with the Option Kit.

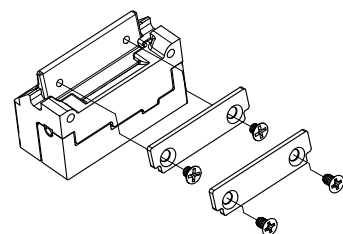
Note: A second set of mounting holes is provided in the Housing for additional Forward Horizontal Adjustment.



Complete Installation

5. Install Electric Strike assembly into frame to test latchbolt interaction.

6. If additional horizontal adjustment is needed, 1 or 2 keeper shims can be added as illustrated below. If adding a single shim use the 4-40 x 1/8" screws, or if adding both shims, the longer 4-40 x 3/16" screws should be used.



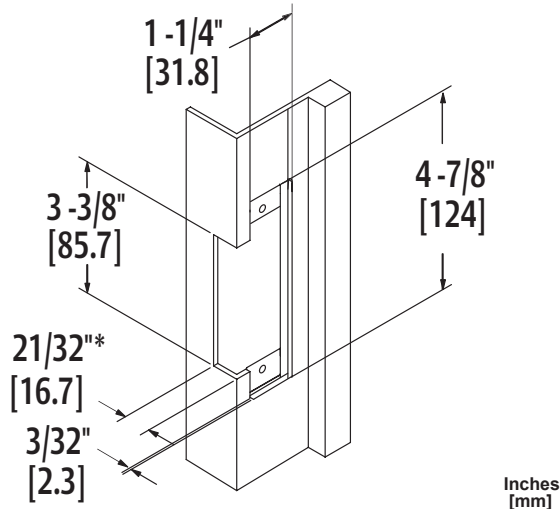
7. Remove Electric Strike from frame and connect power.

8. Re-install the electric strike into jamb cutout using the 12-24 flat-head screws provided in the Option Kit to complete installation.

OPTION 1

4-7/8" x 1-1/4" Square Corner Faceplate
ANSI Metal Jamb Installations

NEW INSTALLATION



Inches
[mm]

RETROFIT: COMPATIBLE CUTOUTS

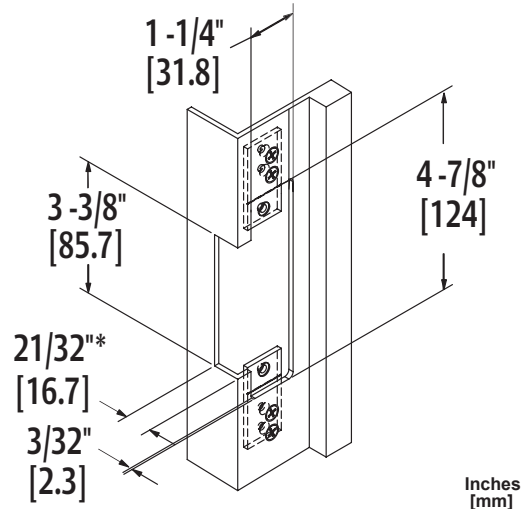
RCI 4114	ROFU 1702	Trine 012
RCI 7114	ROFU 1802	Trine 2007
		Trine 2012

*Dimension shown without spacer

OPTION 1A

4-7/8" x 1-1/4" Radius Corner Faceplate
Metal Frame Installations With Mounting Tabs

NEW INSTALLATION



Inches
[mm]

RETROFIT: COMPATIBLE CUTOUTS

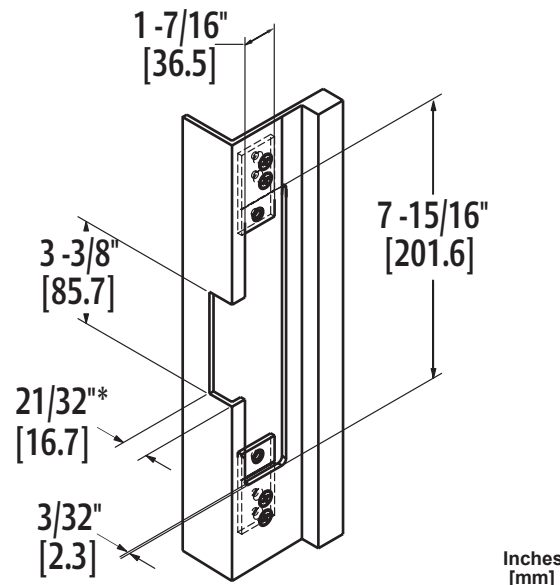
RCI 4104
RCI 7104

*Dimension shown without spacer

OPTION 2

7-15/16" x 1-7/16" Radius Corner Faceplate
Metal Frame Installations With Mounting Tabs

NEW INSTALLATION



Inches
[mm]

RETROFIT: COMPATIBLE CUTOUTS

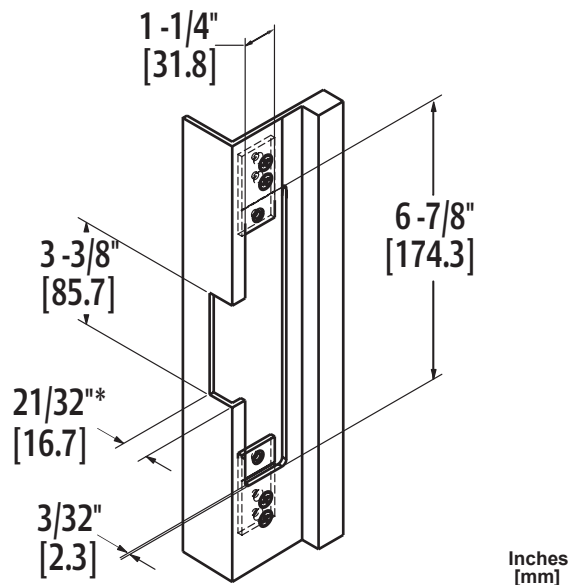
RCI 7108	ROFU 1704	Trine 2002WR
RCI 4108	ROFU 1804	

*Dimension shown without spacer

OPTION 3

6-7/8" x 1-1/4" Radius Corner Faceplate
Metal Frame Installations With Mounting Tabs

NEW INSTALLATION



Inches
[mm]

RETROFIT: COMPATIBLE CUTOUTS

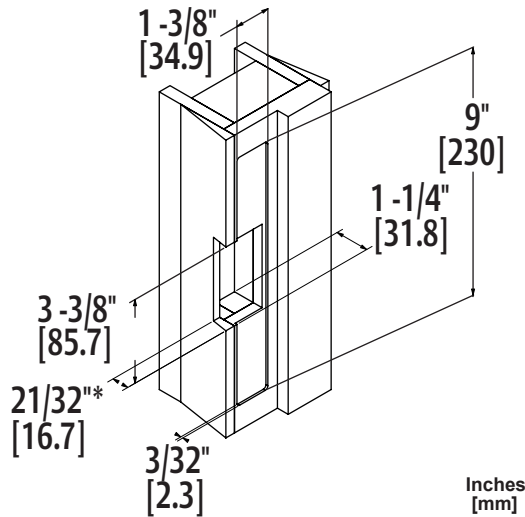
RCI 4107	ROFU 1703	Trine 2678
RCI 7107	ROFU 1803	

*Dimension shown without spacer

OPTION 4

9" x 1-3/8" Radius Corner & Flat Faceplate
Wood Frame Installations

NEW INSTALLATION



Inches
[mm]

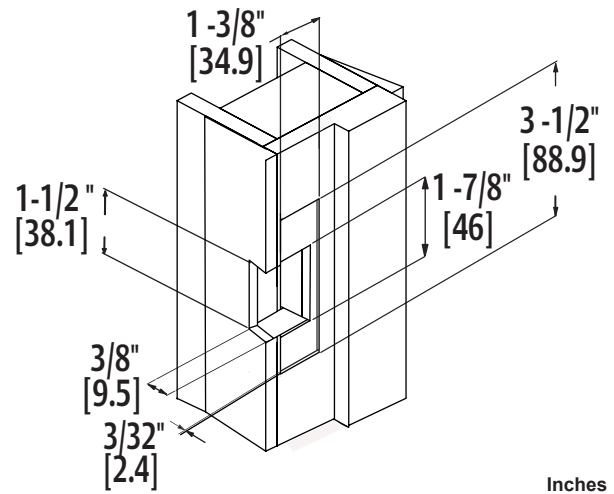
RETROFIT: COMPATIBLE CUTOUTS
ANSI 9" X 1-3/8" CUTOUTS

*Dimension shown without spacer

OPTION 5

3-1/2" x 1-3/8" Square Corner & Flat Faceplate
Wood Frame Installations

NEW INSTALLATION



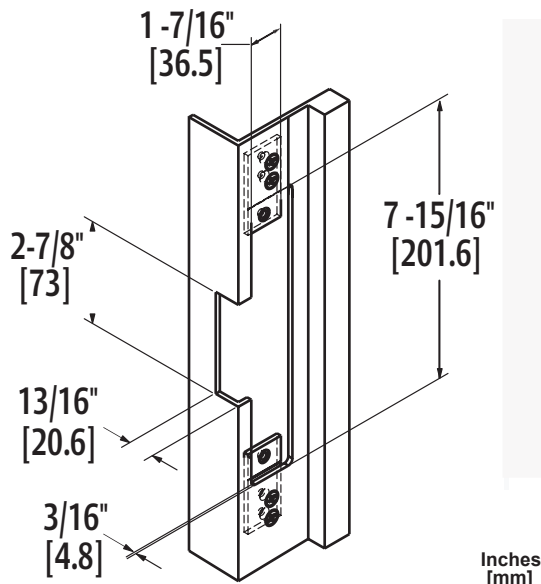
Inches
[mm]

RETROFIT: COMPATIBLE CUTOUTS
Trine 005

OPTION 6

7-15/16" x 1-7/16" Radius Corner Faceplate
Metal frame with mounting tabs or Wood Installations

NEW INSTALLATION



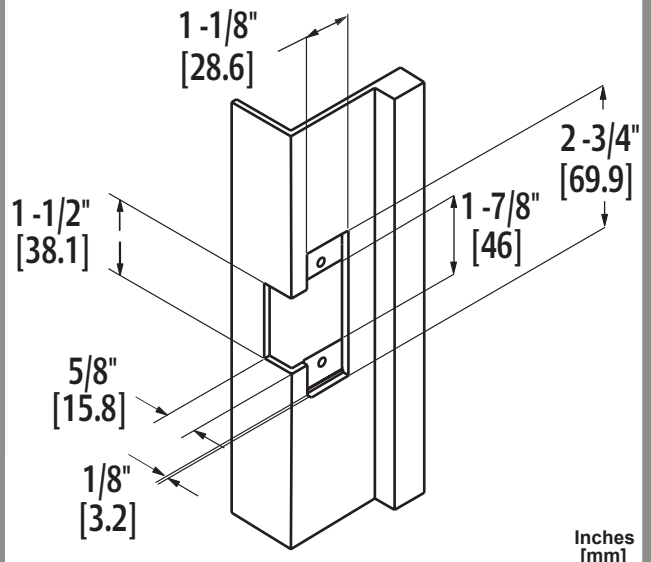
Inches
[mm]

RETROFIT: COMPATIBLE CUTOUTS
ROFU 1509

OPTION 7

2-3/4" x 1-1/8" Square Corner Faceplate
ANSI A156.115 2-3/4" Metal Jamb Installation

NEW INSTALLATION



Inches
[mm]

RETROFIT: COMPATIBLE CUTOUTS
ANSI A156.115 2-3/4" CUTOUTS

Compatibility Chart & Specifications

OPTION KIT SELECTION

1. Using the chart below determine which Vista 3 Option Kit is required for your application.

Note: Depending on the product being retrofitted, you are choosing both a faceplate, and spacer option.

For example, when replacing a Trine 2002WR series strike, an Option Kit 2 should be used, as well as spacer #2. No spacer is needed if "None" is listed under spacer.

Trine	Model	Vista Option Kit	Spacer
	2002WR	2	Spacer #2

Model Vista Option Kit Spacer Used

RCI

4104	1A	Yes: Spacer #1
4114	1	Yes: Spacer #1
4107	3	Yes: Spacer #1
4108	2	Yes: Spacer #1
7104	1A	Yes: Spacer #1
7114	1	Yes: Spacer #1
7107	3	Yes: Spacer #1
7108	2	Yes: Spacer #1

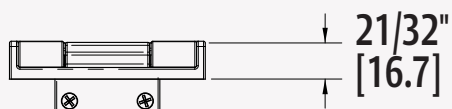
Model Vista Option Kit Spacer Used

ROFU

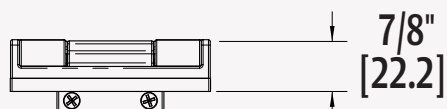
1509	6	None
1702	1	None
1703	3	None
1704	2	None
1802	1	None
1803	3	None
1804	2	None

TRINE

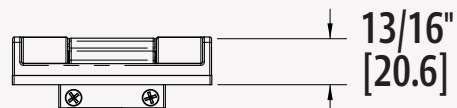
005	5	None
012	1	Yes: Spacer #2
2002WR	2	Yes: Spacer #2
2007	1	None
2012	1	Yes: Spacer #2
2678	3	Yes: Spacer #2



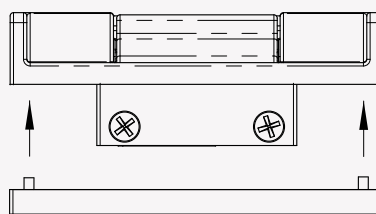
Housing With No Spacer



Housing With Spacer #1



Housing With Spacer #2



inches
[mm]

ELECTRICAL SPECIFICATIONS

CAUTION! This strike is provided as either a 12 or 24 volt unit. Before connecting any device at the installation site, verify input voltage using a multimeter. Many power supplies and low voltage transformers operate at higher levels than listed. Any input voltage exceeding 10% of the solenoid rating may cause severe damage to the unit and will void the warranty.

ELECTRICAL RATINGS FOR SOLENOID	CONTINUOUS DUTY		INTERMITTENT DUTY*	
	12VDC	24VDC	12-16VAC	24VAC
Resistance in Ohms	60	240	60	240
Amps	.20	.10	.20	.10
Solenoids are rated at +/- 10% indicated value. *10% max duty cycle (2 min. max on time).				

MINIMUM WIRE GAUGE REQUIREMENTS	SOLENOID VOLTAGE	
	12VDC	24VDC
200 feet or less	18 gauge	18 gauge
200 - 300 feet	18 gauge	16 gauge
300 - 400 feet	16 gauge	14 gauge