

E-Plex[®] 3000/3200/3700 Series Narrow Stile Specifications

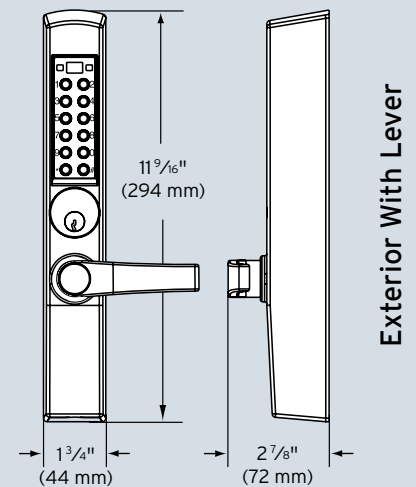


Features

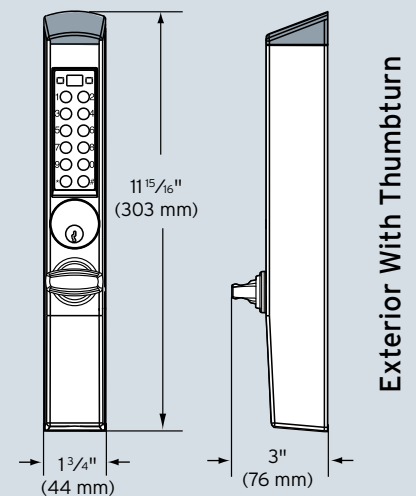
Access Control:	Electronic PIN/PROX lock for narrow stile aluminum glass doors—eliminates problems and costs associated with issuing, controlling and collecting keys. Provides exterior access control for multiple users using specific PINs (Personal Identification Numbers) and/or PROX Cards.
Locking Devices:	Retrofits inside trim for Adams Rite [®] locks 1850, 1950, 4070, 4510, 4520, 4530, 4710, 4720, 4730, 4900, 4920AN, MS 1850S, MS 1950S, and 8400 Series (Not Included)
Number of Users:	E-Plex 3000 —300 Access Users E-Plex 3200 and E-Plex 3700 —3,000 Access Users; (300 using LearnLok™ feature)
Audit Trail:	E-Plex 3000 —The most recent 9,000 lock events are recorded in memory including use of the mechanical key override (accessible with optional software) E-Plex 3200 and E-Plex 3700 —30,000 Events with optional software
Programming:	E-Plex 3000 —Locks are programmed via keypad or with optional Microsoft [®] Excel based software—Simplifies management of doors and users as facility's number of users and access points grow E-Plex 3200 —Locks are programmed via required E-Plex Advanced Software (not included)—provides easy management of doors and users E-Plex 3700 —Locks are programmed via keypad with LearnLok™ feature or via optional E-Plex Advanced Software provides easy management of doors and users
Operation Modes:	<ul style="list-style-type: none"> • Access (via Credential) • Lockout • Passage—can be toggled on/off or preprogrammed to re-lock manually or via software • Scheduled Access (5286 and 5786) • Latch Holdback—Credential or key enabled, lever activated
Authority Levels:	E-Plex 3000 —Five different levels allow you to control who has access to specific lock functions, including: Service Level—programmed for one-time access or "come-and-go" access for 1 to 24 hours E-Plex 3200 and E-Plex 3700 —Six different levels allow you to control who has access to specific lock functions, including: Service Level—codes from single event up to 4-day access, programmable in advance

Dimensions

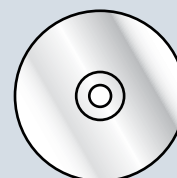
E3000/3200 Series



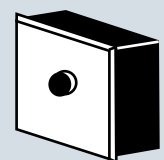
E3700 Series (PROX)



Optional Features



PC software



Remote Unlock

E-PLEX[®]

Features (Continued)

Scheduling:	E-Plex 3200 and E-Plex 3700 Access Schedules—Up to 16 different access schedules may be programmed into reader Holiday/Vacation—Up to 32 different holiday/vacation blocks may be programmed into reader
User Parameters:	Code length—Adjustable to accept 4 to 8 digits Anti-tamper lockout—Adjustable from 3 to 9 invalid attempts with an adjustable period of 0 to 90 seconds Relock time—Adjustable from 2 to 20 seconds
Battery Operation:	Batteries located in tamper proof base of outside housing. Four AA Alkaline batteries provide up to 180,000 cycles (performance varies based on settings). Lock data is maintained if batteries fail. Warning lights notify low battery status
Ease of Installation:	No wire installation—eliminates wiring to or through the door—no risk of pinched wires

Mechanical Features

Construction:	Extra heavy-duty lockset, solid cast housing, and solid cast lever or thumbturn wear tested for extensive use in indoor and outdoor applications
Numeric Keypad:	Vandal resistant, solid metal pushbuttons
Handing:	Non-handed, easily changed in the field
Backset:	$3\frac{1}{32}$ " (25 mm) minimum
Locking Devices:	Retrofits inside trim for Adams Rite® locks 1850, 1950, 4070, 4510, 4520, 4530, 4710, 4720, 4730, 4900, 4920AN, MS 1850S, MS 1950S Series, and 8400 (Not Included)
Maximum Stile Thickness:	$1\frac{3}{4}$ " (44 mm)
Weight:	5.1 lbs. (2.3 kg)

Key Override

Mortise Cylinder:	Field replaceable Mortise Cylinder in Schlage "C" or Kaba 90 Keyway
Interchangeable Cores:	Optional Mortise Shell accommodates small format—Best and equivalents (6-pin length only)

Installation

Ease of Installation:	No wire installation—eliminates wiring to or through the door—no risk of pinched wires
Door Preparation:	Easily installs on narrow stile doors with 4 mounting screws
Door Thickness:	$1\frac{3}{4}$ " (44 mm)
Items Supplied Include:	Lock assembly, installation manual, quick reference guide, operations manual, installation template, cylinder with 2 keys, mounting hardware and batteries

Certification and Testing

Accessibility Standard:	Americans with Disabilities Act (ADA)
Durability:	Designed and fully tested to meet rigid life cycle test and operating reliability per BHMA Grade 1 requirements.
Environmental:	Indoor/Outdoor Approved Front Housing: -31° F (-35° C) to + 151° F (66° C)

Warranty

Warranty:	Three-year warranty from date of installation; built-in warranty counter in lock memory. Warranty is void if product is not installed with approved locking devices noted above.
------------------	--

Finishes

Standard Finish:	Satin Chrome 26D (626) housing and lever
Optional Finish:	Dark Bronze (744—Simulates 10B/613) housing with Brass push buttons and cylinder



Satin Chrome



Dark Bronze

Disclaimer: While reasonable efforts were made to ensure the accuracy of this document at the time of printing, Kaba assumes no liability for any errors or omissions. This information is subject to be revised without notice, and changes may be incorporated in future releases.

KAA1117 0209