

E-Plex[®] 5000 Specifications

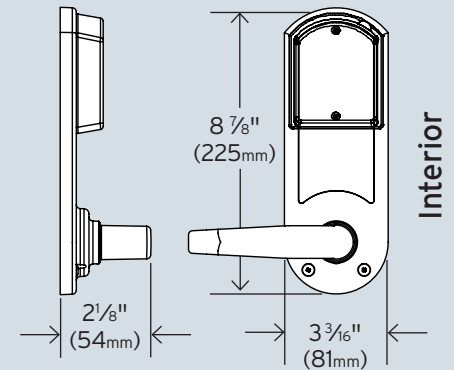
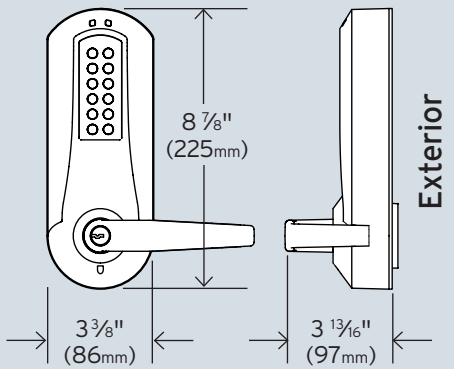


Features

Access Control:	Electronic pushbutton lock—eliminates problems and costs associated with issuing, controlling and collecting keys, and cards
Number of Codes:	100 access codes per door (upgrade to 300 via software); over 100 million possible code combinations
Audit Trail:	The most recent 3,000 (9,000 via software upgrade) lock events are recorded in memory including use of the mechanical key override
Programming:	Locks are programmed via keypad or with <i>optional</i> Microsoft Excel™ based software—simplifies management of doors and users as facility's number of users and access points grow
Handing:	Non-handed, preassembled for left hand door installations—easily changed in the field
Key Override:	Key-in-lever cylinders, small format interchangeable cores, large format removable cores
Lock Function Customization:	Locks are easily customized on site via keypad to work as various BHMA lock functions eliminating the requirement to stock multiple locks to meet different applications. Built-in options include: entry, storeroom, privacy, and residence lock, (thumbturn required for privacy and residence functions)
Three Operation Modes:	<ul style="list-style-type: none"> • PIN access • Lockout • Passage—can be toggled on/off or can be preprogrammed to relock after a certain number of hours (from 1 to 24)

E-Plex 5000 Cylindrical

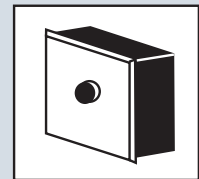
Dimensions



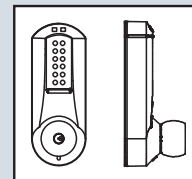
Optional Features



• PC Software



• Remote Unlock



• Knob

Features (Continued)

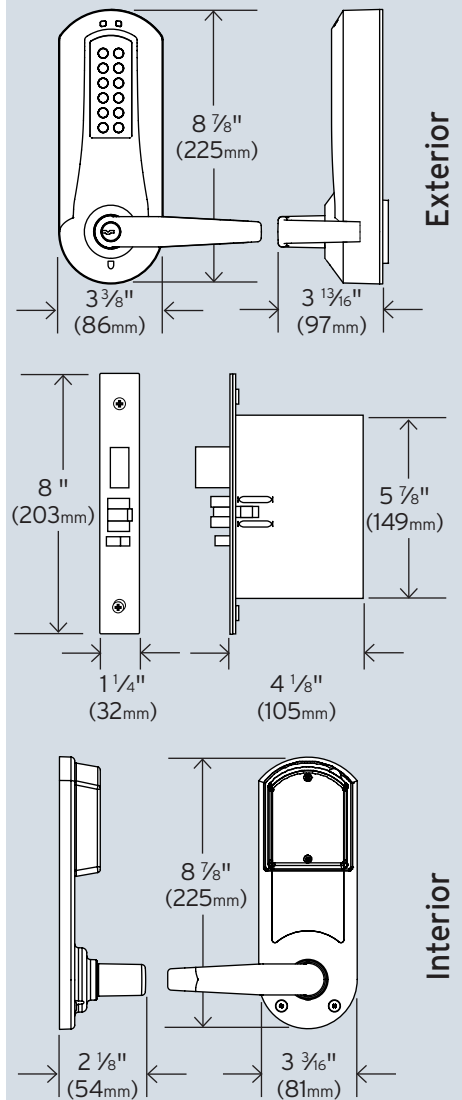
Authority Levels:	Five different levels allow you to control who has access to specific lock functions, includes: Master Level —performs all set-up and programming functions Manager Level —administers common programming functions Access User Level —entry granted with valid PIN Service Level —codes for single event or single day access, programmable in advance Maintenance Level —no access is granted, but information can be uploaded/downloaded to/from the lock
User Parameters:	Code length —Adjustable to accept 4 to 8 digits Anti-tamper lockout —Adjustable from 3 to 9 invalid attempts with an adjustable period of 0 to 90 seconds Relock time —Adjustable from 2 to 20 seconds
Battery Operation:	Batteries located in interior housing cover; offers quick and easy battery replacements (Four AA Alkaline batteries provide up to 180,000 cycles); lock data is maintained if batteries fail
Ease of Installation:	LectroBolt™ (patent pending) eliminates wiring to or through the door—no risk of pinched wires

Mechanical Features

Construction:	Extra heavy-duty cylindrical lockset, solid cast housings, solid cast levers, cylindrical drive wear tested for extensive use in indoor and outdoor applications
Numeric Keypad:	Vandal resistant, solid metal pushbuttons
Door Handing:	E-Plex 5000 Cylindrical and E-Plex Mortise —Non-handed, preassembled for left-hand door installations—easily changed in the field E-Plex 5000 Exit Trim —Non-handed
Backsets:	E-Plex 5000 Cylindrical —2 ¾" (70 mm), 2 ⅜" (60 mm) E-Plex 5000 Mortise —2 ¾" (70 mm) E-Plex 5000 Exit Trim —Varies by exit device type
Latch:	E-Plex 5000 Cylindrical —½" (13 mm) latch, ¾" (19 mm) latch (optional) with 3 hour UL/ULC fire rating E-Plex 5000 Mortise —¾" (19 mm) latch, 1" (25 mm) deadbolt (optional)
Minimum Stile Recommended:	5" (127 mm)
Weight:	E-Plex 5000 Cylindrical —8 lbs. (3.63 kg) E-Plex 5000 Mortise —8 lbs. (3.63 kg) E-Plex 5000 Exit Trim —10 lbs. (4.54 kg)

E-Plex 5000 Mortise

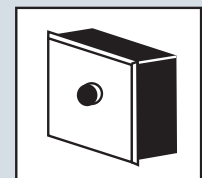
Dimensions



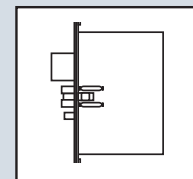
Optional Features



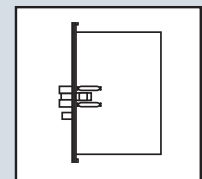
• PC Software



• Remote Unlock



• Deadbolt



• Without Deadbolt

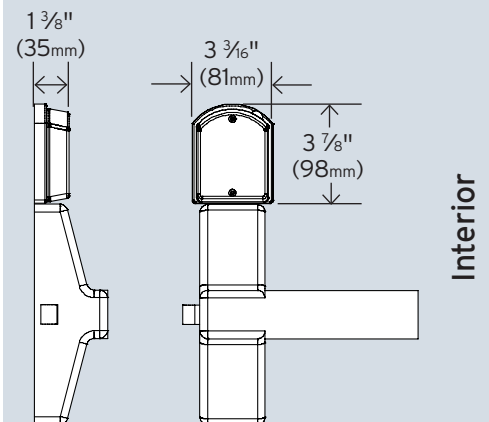
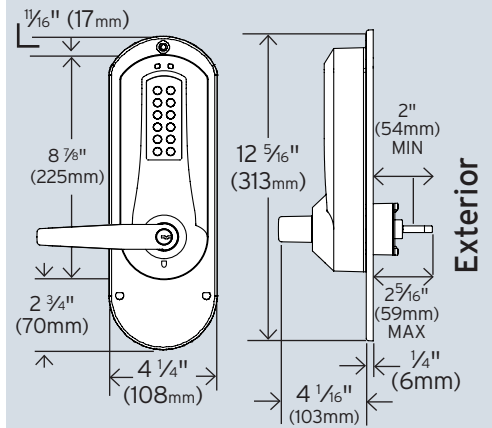
Key Override

Universal Key-In-Lever Cylinders:	Includes Kaba 1599 6-pin cylinder (prepped to Kaba 90 or Schlage C keyway, keyed different) and tailpieces for compatibility with:	
	Abloy 5277	Kaba Gemini 4730
	Abloy 5477	Kaba Gemini 4730
	Arrow C100	Marks
	ASSA 65611	Medeco 20W200H1
	ASSA65691	Sargent 10 Line
	Corbin Russwin 2000-03	Schlage 23-001
	Kaba 1539	Schlage Primus 20-760
	Kaba1599	
	Australian: Kaba expert 107K5, Boyd KC286	
	European: Quattro S/Expert, AP2 (5 and 6-pin)	
Interchangeable Cores:	Small format Best and equivalents (6 or 7-pin length)	
Removable Cores:	Large format ASSA, Medeco, Yale (5 or 6-pin), Corbin Russwin, Schlage, and Sargent	

Installation

Ease of Installation:	LectroBolt™ (patent pending) eliminates wiring to or through the door—no risk of pinched wires
Door Preparation:	E-Plex 5000 Cylindrical and E-Plex 5000 Exit Trim- ASA 161 (<i>Easily installs on door preparation with two additional through bore holes (wood or metal doors)</i>) E-Plex 5000 Mortise- ASA 86 door preparation with two additional through bore holes
Door Thickness:	E-Plex 5000 Cylindrical- 1 3/8" (35 mm) to 2 1/4" (57 mm) Preassembled to accommodate doors 1 5/8" (41 mm) to 2" (50 mm) E-Plex 5000 Mortise- 1 3/4" (44 mm) to 2 1/4" (57 mm) Preassembled to accommodate doors 1 5/8" (41 mm) to 2" (50 mm) E-Plex 5000 Exit Trim- 1 3/4" (44 mm) to 2 1/4" (57 mm) Preassembled to accommodate doors 1 3/4" (44 mm) to 2 1/8" (54 mm)
Items Supplied With Include:	E-Plex 5000 Cylindrical and E-Plex 5000 Mortise- Lock assembly, installation manual, template, quick reference guide, operations manual, and required hardware E-Plex 5000 Exit Trim- Lock assembly, installation manual, template, quick reference guide, operations manual, and required hardware. Exit Device and mounting hardware not included
Additional Items Supplied with Key-in-Lever Cylinder Model Only:	E-Plex 5000 Cylindrical and E-Plex 5000 Mortise- Universal Kaba 1599 6-pin cylinder with tailpiece, four additional tailpieces, and two nickel silver keys E-Plex 5000 Exit Trim- Universal Kaba 1599 6-pin cylinder with tailpiece, four additional tailpieces, nickel silver keys, and spare cylinder retainer

E-Plex 5000 Exit Trim Dimensions



Optional Features



- PC Software

Certification and Testing

Accessibility	Americans with Disabilities Act (ADA)
Standard:	
Durability:	E-Plex 5000 Cylindrical -ANSI/BHMA A156.25, Grade 1 Certification E-Plex 5000 Mortise -ANSI/BHMA A156.13, Grade 1 Certification E-Plex 5000 Exit Trim -ANSI/BHMA A156.3, Grade 1 Certification
Fire Rating:	Three-hour UL/ULC fire door rating for "A" labeled doors
Environmental:	Indoor/Outdoor Approved Front Housing: -31° F (-35° C) to + 151° F (66° C) Rear Housing: -31° F (-35° C) to + 130° F (55° C)

Warranty

Warranty:	Three-year warranty from date of installation; built-in warranty counter in lock memory
-----------	---

Available Finishes

Standard Finishes:	Satin Chrome 26D (626) housings & levers Black (676) housings with Satin Chrome (626) levers and accents
Optional Finishes:	Bright Brass 03 (605) housings and levers Satin Brass 04 (606) housings and levers Bright Chrome 026 (625) housings and levers Dark Bronze (744-Simulates 10B/613) housings and levers with Satin Brass (606) pushbuttons



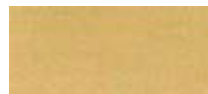
Satin Chrome



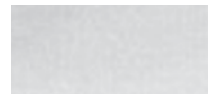
Black



Bright Brass



Satin Brass



Bright Chrome



Dark Bronze

Disclaimer: While reasonable efforts were made to ensure the accuracy of this document at the time of printing, Kaba assumes no liability for any errors or omissions. This information is subject to be revised without notice, and changes may be incorporated in future releases.

KAA1054 0108



Kaba has provided strong, powerful security solutions since 1862. During its 145-year history, Kaba has grown into a technological global leader in the security industry. Today, the Kaba Group invests substantially in research and development to stay at the forefront of the industry's technological leadership.

Kaba Access Control provides security in facilities around the globe. Innovative and comprehensive solutions have made it the preferred product choice for facilities and sites—including commercial buildings, institutions, residential, and government applications. Kaba customers appreciate our high quality, sustainable products and reliable service and support. Our global presence can be seen in operations in over 60 countries with a dedicated workforce of 10,000 employees.

Kaba Access Control
2941 Indiana Ave
Winston Salem, NC 27105
Tel: 1-800-849-8324
www.kabaaccess.com

