

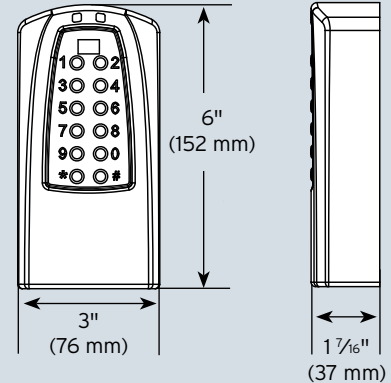
E-Plex[®] 5070/5270/5770

Stand-Alone Access Controller Specifications

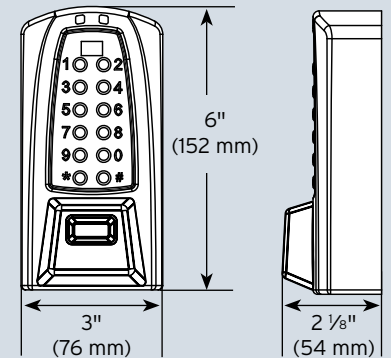


Dimensions

E-Plex 5070/5270



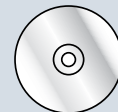
E-Plex 5770



Features

Access Control:	Electronic PIN/PROX solution for dual-swing doors, parking gates, glass doors, etc., featuring online-type functionality in a stand-alone, easy to install reader housing with keypad eliminates problems and costs associated with issuing, controlling and collecting keys. Provides exterior access control for multiple users using specific PINs (Personal Identification Numbers) and/or PROX Cards.
Number of Users:	<p>E-Plex 5070—100 Access Users; upgrades to 300 Access Users with optional software</p> <p>E-Plex 5270 and E-Plex 5770—3,000 Access Users; (300 using LearnLok™ feature)</p>
Programming:	<p>E-Plex 5070—Readers are programmed via keypad or with optional Microsoft® Excel based software—Simplifies management of doors and users as facility's number of users and access points grow</p> <p>E-Plex 5270—Readers are programmed via required E-Plex Advanced Access Control Software (not included)—provides easy management of doors and users</p> <p>E-Plex 5770—Readers are programmed via keypad with LearnLok™ feature or via optional E-Plex Advanced Access Control software (not included)—provides easy management of doors and users</p>
Scheduling:	<p>E-Plex 5270 and E-Plex 5770</p> <p>Access Schedules—Up to 16 different access schedules may be programmed into reader</p> <p>Holiday/Vacation—Up to 32 different holiday/vacation blocks maybe programmed into reader</p>
Operation Modes:	<ul style="list-style-type: none"> • Access (via Credential) • Lockout • Passage - can be toggled on/off or preprogrammed to re-lock manually or via software • Scheduled Access (5270 and 5770)

Optional Accessories



PC software

Features (Continued)

Authority Levels:	E-Plex 5070 —Five different levels allow you to control who has access to specific lock functions, including: Service Level —programmed for one-time access or "come and go" access for 1 to 24 hours E-Plex 5270 and E-Plex 5770 —Six different levels allow you to control who has access to specific lock functions, including: Service Level —codes from single event up to 4-day access, programmable in advance
User Parameters:	Code length —Adjustable to accept 4 to 8 digits Anti-tamper lockout —Adjustable from 3 to 9 invalid attempts with an adjustable period of 0 to 90 seconds Re-lock time —Adjustable from 2 to 20 seconds
Power:	Requires 12-24Vdc <u>regulated</u> power input from standard, off-the-shelf regulated power supplies. If power is lost, user data and lock parameters are retained in on-board memory. <u>Power supply must have battery backup</u>
Ease of Installation:	Simple, easy to install reader unit is pre-drilled for single gang box or wall mounting. Lockable Power Interface Unit (PIU) enclosure is pre-drilled and has knockouts for simple wiring with low voltage connections directly into off-the-shelf power supplies. Product also includes dry contacts (contact closure and alarm shunt) to interface with new or existing fire alarms and security systems
Items Supplied Include:	Installation manual, quick reference guide, operations manual, full-scale template, and required installation hardware

Mechanical Features

Construction:	Solid cast housing
Numeric Keypad:	Vandal resistant, solid metal pushbuttons
Weight:	5.26 lbs. (2.38 kg)

Electronic Features

Vandal Resistance:	Exclusive tamper-switch circuitry in reader housing prevents unauthorized access if unit is attacked or removed from mounting plate. If tamper is detected, the reader unit emits constant bright blue lights and all internal wires other than power become passive until unit is reset. Once reader unit is reinstalled and/or remotely reset, credential access is restored
Indicators:	Audible and visual indicators; visual tamper indicator
Audit Capability:	E-Plex 5070 —9,000 events with optional software E-Plex 5270 and E-Plex 5770 —30,000 Events with optional software
Access Schedule:	E-Plex 5270 and E-Plex 5770 —Up to 32 holiday and vacation blocks and 16 access schedules
Environmental Operating Range:	-31° F (-35° C) to 151° F (66° C)
Power Input:	25Vdc max regulated into Power Interface Unit (PIU)

Warranty

Warranty:	3-year warranty from date of installation; built-in warranty counter in memory
-----------	--

Available Finishes

Standard Finishes:	Satin Chrome 626 (26D), Black 676 housings with Satin Chrome 626 (26D) Levers and Accents
Optional Finishes:	Satin Brass 606 (04), Dark Bronze 744 with Brass Accents, Bright Brass 605 (03), and Bright Chrome 625 (026)



Bright Brass



Satin Brass



Bright Chrome



Satin Chrome



Black



Dark Bronze

Disclaimer: While reasonable efforts were made to ensure the accuracy of this document at the time of printing, Kaba assumes no liability for any errors or omissions. This information is subject to be revised without notice, and changes may be incorporated in future releases.

KAA1174 0209