

Norton®

ASSA ABLOY

5600 Series



ASSA ABLOY, the global leader
in door opening solutions

INTRODUCTION

The 5600 Series, the newest addition to the POWERMATIC® Family of Operators, offers functionality and control at an affordable price. Ideal for retrofit applications, the 5600 Series converts interior, non-fire rated doors for ADA compliance easily and affordably and provides a simple way to achieve touchless environments in public restrooms. Furnished standard with a track assembly, the pull-side mounted unit can be operated manually or activated by wall switches, or radio frequency devices. Easy to install, set-up and adjust, the 5600 Series is perfect for ADA-compliant offices, classrooms and dorm rooms, and touch free applications like public restrooms, labs and examination rooms.



FEATURES

- Pull side mounting
- Non-handed
- Quiet operation
- Electrically controlled backcheck, sweep and latch
- Activation options: wall switches, radio frequency devices
- Ease of installation and set-up
- On/Off Switch
- Hold open options: 0-30 seconds (5 seconds minimum required for ADA and ANSI/BHMA A156.19)
- Onboard 24VDC (1.1A) power supply for accessories
- Door closer mode for manual usage
- Electronic motor dampening - provides feel of normal, manual door closer
- Electric hardware and access control interface
- Optional AC power cord

PATENT

- Patent Pending

TABLE OF CONTENTS

Functions	3
Electrical Data	3
Certifications	3
Specifications	3
Standard Application	4
How to Order	4
Package & Accessories	5-6
Parts List	7

FUNCTIONS

- Push & Go
 - As the door is manually opened, the operator "senses" movement and opens door to the full-open position.
- Obstruction Detection
 - Motor stops if door is obstructed during opening
- Motor Start Delay
 - 0-5 second delay to allowing locking hardware to release first
- Overload Safety Shut-Off
 - After two minutes of receiving a door activation signal, the inverter will time out and close the door
 - Prevents motor/inverter damage

ELECTRICAL DATA

- Power Input; 120 VAC, 60Hz
- Current Draw: .6A
- Relay Output: SPDT
 - Normally Open/Normally Closed (jumper)
 - For electric strike function

CERTIFICATIONS

- 1-year warranty (refer to current Norton® price book for terms & conditions)
- Meets requirements for Americans with Disabilities Act (ADA)

SPECIFICATIONS

General Specifications

Operators for interior doors shall be products of one manufacturer and be matched in style. Operator (non-fire rated doors) closing force shall be adjustable to ensure adequate closing control and shall simulate conventional door closer opening and closing forces unless the power operator motor is activated or in the event of a power outage to the operator. Operators shall be non-handed and have electrically controlled backcheck, sweep, and latch with manual adjustment to set both the full open and full closed door positions. Maximum door open shall be adjustable up to 95°, pull side mounting, conditions permitting. Operators can be SELECTIVELY ACTIVATED (i.e. external wall switches, radio frequency devices). Operators shall have input line rating of 120VAC, .6A, and include on board relay contact for interfacing with products having a rating of 24VDC at 1A. Door operators shall include an external On/Off Switch to defeat powered opening cycle and an internal circuit breaker switch to interrupt input power for servicing. Operators shall be ETL certified and conform to ANSI/U.L. standard 325 for automatic closing doors. Door operators shall be in compliance with the requirements of the Americans with Disabilities Act (ADA) and ANSI/BHMA standard A117.1.

Additional Detailed Specifications:

When activated, the door operator shall, by means of an integral motor, power open the door at both a speed and force adjustable to meet accessibility codes. The door shall be powered from a door closed position to a full door open position and remain in momentary hold open for 0 to 30 seconds (adjustable 0 to 30 seconds); (A.D.A requires 5 seconds minimum hold open). Operators shall be capable of allowing the door to be opened manually from 0 to 95°, conditions permitting. Once door operator reaches full hold open position, if reinitiated, the momentary hold open time shall restart from the initially set hold open time. If door operator is initiated during the closing cycle, the operator shall revert to opening cycle beginning at that door position. Obstruction detection during opening shall neutralize and reverse motor action reverting motor to closed position allowing door to close by means of the integral motor. The obstruction detection feature shall be integral to the door operator. During closing cycle, the door operator shall close door by means of integral motor power not to exceed a closing force of 15 lbf. In the event of power loss, the door will remain in the position at the time of the power loss during the opening or the closing cycles.

STANDARD APPLICATION

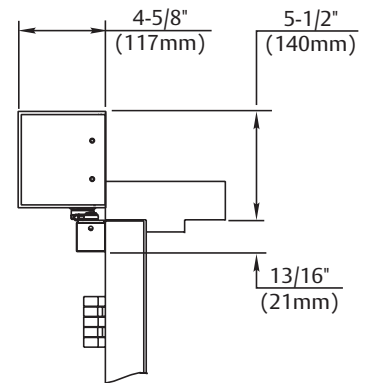
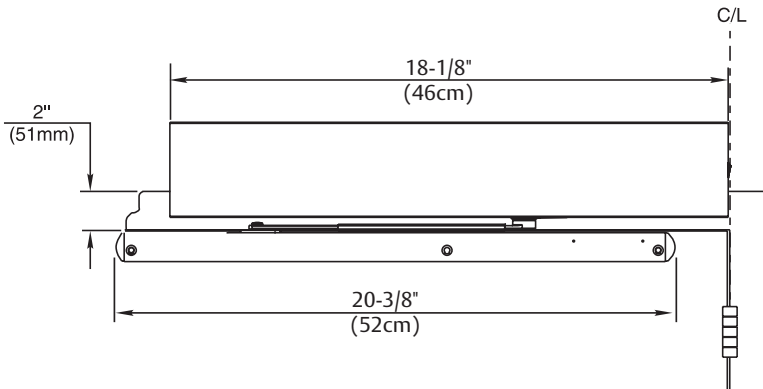


5610 HINGE (PULL) SIDE OF DOOR

- Adjustable Stop
- 95° swing (trim permitting)

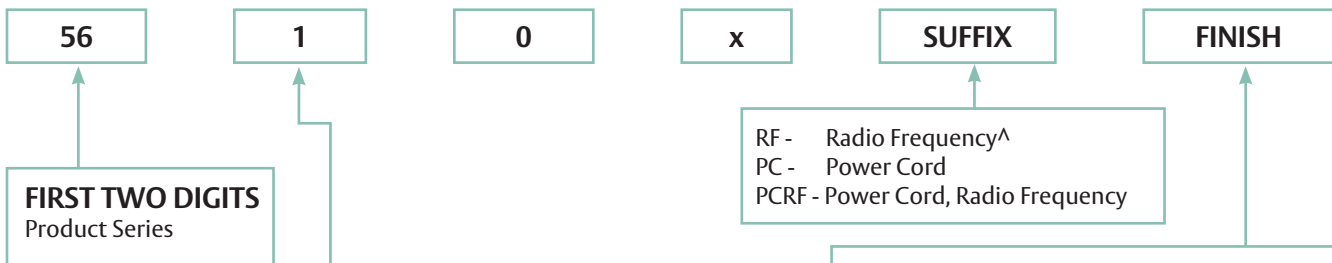
Door width:
Minimum = 32"
Maximum = 36"

An auxiliary stop is recommended.



Note: Contact factory if doors exceed 150 lbs.

HOW TO ORDER



FIRST TWO DIGITS
Product Series

THIRD DIGIT
Identifies Type of Application

HINGE (PULL) SIDE OF DOOR
1 – Rigid Arm & Slide Track
Max reveal 1/8" (3mm) up to 95° door swing

SUFFIX

RF - Radio Frequency[^]
PC - Power Cord
PCRF - Power Cord, Radio Frequency

FINISHES
Product will be sprayed with a combination of waterborne acrylic and polyester powder coat.

Description	Specify Designation (BHMA)	Complements the following finishes	Old Designation
Aluminum	689	628, 625, 629, 630, 651	AL
Statuary Bronze	690	640, 613	STAT

[^] Actuators not supplied with RF.
Note: For Packages and Accessories see page 5.

*600 is a special rust inhibiting prime coat. Closers can be ordered prime coat only (specify closer x 600). An additional charge applies if finish coat is required over prime coat (ex: 5610 x 600 x 689).

PACKAGES

Model #*	Package Description
5610K1	5610 operator, power supply and (1) 697 switch

* Specify finish

Note: No substitutions allowed. Other accessories may be ordered separately.

ACCESSORIES

Activating Door Switches



501



502

- 4-1/2" W. x 4-1/2" H.
- 15 amp @ 125 VAC
- Flush mounted – hard wired
- Fits single or 2 gang electrical box
- 501 – Stainless steel with black letters
- 502 – Blue powder coat with white letters



505, 531



507, 532

- 6" W. x 6" H.
- 9 volt battery
- 15 amp @ 125VAC
- Flush or surface mounted
- Stainless steel with blue letters
- 531, 532, 533 and 535 - radio frequency (433MHz). Used with RF1 option and 586KIT.
- 507, 505, 506 and 534 - hard wired*



506, 533



534, 535

* Switches may also be installed with single or double gang electrical box using fasteners included.



503

- 1-1/2" x 4-3/4" face plate
- SPDT UL listed switch-mom.
- 15 amp @ 125 VAC
- Fits 1-3/4" frame
- Stainless steel with blue letters

Vestibule Switches



504

- 5" W. x 4-3/4" H.
- 2 – SPDT UL listed switches-mom.
- 15 amp @ 125 VAC
- Fits 2-gang electrical box
- Stainless steel with blue letters

Touch Less Wall Switch



697

- Single gang and double gang
- Doppler radar
- Sensor requires movement for activation
- Variable relay-hold time from 1 to 10 seconds
- Range of 2" to 24" – field adjustable
- 2-3/4" (Single); 4-1/2" (Double) W. x 4-1/2" H.

All hard wired switches are Momentary Contact SPDT, UL Listed. Optional DPDT switches are available; suffix "D" to model number.

ACCESSORIES

Radio Frequency Receiver



539

- 433 MHz

Transmitters



536

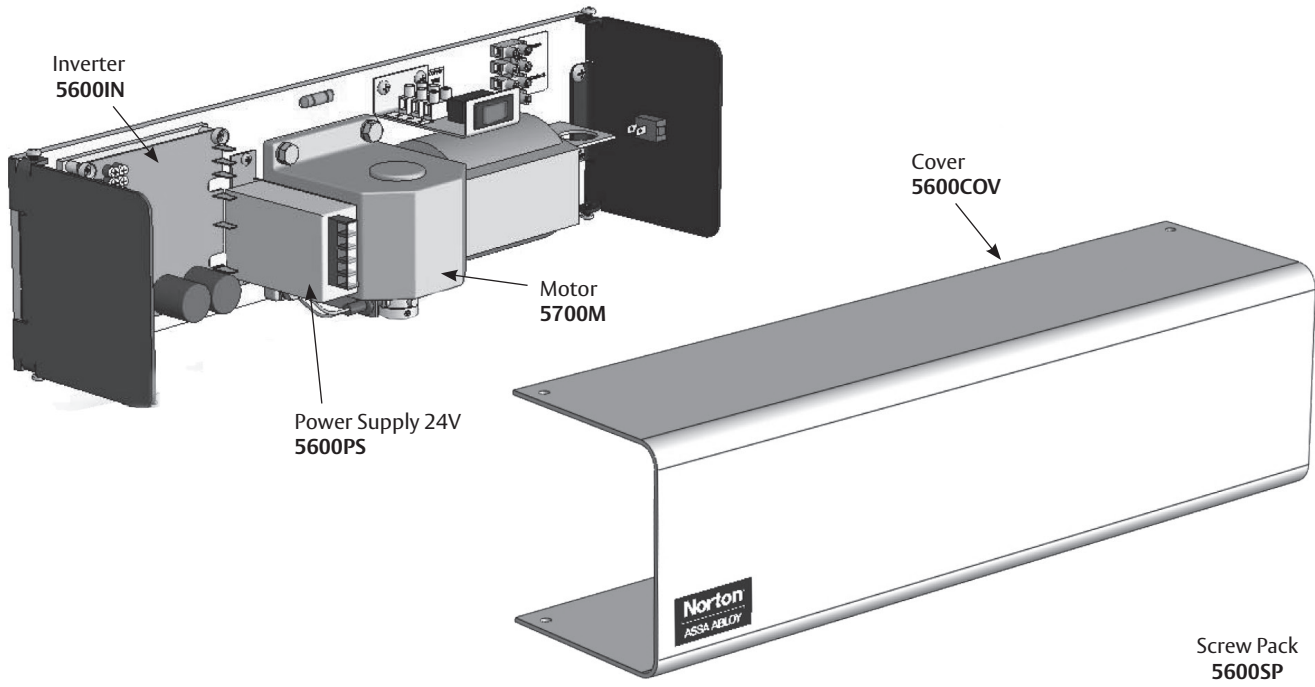
- 2-3/8" w x 4-3/16" h x 15/16" d
- Single channel



538

- 2-3/8" w x 4-3/16" h x 15-16" d
- Two channel

PARTS LIST

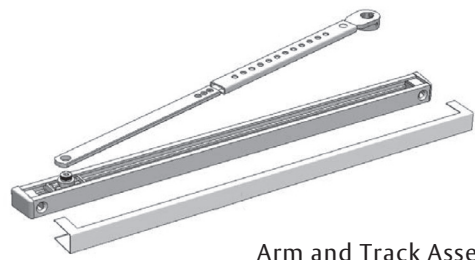


Power Cord Input - Factory prepped and installed receptacle

Note: Consult local authority having jurisdiction to confirm use of power cord is acceptable. Operator must be furnished with the power cord from the factory. Power cords cannot be added to operators in the field. Maximum distance from operator to receptacle is 15".

Power Cord
(length = 18")
5700PC

ARM & TRACK ASSEMBLY



Arm and Track Assembly
5610-1



ASSA ABLOY

For a complete listing of products and applications please visit our web site.

www.nortondoорcontrols.com

www.assaabloy.ca

Or contact us at:

Norton Door Controls

3000 Highway 74 East

Monroe, NC 28112

Tel: 877-974-2255

Fax: 800-338-0965

ASSA ABLOY Door Security Solutions Canada

160 Four Valley Drive

Vaughan, Ontario, L4K 4T9 Canada

Tel: 800-461-3007

Fax: 905-738-2478

Norton® and Powermatic® are registered trademarks of Yale Security Inc., an ASSA ABLOY Group company. These materials are protected under U.S. copyright laws. All contents current at time of publication. Copyright © 2011, Yale Security Inc., an ASSA ABLOY Group company. All rights reserved. Reproduction in whole or in part without the express written permission of Yale Security, Inc. is prohibited.

ASSA ABLOY is the global leader in door opening solutions, dedicated to satisfying end-user needs for security, safety and convenience.