



ASSA ABLOY

# 8000 Series Architectural Door Closers



ASSA ABLOY, the global leader  
in door opening solutions

OVERVIEW

**Features**

- Non-handed
- Staked valves
- Standard, separate and independent, latch, sweep and backcheck intensity valves
- Cast aluminum body
- Rack-and-pinion design
- 1-1/4" (32mm) diameter piston
- 5/8" (16mm) diameter pinion journals
- 2-1/8" (54mm) projection (standard covers)
- All standard arm applications (with slim, full or metal covers) allow doors to swing 180 degrees, conditions permitting
- 8300/8301 - shipped with slim-line plastic cover
- 8500/8501 - shipped with full plastic cover
- Full size template
- 10-year limited warranty

**Optional Features**

- Metal, architectural plastic or architectural metal covers (8500 or 8501 only)
- Lead lined metal cover - suffix MLL
- Delayed action
- Heavy-duty arms; Regular Rigid, Parallel Rigid, CloserPlus®, CloserPlus Spring™, Unitrol®
- Slide Tracks: push or pull side mounting

**Compliance Standards**

- ANSI/BHMA A156.4, Grade 1 certified
- UL listed
- UL10C compliant for positive pressure
- ADA compliant (8301 and 8501)

Features	8300	8500	8301	8501
Sized springs 2, 3, 4, 5, 6 with 50% additional adjustment	X	X		
Adjustable spring sizes 1 through 6			X	X
Bi-pack packaging standard (regular arm and top jamb mounting)	X	X		
Tri-Style® packaging standard (regular arm, top jamb and parallel arm mounting)			X	X

TABLE OF CONTENTS

Overview .....2-3

How to Order .....4

Fasteners/Finishes .....5

Features .....6

Optional Features .....6-7

Suggested Specifications .....8

Applications .....9-12

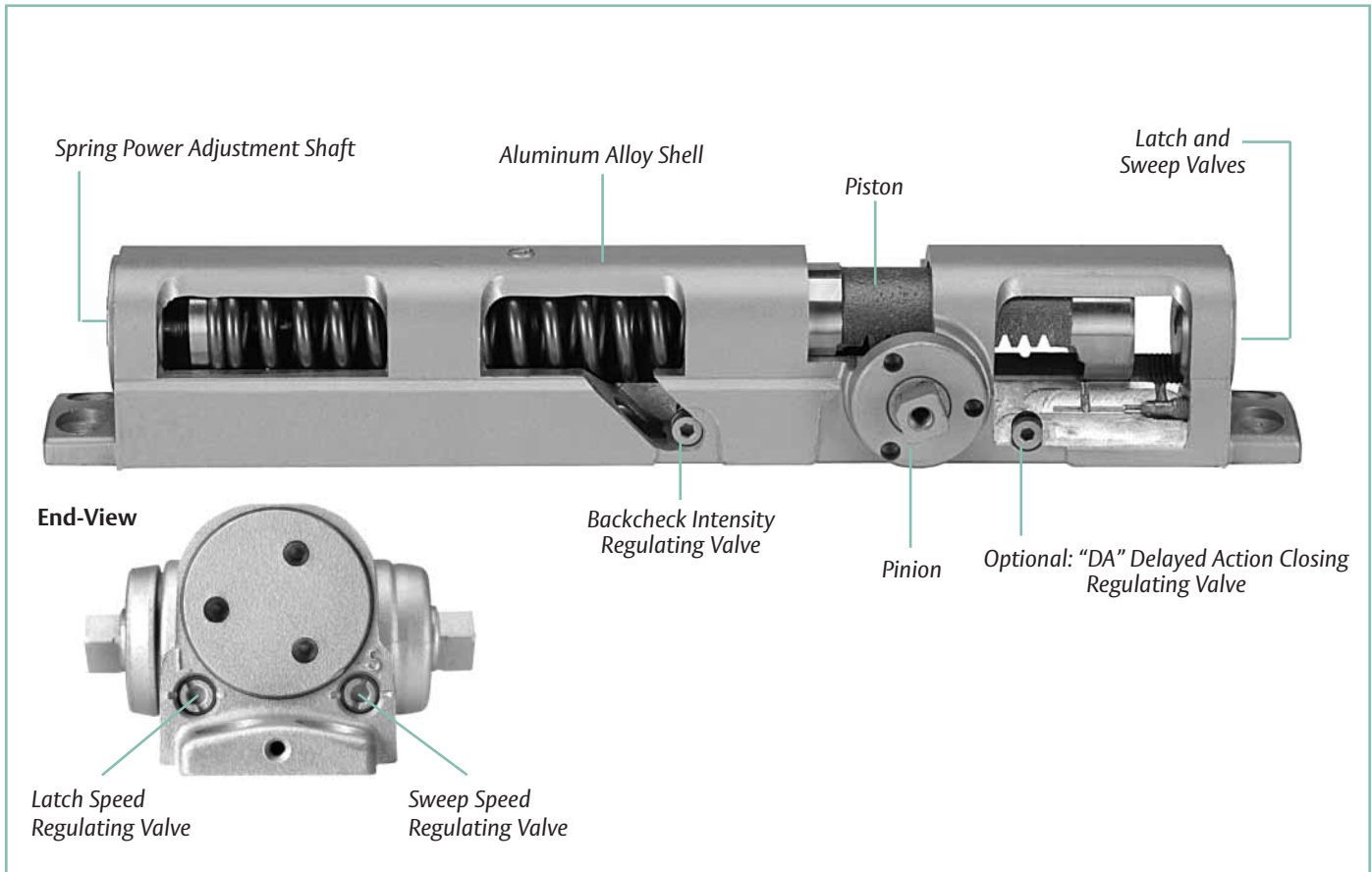
Technical Details .....13-25

Accessories .....26-38

Parts List .....38-50

OVERVIEW

## Cutaway View



COMPLIANCE STANDARDS

Series 8301 and 8501 door closers are designed to comply with requirements of the Americans with Disabilities Act (A.D.A.) and ANSI/BHMA standard A117.1. All series 8300/8500/8301/8501 are ANSI/BHMA A156.4, Grade 1 certified. All Norton series 8300/8500/8301/8501 closers with non-hold open arms are listed by Underwriters Laboratories for labeled fire doors. This includes compliance to UL10C and UBC-72 (1997) for 3-hour assemblies. The product is manufactured in an ISO 9001 facility. These closers are listed by the New York City Materials and Equipment Acceptance Division.

**CAUTION: Door Closers for Low Opening Force Applications:**

Door closers installed in openings required to meet the requirements of The Americans with Disabilities Act or ANSI Standard A117.1, when adjusted to meet those requirements, may not provide adequate closing power to dependably close and latch the door.

**HOW TO ORDER**

For optimum protection of door and frame assemblies, always use auxiliary wall, floor, or overhead door stop.

<b>No Prefix</b>	8300/8500 series designates bi-packed (regular & top jamb) (Top Jamb up to 3" reveal) 8301/8501 series designates Tri-Style® (stock closers)
	<b>J</b> - Top Jamb installation. 2-3/4 to 7" reveal - 150° swing <b>P</b> - 8300/8500 parallel arm only - 8301/8501 parallel arm units with specialty brackets - 8380/8580 low profile closer <b>PR</b> - Parallel rigid arm (parallel arm only - specify hand for hold open functions) <b>PRO</b> - Parallel rigid arm with offset soffit plate (parallel arm only - specify hand for hold open applications) <b>PS</b> - For push side mounted slide track only <b>R</b> - Regular rigid heavy-duty arm (Torx® screws not included) <b>CLP</b> - CloserPlus® arm (parallel arm only) <b>CPS</b> - CloserPlus Spring™ arm (parallel arm only) <b>UNI</b> - Unitrol® arm (parallel arm only - specify door width) <b>UNIJ</b> - <i>Unitrol</i> arm (top jamb only - specify frame reveal)
<b>Prefixes</b>	

<b>"No Suffixes"</b> - Standard non-hold open arm <b>"H"</b> - Standard hold open arm <b>"M"</b> - Metal cover; optional for series 8500 and 8501 closers only (Specify hand for Top Jamb closer) <b>MLL</b> - Lead lined metal cover <b>"A"</b> - Optional Architectural Plastic cover (8500/8501 only) <b>"MA"</b> - Optional Architectural Metal cover (8500/8501 only) <b>"T"</b> - Thumbturn hold open on <i>CloserPlus</i> (CLP) & <i>CloserPlus Spring</i> (CPS) arms <b>"DA"</b> - Adjustable delayed action closing optional. Available with adjustable backcheck cushioning for all series <b>"ST"</b> - Slide track single lever arm (pull side standard. For push side prefix PS) <b>"DE"</b> - Pull side slide track arm for double egress frame with reveal (Handed)				
<b>Appearance Options</b> "1" - without cover "3" - closer with Slim Line cover "5" - closer with Full cover				
<b>8</b> <b>First Digit</b> Defines Closer Series	<b>3</b> <b>Second Digit</b> Specifies Cover Option	<b>0</b> <b>Third Digit</b> Specifies Type of Arm	<b>1</b> <b>Fourth Digit</b> Specifies Closer Size	<b>H</b> <b>Suffix</b>
"0" - Specifies standard type arms for non-hold open, hold open closers "4" - Specifies low profile slide track "8" - Specifies a low profile arm for non-hold open closers only				
"1" - Full Power Range Closer adjustable sizes 1 through 6 (also adjustable to comply with Accessibility Code Closer Requirements) "2" - ANSI size 2 "3" - ANSI size 3 "4" - ANSI size 4 "5" - ANSI size 5 "6" - ANSI size 6				

**Note:**

- Warranty becomes void if door closer is installed on the exterior side of a door in the exterior wall of a building.
- It is strongly recommended, and required on fire door assemblies, that doors having a door closer be hung on ball bearing or anti-friction hinges or pivots; unless an alternate method is identified in the door manufacturer's listing.
- Failure to use the correct type and size fasteners may void factory warranty.
- Fasteners for fire/smoke door assemblies must conform to NFPA 80. In some applications additional fasteners may be mandated by NFPA 80 that are not shipped with standard *Norton* product, such as sleeve-nuts/sex-nuts or through-bolts and grommet nuts.
- Sizing charts provided on pages 13-25 are based on 1-3/4" (44mm) x 7' (2.13m) standard weight doors swinging to 110°. Other conditions (such as door height or weight; or wind/draft conditions) may require a larger size closer.

## Fasteners

Type	Description	Arm								
		RA	PA	TJ	Low Profile	PR	CLP / CPS	UNI	UNI-J	Slide Track
<b>DOOR</b>										
SDST	Self Drilling Self Tapping	S	S	S	S	O	O	O	O	O
MS	Machine Screw	S	S	S	S	S	S	S	S	S
SN	Sleeve Nut	O	O	O	O	S	S	S	S	S
TBGN	Through-Bolts & Grommet Nuts	O	O	O	O	O	O	O	O	O
SMS	Sheet Metal Screws	O	O	O	O	O	O	O	O	O
Torx®	Torx Drive Security Screw	O	O	O	O	O	O	O	O	O
<b>FRAME</b>										
SDST	Self Drilling Self Tapping	S	S	S	S	S	S	S	S	S
MS	Machine Screw	S	S	S	S	S	S	S	S	S
SMS	Sheet Metal Screws	O	O	O	O	O	O	O	O	O
Torx	Torx Drive Security Screw	O	O	O	O	O	O	O	O	O

S = standard; O = optional

SN are for use on unreinforced hollow metal doors or to prevent any hollow metal door from collapse/dimpling. They can also be used for thru bolting on wood doors. SN are supplied for 1-3/4" (44mm) thick doors unless specified for 1-3/8" (35mm) or 2-1/4" (57mm) thick doors.

TBGN are an alternative to SN for wood doors. TBGN are supplied standard for 1-3/4" (44mm) thick doors. They can be specified for 1-3/8" (35mm) thick doors.

SMS - when specified, closer will be packed with sheet metal screws for the door AND sheet metal screws plus machine screws for the frame. TORX screws with security pin are standard with Security Door Closers. Torx may be specified for all other series applications. Torx are only available with machine screw threads. Sheet metal screw threads or wood screw threads are not available.

Note: To order special fasteners with closers, specify model number x fastener (Ex: 8501 x 689 x TBGN)

## Finishes

Product will be painted with a combination of waterborne acrylic and polyester powder coat. Closers will withstand 120 hours of salt spray. ANSI requires 25 hours.

## Sprayed Finishes

Description	Specify Designation (BHMA)	Complements the following Architectural Plated Finishes	Old Designation
Aluminum	689	628, 625, 629, 630, 651, 652	AL
Statuary Bronze	690	640, 613	STAT
Dull Bronze	691	612, 637, 639	DB
Black	693	315	315
Medium Amber	694	312	312
Gold	696	605, 606, 632, 633	GB
Prime Coat (Beige)*	600		SRI

\*600 is a special rust inhibiting prime coat. Closers can be ordered prime coat only (specify closer x 600). An additional charge applies if finish coat is required over prime coat (ex: 8501 x 600 x 689).

Finishes other than those listed above may be available on special order. A sample will be required.

Plated Finishes (8500M, 8501M, 8500MA & 8501MA only)		Cover		Old Designation
		Metal	Arch. Metal	
Bright Brass	605E	Yes	Yes	US3
Satin Brass	606E	Yes	Yes	US4
Bright Bronze	611E	Yes	Yes	US9
Satin Bronze	612E	Yes	Yes	US10
Oxidized Oil Rubbed Bronze	613E	Yes	Yes	US10B
Bright Chrome	625E	Yes	Yes	US26
Satin Chrome	626E	Yes	Yes	US26D

\* When a plated finish is ordered, arm and cover will be plated unless "cover only" is specified.

8300/8301 - available with plated arm only.

FEATURES

**Aluminum Alloy Housing**

Closer bodies are constructed of a special aluminum alloy, carefully selected to accommodate interactive steel components and operating conditions.

**Rack & Pinion Operation**

Provides a smooth constant control of the door through its full opening and closing cycle. 180° door swing can be achieved when door, frame, hardware and arm function do not interfere.

**Non-handed**

With few exceptions all series 8300/8500 and series 8301/8501 door closers are non-handed and can be installed on either right- or left-hand swing doors. Pinion shaft extends vertically through the closer body in both directions. Some options, as noted on pages 6-7, will require that the hand of the closer be specified.

**Sweep Speed Control Valve**

Allows adjustment of door speed from the door's full open position down to approximately 10° from the closed position.

**Latch Speed Control Valve**

Allows adjustment of door speed from approximately 10° down to the door's fully closed position.

**Tri-Style®**

8301/8501 comes with screws, brackets and soffit plates to allow for regular, top jamb, and parallel arm installations.

**Adjustable Backcheck Valve**

Provides control of the door in the opening cycle, beginning at approximately 75° of door opening. It cushions the door opening when the door is forcibly opened beyond its pre-adjusted limits.

**Standard Molded Covers**

Molded of high-impact U.L. listed material. These covers are non-handed for all applications.

**Warranty**

Limited ten-year warranty for defects and life of the building on the aluminum housing.

**Closer Fluid**

NorGlide® closer fluid is a specially formulated multi-viscosity hydraulic fluid that contains lubricity and anti-oxidation agents that provide optimum performance and efficiency. This fluid complements the interaction of the door closer's aluminum housing with its steel and brass components, while maintaining stable viscosity to allow the door closer to perform in temperatures ranging from extremely high to as low as -40° F.

**Door Closer Power Options**

**Series 8300/8500 Sized Door Closer**

Available in five different power sizes (2, 3, 4, 5 or 6). Each power size is adjustable up to 50% stronger than the minimum closing force for that size; as outlined in ANSI/BHMA standard A156.4 option PT 4C.

**Series 8301/8501 Multi-Sized Door Closer**

Adjustable through the power range of sizes 1 through 6; as outlined in ANSI/BHMA specification A156.4 option PT 4H.

Closers will also comply with the opening force requirements as outlined in the Americans with Disabilities Act (ADA) and ANSI/BHMA standard A117.1 for interior doors.

OPTIONAL FEATURES  
COVERS

**Optional Metal Cover**

This steel cover is non-handed for regular and parallel arm applications, but is handed for top jamb applications. Cover is available in sprayed or plated finishes.



**Optional Architectural Covers \***

**Plastic** Architectural plastic covers are molded of high-impact U.L. listed material. They are non-handed and available in sprayed finishes.

**Metal** The architectural metal covers are steel and non-handed for all applications. These covers are available in sprayed or plated finishes.



\* For Parallel Arm Applications - Consult factory for doors swinging more than 120°

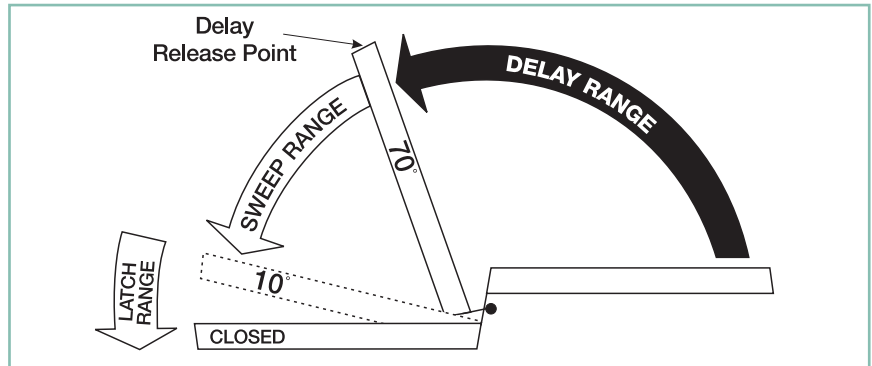


**OPTIONAL FEATURES  
DELAYED ACTION**

### Adjustable Delayed Action Closing

An optional hydraulic feature that adds a third speed range to the closing cycle. This feature becomes effective when the door is opened and released at any point beyond 70°. The amount of time delay depends upon the combination of the angle of door release and valve adjustment. The valve can be adjusted with a 1/8" (3mm) hex key from no delay time up to maximum delay times of:

Door Opened	Approximate Time of Delay Cycle
180°	4-5 minutes
120°	2-3 minutes
90°	25-30 seconds



### Suggested Applications

Delayed Action closing allows slow-moving traffic to clear the opening before the door closer's normal closing cycle begins. This feature can be helpful in health care facilities such as hospitals and nursing homes. It provides sufficient time for persons on crutches or in wheelchairs to pass through a door without concern of it closing. At the same time, it can accommodate the facility's staff with movement of food service carts, beds, and other wheeled traffic.

Use of delayed action closers on many doors throughout industrial and commercial buildings can also assist the flow of traffic. Locations where additional time to clear the opening is advantageous are doors between office and factory/warehouse facilities, doors to workshops or laboratories, to kitchen and food processing areas, etc.

### Pressure Relief Safety Valve

The delayed action hydraulic system contains a pressure relief valve. Any time the door is forced toward the closed direction while it is in the closing cycle, the valve will open and permit the door to close. This prevents damage to door, frame and closer.

**OPTIONAL FEATURES  
ARMS**

### Non-Hold Open

Self-closes door every time door is opened. Auxiliary stop (by others) required except when using the CloserPlus®, CloserPlus Spring™ or Unitrol® arms.

### Hold Open

Achieved by means of friction or ball and detent/ roller. Friction hold open has a range of 90° to 180° using template location and mechanical adjustment. Ball and detent or roller hold open is effective in a range of 85° to 110°. Hold open arm door closers are not permitted to be used on fire door assemblies.

### Door Opening Degrees

Arm Function	Regular Arm, Top Jamb Parallel Arm	Parallel Rigid Arm	CloserPlus® Parallel Arm	CloserPlus Spring™ Parallel Arm	Unitrol® Parallel Arm	Unitrol Top Jamb	Low Profile Regular, Parallel	Slide Track
Non-Hold Open	✓	✓	85° to 110°	85° to 110°	85° to 110°	85° to 110°	✓	85° to 110°/180°
Hold Open	90° to 180°	85° to 180°	85° to 110°	85° to 110°	85° to 110°	85° to 110°	N/A	85° to 110°

✓=180° trim and template permitting

SUGGESTED SPECIFICATIONS

**8301/8501 Series**

Closers for interior and exterior doors shall be full rack-and-pinion type with cast aluminum alloy shell. Closers shall be surface mounted and shall project no more than 2-1/8" from the surface of the door with standard cover. Closers shall be non-handed to permit installation on doors of either hand. Closer fluid shall contain lubricity and anti-oxidation agents. Closer fluid shall maintain stable viscosity to allow door closer to perform in temperatures ranging from extremely high to as low as -40°F. Closers shall have multi-size spring power adjustment to permit setting of spring from size 1 through size 6. Closers shall have two non-critical valves, hex key adjusted, to independently regulate sweep speed and latch speed. Closers shall have adjustable backcheck intensity controlled by a hex key adjusted valve.

[Closers shall have adjustable delayed action closing controlled by a hex key adjustable valve.]

Regular arm and top jamb closers shall have a non-hold open shoe permitting 15% (+ or - 7-1/2%) power adjustment.

\*\*Closers shall be enclosed in a [molded resin cover] [plated or sprayed metal cover], Closers to be Norton® [8301/8501] [8501M] [8501MA] [8501A].

\*\*For special arms insert that specification here (see column three on this page).

**8300/8500 Series**

Closers for interior and exterior doors shall be full rack-and-pinion type with cast aluminum alloy shell. Closers shall be surface mounted and shall project no more than 2-1/8" from the surface of the door with standard cover. Closers shall be non-handed to permit installation of doors of either hand. Closer fluid shall contain lubricity and anti-oxidation agents. Closer fluid shall maintain stable viscosity to allow door closer to perform in temperatures ranging from extremely high to as low as -40°F. Closers shall have power adjustment to permit a 50% increase in power over the minimum closing force for any size. Closers shall have two non-critical valves, hex key adjusted, to independently regulate sweep speed and latch speed. Closers shall have adjustable backcheck intensity controlled by a hex key adjusted valve.

[Closers shall have adjustable delayed action closing controlled by a hex key adjustable valve.]

Regular arm and top jamb closers shall have a non-hold open shoe permitting 15% (+ or - 7-1/2%) power adjustment.\*\*

Closers shall be enclosed in a [molded resin cover] [plated or sprayed metal cover], Closers to be Norton [8300/8500] [8500M] [8500A] [8500MA].

\*\*For special arms insert that specification here (see column three on this page).

**\*\*Unitrol® Arm**

Door closers shall have a fixed door stop feature effective at one point selected at installation, from 85° - 110° in five-degree increments. Door stop shall be cushioned by a shock-absorbing heavy-duty spring action effective at the [soffit plate] [arm shoe] pivot. [Closers shall be provided for parallel arm installation using a rigid steel main arm and secondary arm lengths proportional to the door width.] [Closers shall be provided for top jamb installation using a forged steel, rigid main arm and telescoping secondary arm adequate for the frame reveal of the openings.]

**\*\*CloserPlus® Arm**

Door closers shall have a field reversible door stop. Door closer shall have a feature with selectable on and off ball and detent hold open. Hold open tension shall be adjustable effective at one point selected at installation, from 85° - 110° in five degree increments. [Hold open mechanism shall have engage/disengage selection actuated by thumbturn]. Closers shall be provided for parallel arm installation using a forged rigid steel main arm and secondary arm.

**\*\*CloserPlus Spring™ Arm**

Door closers shall have built-in door stop [and holder] effective at one point selected at installation, from 85° - 110° in five-degree increments. Door stop mechanism shall be reversible and have a buffer spring that engages prior to the dead stop feature, reducing shock loads to the door and frame assembly. Door stop mechanism shall be non-handed and attached to soffit plate. [Hold open mechanism shall have engage/disengage selection actuated by thumbturn]. Closers shall be provided for parallel installation using a forged rigid steel main arm and secondary arm.



## APPLICATIONS



### Regular Arm

8301 - slim cover

This is the only pull-side application where a double lever arm is used. It is the most power-efficient application for a door closer. Sufficient frame, door and/or ceiling clearance must be considered.



8501 - full cover

Since the arm assembly projects directly out from the frame, this application may present an aesthetics issue or be prone to vandalism.

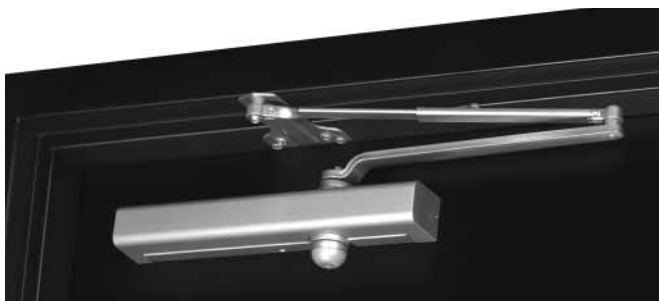


### Top Jamb

For efficiency reasons this application provides the best alternative to the regular arm application. There must be sufficient frame face and/or ceiling clearance for this application. It requires a top rail on the door of just 2-1/4" (57mm). This application provides the best door control for doors in exterior walls that swing out of a building.



The entire door closer and arm assembly project from the frame, similar to the regular arm application, where matters of appearance and malicious abuse can be of concern. Consideration must be given to depth of frame reveal.



### Parallel Arm

This application provides the most appealing design appearance for a surface-mounted door closer having a double lever arm. This also makes it beneficial in vandalism-prone areas. It is on the push side of the door and the arm assembly extends almost parallel to the door. In the closed position, there is very little or no hardware projecting beyond the frame face in most situations.



Due to the geometry of the arm it is approximately 25% less power efficient than a regular arm application. The entire closer and arm assembly are mounted below the frame stop. Top rail clearance dimensions will vary based on the type of cover used. (See pg.15)

APPLICATIONS



Non-hold open arm shown



Hold open arm shown

**Parallel Rigid Arm**

An enhanced variation of the standard parallel arm assembly that is intended for use in heavy traffic areas where auxiliary door stops are installed.

Hold open available - specify hand when ordering.

**CloserPlus® Arm**

Similar to the Parallel Rigid arm, this arm incorporates a stop at the arm's soffit plate to dead stop the door at a predetermined degree of door swing between 85° and 110°, in 5° increments. Prior to dead stop the door closer's backcheck feature slows the door speed to reduce the impact of the stop action.

The *CloserPlus* Arm is intended for use where an auxiliary door stop cannot be utilized and no more than moderate abuse is anticipated. Where more extreme conditions are expected, use of a *Unitrol* arm is recommended.

Available with or without hold open. (Hold open strength is adjustable.)



Non-hold open arm shown



**Regular Rigid Arm**

This double lever arm features a non-adjustable secondary arm. Orbitally riveted joints prevent tampering or disassembly. Prefix "R" to model number. Available non-hold open only.

**CloserPlus Spring™ Arm**

This arm has all the characteristics of the *CloserPlus* arm with an additional steel buffer spring that provides greater protection at the end of the door opening cycle.

For extreme conditions, use of a *Unitrol* arm is recommended. Available with or without hold open.

## APPLICATIONS



### Parallel Rigid Offset Arm

This heavy-duty parallel rigid arm provides additional vertical clearance. It is well suited for applications where weather-stripping or other hardware prevents the use of the standard Parallel Rigid (PR) soffit plate. The non-hold open and hold arms allow 1-1/4" clearance. When used in conjunction with a #6891 spacer block, the PRO arm provides 1-7/8" clearance to accommodate the use of a surface overhead stop/holder.



Parallel



Top Jamb

### Unitrol® Arm

Can be used for either parallel arm or top jamb applications. *Unitrol* arms combine the features of a double lever arm overhead door stop/holder with the backcheck feature of the door closer to reduce door stopping shock loads to a minimum. The *Unitrol* uses a compression spring buffer at the soffit plate/arm shoe that will absorb 30 lbf. of force, 5° prior to the door's dead stop. Coupled

with the door closer's backcheck feature, this arm provides the most controlled stop available with a surface door closer. For parallel arm applications there are three different length arm assemblies. Each length is designed for a specific range of door widths, to provide precise door control. This further lessens the dead stop impact on the door's hinges/pivots.

APPLICATIONS



Pull Side



Push Side

**Slide Track**

Whether pull- or push-side mounted, slide track provides the designer with the smoothest lines available in a surface-mounted door closer. The single lever arm allows components to be located in a stack configuration to minimize projection and eliminate obtrusive arm angles. The arm geometry reduces door closer power efficiency by approximately 25% from that of a regular arm.

**Standard unit:**

- Adjustable 85° - 110° (hold open and non-hold open). Track is supplied with a spring buffered stop. An auxiliary stop, by others, is recommended.
- Specify if hold open unit is required.
- 180° swing (non-hold open, pull side only) is also available. This track assembly requires that a door stop, by others, be supplied to stop the door.



Regular Arm

**Regular Arm:** Allows closer to be installed where there is as little as 1" (25mm) of frame face or ceiling clearance.



Parallel Arm

**Parallel Arm:** Allows closer to be installed 1/2" (13mm) higher up on door than standard parallel arm application.

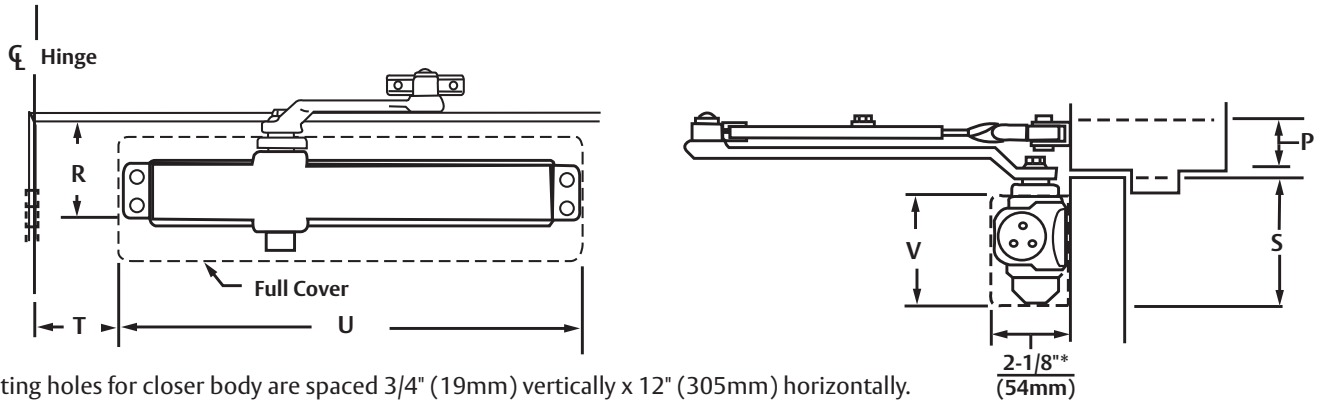
**Low Profile Arm**

Supplied with 8380/8580, 8381/8581 series door closers for non-hold open installations only. Low profile arms have a reduced height elbow joint and a straight main arm. This enables the door closer to be installed in less vertical space.

**Note:** Low profile arm door closers are not supplied with Tri-Style® packaging.

# 8000 Series Door Closers

**REGULAR ARM**



Mounting holes for closer body are spaced 3/4" (19mm) vertically x 12" (305mm) horizontally.  
 Note: All measurements are inches/mm.  
 Maximum 180° door swing, conditions permitting.

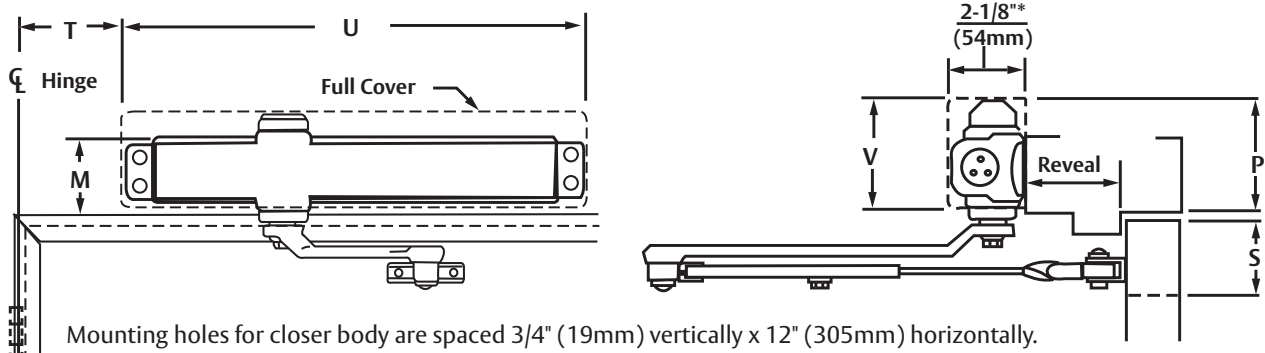
Closer Series	Covers	P Minimum Ceiling Clearance			R Minimum Top Rail				S Minimum Top Rail Clearance		T Template Position for 100° door opening	U Closer Length	V Closer Height	
					W/O Drop Plate		W/8146 Drop Plate							
		NHO	Low Profile	HO	NHO	Low Profile	NHO	Low Profile	NHO	Low Profile				
8100	No Cover										7-1/8" (181)	12-3/4" (324)		
8300	Slim Line Plastic									3-1/2" (89)	3-3/8" (86)	7" (178)	13" (330)	2-7/8" (73)
8500	Full Plastic	1-1/2" (38)	1" (25)	1-5/8" (41)	2-1/2" (64)	2-3/8" (60)	1-5/8" (41)	1-1/2" (38)						
8500M	Metal								4-1/4" (108)	4-1/8" (105)	6-3/4" (171)	13-5/8" (346)	3-3/4" (95)	
8500A	Arch. Plastic								3-5/8" (92)	3-1/2" (89)	6-1/2" (165)	14" (356)	3-1/8" (79)	
8500MA	Arch. Metal								3-1/2" (89)	3-3/8" (86)			3" (76)	

Door Widths Inches (cm)		Model Number			
		Sized Closers		Multi-Sized Closer	
Interior	Exterior	Non-Hold Open	Hold Open	Non-Hold Open	Hold Open
30" (76)	—	8302, 8502	8302H, 8502H	8301 8501	8301H 8501H
36" (91)	30" (76)	8303, 8503	8303H, 8503H		
48" (122)	36" (91)	8304, 8504	8304H, 8504H		
—	48" (122)	8305, 8505	8305H, 8505H		
Unusual		8306, 8506	8306H, 8506H		

Note: 8301/8501 door closers are set at midpower range from the factory and can be adjusted for door sizes noted above.

\* Projection is for Slim Line or Full Covers. Projection for Metal Covers = 2-3/16" (56mm). Projection for Architectural Plastic & Architectural Metal Covers = 2-1/4" (57mm).

**TOP JAMB ARM**



Note: All measurements are inches/mm.

Closer Series	Cover s	M Minimum Frame Face			P Minimum Ceiling Clearance			S Minimum Top Rail Clearance 5/8" (16mm) Frame Stop									T Template Position for 100° door opening	U Closer Length	V Closer Height
		W/O Drop Plate	With 8146 Drop Plate	With 8148, 8158, 8547, 8547A Drop Plate	W/O Drop Plate	With 8146 Drop Plate	With 8148, 8158, 8547, 8547A Drop Plate	W/O Drop Plate			W/8146 Drop Plate			With 8148/8547 Drop Plate					
								NHO	Low Profile	HO	NHO	Low Profile	HO	NHO	Low Profile	HO			
8100	No Cover																7-1/8" (181)	12-3/4" (324)	
8300	Slim Line Plastic		1-1/8" (29)	1-1/2" (38)	2-3/4" (70)	1-5/8" (41)	1-1/2" (38)										7" (178)	13" (330)	2-7/8" (73)
8500	Full Plastic	1-3/4" (40)						2-1/4" (57)	N/A	2-1/2" (64)	3-3/8" (86)	2-3/4" (70)	3-5/8" (92)	4-3/8" (111)	3-3/4" (95)	4-5/8" (117)			
8500M	Metal			1-5/8" (41)	3-3/4" (95)		1-5/8" (41)										6-3/4" (171)	13-5/8" (346)	3-3/4" (95)
8500A	Arch. Plastic		N/A	1-1/2" (38)	3" (76)	N/A	1-1/2" (38)										6-1/2" (165)	14" (356)	3-1/8" (79)
8500MA	Arch. Metal				2-7/8" (73)														3" (76)

**Reveal Information**

Door Widths Inches (cm)		Catalog Number - Sized Closers
Interior	Exterior	
30" (76)	—	J8302, J8502
36" (91)	30" (76)	J8303, J8503
48" (122)	36" (91)	J8304, J8504
—	48" (122)	J8305, J8505
Unusual		J8306, J8506

Sized Closers	Reveal Range Inches (mm)	Maximum Door Opening	
		NHO	Hold Open
J8000	2-3/4" (70) to 7" (178)	150°	
J8000H	2-3/4" (70) to 6-3/4" (171)		150°
Multi-Sized Closers			
J8301, J8501	2-3/4" (70) to 4-1/4" (108)	180°	
J8301, J8501	4-1/4" (108) to 7" (178)	150°	
J8301H, J8501H	2-1/8" (54) to 4-1/4" (108)		180°
J8301H, J8501H	4-1/4" (108) to 6-3/4" (171)		150°

**Reveal Information (regular arm installed top jamb)**

Sized Closers	Reveal Range Inches (mm)	Maximum Door Opening	
		NHO	Hold Open
8000	0 to 2-7/8" (73)	180°	
8080 w/Drop Plate**	0 to 2-3/4" (70)	180°	
8000H	0 to 2-3/4" (70)		180°
Multi-Sized Closers			
8301, 8501	0 to 2-7/8" (73)	180°	
8301, 8501 w/Drop Plate	0 to 2-3/4" (70)	180°	
8301H, 8501H	0 to 2-3/4" (70)		180°

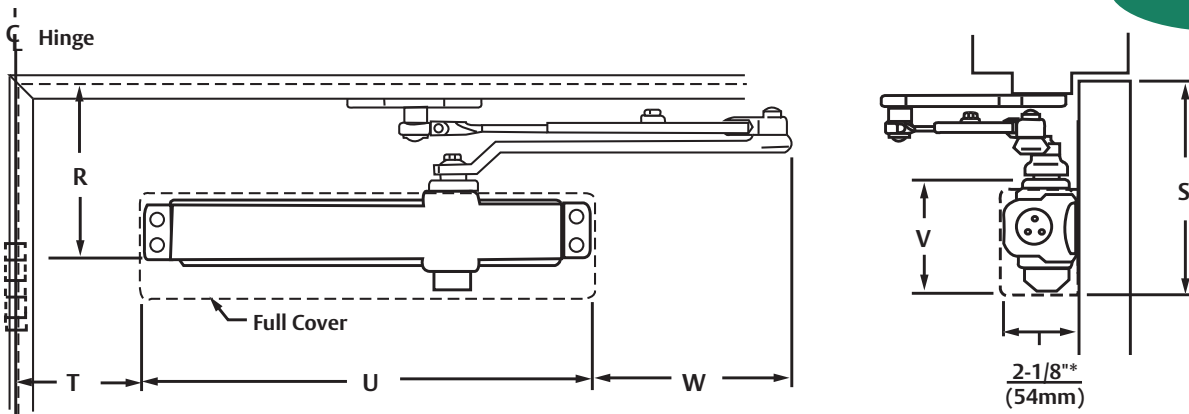
Reference Note on page 13 for information regarding multi-sized closers.  
\* Projection is for Slim Line or Full Covers. Projection for Metal Covers = 2-3/16" (56mm).  
Projection for Architectural Plastic & Architectural Metal Covers = 2-1/4" (57mm).

Note: Reveal range information is based upon 1-3/4" (44mm) doors hung on 4-1/2" wide hinges.  
\*\* Drop Plate 8146, 8148, 8158, 8547 or 8547A



# 8000 Series Door Closers

**PARALLEL ARM**



Mounting holes for closer body are spaced 3/4" (19mm) vertically x 12" (305mm) horizontally.  
 Note: All measurements are inches/mm.  
 Maximum 180° door swing, conditions permitting.

Closer Series	Covers	R Minimum Top Rail						S Minimum Top Rail Clearance			T Template Position for 120° door opening	U Closer Length	V Closer Height	W Arm Extension
		W/O Drop Plate			With 8148, 8158, 8548, 8548A Drop Plate			NHO	Low Profile	HO				
		NHO	Low Profile	HO	NHO	Low Profile	HO							
8100	No Cover									3-3/8" (86)	12-3/4" (324)		8-1/8" (206)	
8300	Slim Line Plastic						6-1/4" (159)	5-5/8" (143)	6-1/4" (159)	3-1/4" (83)	13" (330)	2-7/8" (73)	8" (203)	
8500	Full Plastic	5-1/4" (133)	4-5/8" (117)	5-1/4" (133)	3" (76)	2-3/8" (60)	3" (76)							
8500M	Metal						6-7/8" (175)	6-1/4" (159)	6-7/8" (175)	3" (76)	13-5/8" (346)	3-3/4" (95)		
8500A	Arch. Plastic						6" (152)	5-3/8" (137)	6" (152)	2-3/4" (70)	14" (356)	3-1/8" (79)	7-5/8" (194)	
8500MA	Arch. Metal						5-7/8" (149)	5-1/4" (133)	5-7/8" (149)			3" (76)		

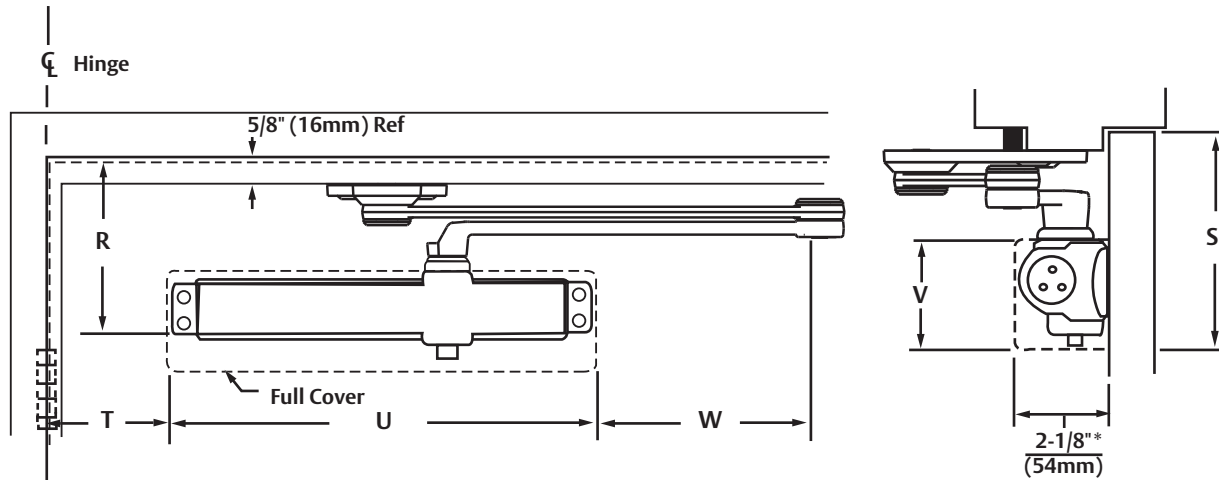
^Not available for doors that swing 180°

Door Widths Inches (cm)		Model Number			
		Sized Closers		Multi-Sized Closer	
Interior	Exterior	Non-Hold Open	Hold Open	Non-Hold Open	Hold Open
30" (76)	—	P8302, P8502	P8302H, P8502H	8301 8501	8301H 8501H
36" (91)	30" (76)	P8303, P8503	P8303H, P8503H		
42" (107)	36" (91)	P8304, P8504	P8304H, P8504H		
48" (122)	48" (122)	P8305, P8505	P8305H, P8505H		
—	48" (122)	P8306, P8506	P8306H, P8506H		

Note: 8301/8501 door closers are set at midpower range from the factory and can be adjusted for door sizes noted above.  
 \* Projection is for Slim Line or Full Covers. Projection for Metal Covers = 2-3/16" (56mm). Projection for Architectural Plastic & Architectural Metal Covers = 2-1/4" (57mm).

**8000 - 15**

**PARALLEL RIGID ARM**



Mounting holes for closer body are spaced 3/4" (19mm) vertically x 12" (305mm) horizontally.

Note: All measurements are inches/mm.

Maximum 180° door swing, conditions permitting.

Closer Series	Covers	R		S Minimum Top Rail Clearance	T Template Position for Listed Angle							U Closer Length	V Closer Height	W Arm Extension											
		Minimum Top Rail	With Drop Plate																						
		W/O Drop Plate			85°	90°	95°	100°	105°	110°	to 180°														
8100	No Cover	4-5/8" (117)	2-3/8" (60)	5-7/8" (149)	5"	4-1/8" (105)	3-1/2" (89)	2-3/4" (70)	2-1/4" (57)	1-5/8" (41)	3-1/8" (79)	12-3/4" (324)	2-7/8" (73)	8" (203)											
8300	Slim Line Plastic				5"	4-1/8" (105)	3-1/2" (89)	2-3/4" (70)	2-1/4" (57)	1-5/8" (41)	3-1/8" (79)	13" (330)													
8500	Full Plastic			6-1/2" (165)	4-3/4" (121)	3-7/8" (98)	3-1/4" (83)	2-1/2" (64)	2" (51)	1-3/8" (35)	2-7/8" (73)	13-5/8" (346)	3-7/8" (98)	7-5/8" (194)											
8500M	Metal														6"	4-5/8" (117)	3-3/4" (95)	3-1/8" (79)	2-3/8" (60)	1-7/8" (48)	1-1/4" (32)	2-3/4" (70)	14" (356)	3-1/8" (79)	7-1/2" (191)
8500A	Arch. Plastic														5-7/8" (149)	3-3/4" (95)	3-1/8" (79)	2-3/8" (60)	1-7/8" (48)	1-1/4" (32)	2-3/4" (70)	14" (356)	3" (76)	7-1/2" (191)	
8500MA	Arch. Metal														5-7/8" (149)	3-3/4" (95)	3-1/8" (79)	2-3/8" (60)	1-7/8" (48)	1-1/4" (32)	2-3/4" (70)	14" (356)	3" (76)	7-1/2" (191)	

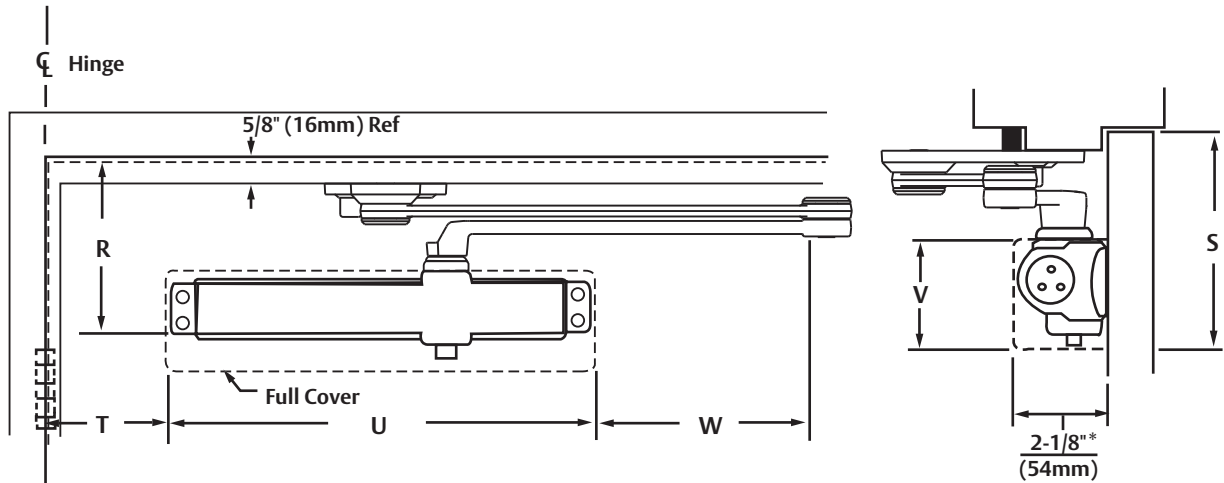
^Not available for doors that swing 180°

Door Size (Wood or Metal) Inches (cm)		Model Number			
		Sized Closers		Multi-Sized Closers	
Interior	Exterior	Stop Only	Hold Open	Stop Only	Hold Open
28" (71) - 32" (81)	—	PR8302, PR8502	PR8302H, PR8502H	PR8301 PR8501	PR8301H PR8501H
33" (84) - 36" (91)	28" (71) - 32" (81)	PR8303, PR8503	PR8303H, PR8503H		
37" (94) - 41" (104)	33" (84) - 36" (91)	PR8304, PR8504	PR8304H, PR8504H		
42" (107) - 48" (122)	37" (94) - 41" (104)	PR8305, PR8505	PR8305H, PR8505H		
—	42" (107) - 48" (122)	PR8306, PR8506	PR8306H, PR8506H		

Note: 8301/8501 door closers are set at midpower range from the factory and can be adjusted for door sizes noted above.

\* Projection is for Slim Line or Full Covers. Projection for Metal Covers = 2-3/16" (56mm). Projection for Architectural Plastic & Architectural Metal Covers = 2-1/4" (57mm).

# 8000 Series Door Closers



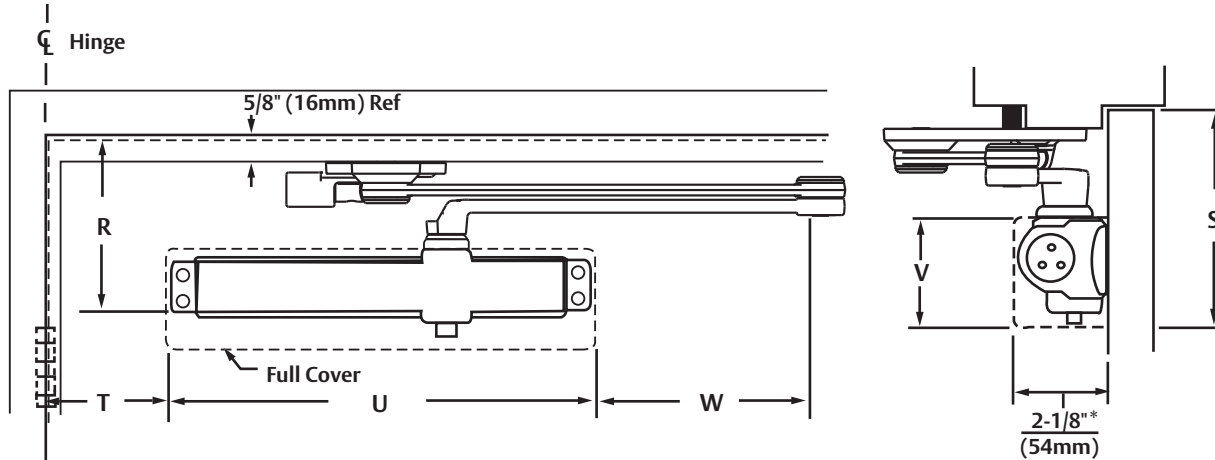
Mounting holes for closer body are spaced 3/4" (19mm) vertically x 12" (305mm) horizontally.  
Note: All measurements are inches/mm.

Closer Series	Covers	R		S Minimum Top Rail Clearance	T Template Position for Listed Angle						U Closer Length	V Closer Height	W Arm Extension
		W/O Drop Plate	With Drop Plate		85°	90°	95°	100°	105°	110°			
		8100	No Cover										
8300	Slim Line Plastic			5-7/8" (149)	5" (149)	4-1/8" (105)	3-1/2" (89)	2-3/4" (70)	2-1/4" (57)	1-5/8" (41)	13" (330)	2-7/8" (73)	8" (203)
8500	Full Plastic	4-5/8" (117)	2-3/8" (60)										
8500M	Metal			6-1/2" (165)	4-3/4" (121)	3-7/8" (98)	3-1/4" (83)	2-1/2" (64)	2" (51)	1-3/8" (35)	13-5/8" (346)	3-7/8" (98)	7-5/8" (194)
8500A	Arch. Plastic			6" (152)	4-5/8" (117)	3-3/4" (95)	3-1/8" (79)	2-3/8" (60)	1-7/8" (48)	1-1/4" (32)	14" (356)	3-1/8" (79)	7-1/2" (191)
8500MA	Arch. Metal			5-7/8" (149)									3" (76)

Door Size (Wood or Metal) Inches (cm)		Model Number			
		Sized Closers		Multi-Sized Closers	
Interior	Exterior	Stop Only	Hold Open	Stop Only	Hold Open
28" (71) - 32" (81)	—	CLP8302, CLP8502	CLP8302T, CLP8502T	CLP8301 CLP8501	CLP8301T CLP8501T
33" (84) - 36" (91)	28" (71) - 32" (81)	CLP8303, CLP8503	CLP8303T, CLP8503T		
37" (94) - 41" (104)	33" (84) - 36" (91)	CLP8304, CLP8504	CLP8304T, CLP8504T		
42" (107) - 48" (122)	37" (94) - 41" (104)	CLP8305, CLP8505	CLP8305T, CLP8505T		
—	42" (107) - 48" (122)	CLP8306, CLP8506	CLP8306T, CLP8506T		

Note: 8301/8501 door closers are set at midpower range from the factory and can be adjusted for door sizes noted above.  
\* Projection is for Slim Line or Full Covers. Projection for Metal Covers = 2-3/16" (56mm). Projection for Architectural Plastic & Architectural Metal Covers = 2-1/4" (57mm).

**CLOSERPLUS  
SPRING™ ARM**



Mounting holes for closer body are spaced 3/4" (19mm) vertically x 12" (305mm) horizontally.  
 Note: All measurements are inches/mm.

Closer Series	Covers	R		S	T						U	V	W	
		Minimum Top Rail			Template Position for Listed Angle									
		W/O Drop Plate	With Drop Plate		85°	90°	95°	100°	105°	110°				
8100	No Cover	4-5/8" (117)	2-3/8" (60)	5-7/8" (149)	5"	4-1/8 (105)	3-1/2" (89)	2-3/4" (70)	2-1/4" (57)	1-5/8" (41)	12-3/4" (324)	2-7/8" (73)	8" (203)	
8300	Slim Line Plastic				(149)									13" (330)
8500	Full Plastic													
8500M	Metal			6-1/2" (165)	4-3/4" (121)	3-7/8" (98)	3-1/4" (83)	2-1/2" (64)	2" (51)	1-3/8" (35)	13-5/8" (346)	3-7/8" (98)	7-5/8" (194)	
8500A	Arch. Plastic			6" (152)	4-5/8" (117)	3-3/4" (95)	3-1/8" (79)	2-3/8" (60)	1-7/8" (48)	1-1/4" (32)	14" (356)	3-1/8" (79)	7-1/2" (191)	
8500MA	Arch. Metal			5-7/8" (149)								3" (76)		

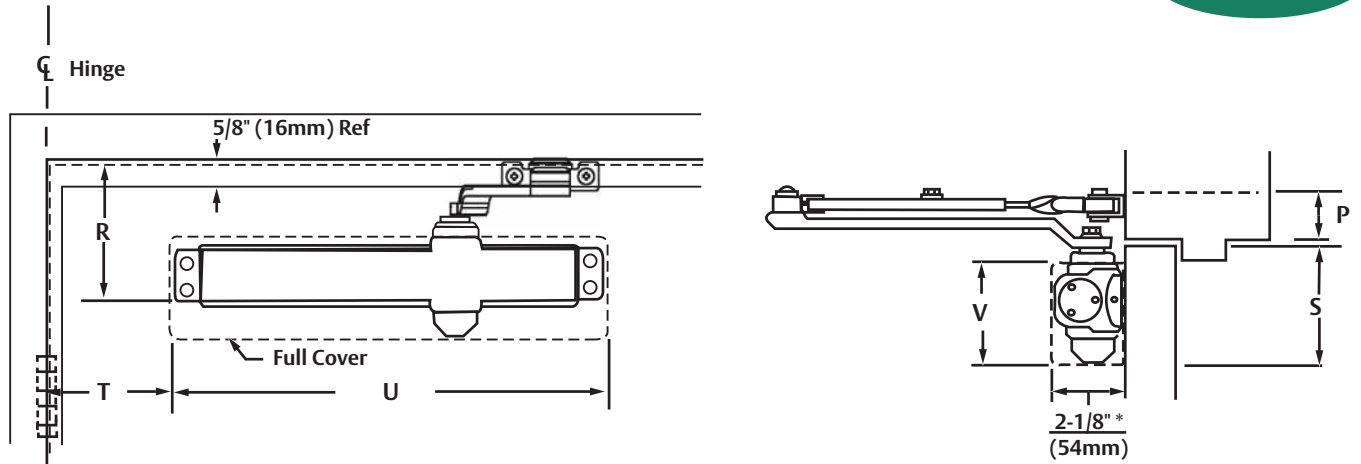
Door Size (Wood or Metal) Inches (cm)		Model Number			
Interior	Exterior	Sized Closers		Multi-Sized Closers	
		Stop Only	Hold Open	Stop Only	Hold Open
28" (71) - 32" (81)	—	CPS8302, CPS8502	CPS8302T, CPS8502T	CPS8301 CPS8501	CPS8301T CPS8501T
33" (84) - 36" (91)	28" (71) - 32" (81)	CPS8303, CPS8503	CPS8303T, CPS8503T		
37" (94) - 41" (104)	33" (84) - 36" (91)	CPS8304, CPS8504	CPS8304T, CPS8504T		
42" (107) - 48" (122)	37" (94) - 41" (104)	CPS8305, CPS8505	CPS8305T, CPS8505T		
—	42" (107) - 48" (122)	CPS8306, CPS8506	CPS8306T, CPS8506T		

Note: 8301/8501 door closers are set at midpower range from the factory and can be adjusted for door sizes noted above.  
 \* Projection is for Slim Line or Full Covers. Projection for Metal Covers = 2-3/16" (56mm). Projection for Architectural Plastic & Architectural Metal Covers = 2-1/4" (57mm).

# 8000 Series Door Closers



REGULAR RIGID  
HEAVY-DUTY ARM



Mounting holes for closer body are spaced 3/4" (19mm) vertically x 12" (305mm) horizontally.  
 Note: All measurements are inches/mm.  
 Maximum 180° door swing, conditions permitting.

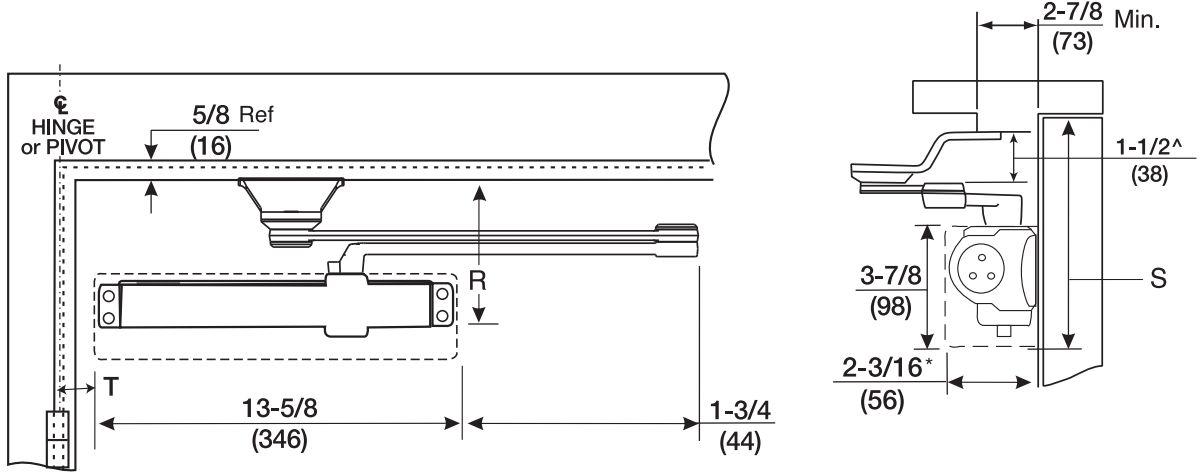
Door Opening	T Inches (mm)
to 100°	6-3/8" (182)
100° to 120°	5-3/8" (137)
121° to 150°	3-3/8" (86)
151° to 180°	3-1/8" (79)

Closer Series	Covers	P Minimum Ceiling Clearance	R Minimum Top Rail		S Minimum Top Rail Clearance	T Template Position for 100 Door opening	U Closer Length	V Closer Height	
			W/O Drop Plate	W/8146 Drop Plate					
8100	No Cover	1-3/4" (44)	2-1/2" (64)	1-5/8" (41)	7-1/8" (181)	12-3/4" (324)	2-7/8" (73)		
8300	Slim Line Plastic					3-1/2" (89)		7" (178)	13" (330)
8500	Full Plastic					4-1/4" (108)		6-3/4" (171)	13-5/8" (346)
8500M	Metal					3-5/8 (92)		6-1/2" (165)	3-3/4" (95)
8500A	Arch. Plastic					3-1/2" (89)			3-1/8" (79)
8500MA	Arch. Metal								3" (76)

Door Size (Wood or Metal) Inches (cm)		Model Number	
		Non-Hold Open Only	
Interior	Exterior	Sized Closers	Multi-Sized Closers
36" (91)	30" (76)	R8302, R8502	R8301 R8501
42" (107)	36" (91)	R8303, R8503	
46" (122)	42" (107)	R8304, R8504	
54" (137)	48" (12)	R8305, R8505	
—	52" (132)	R8306, R8506	

Note: 8301/8501 series door closers are set at midpower range from the factory and can be adjusted for door sizes noted above.  
 \* Projection is for Slim Line or Full Covers. Projection for Metal Covers = 2-3/16" (56mm). Projection for Architectural Plastic & Architectural Metal Covers = 2-1/4" (57mm).

**PARALLEL RIGID  
OFFSET ARM**



Mounting holes for closer body are spaced 3/4" (19mm) vertically x 12" (305mm) horizontally.  
 ^ If clearance greater than 1-1/2" is needed, 6891 spacer block is required.

R (inches/mm) Minimum Top Rail of Door with 5/8" (16mm) Frame Stop		S Minimum Top Rail of Door		T (inches/mm) Template Position Hold Open or Non-Hold Open		
Without 6891 Spacer	With 6891 Spacer	Without 6891 Spacer	With 6891 Spacer	0° to 100°	101° to 120°	121° to 180°
7-1/8" (181)	7-5/8" (194)	7-5/8" (194)	8-1/8" (206)	8-1/8" (206)	7-1/8" (181)	6-1/8" (156)

Maximum Door Width Inches (cm)		Model Number			
		Sized Closers		Multi-Sized Closers	
Interior	Exterior	Non-Hold Open	Hold Open <sup>+</sup>	Non-Hold Open	Hold Open <sup>+</sup>
30" (76)	—	PRO8302 PRO8502	PRO8302H PRO8502H	PRO8301 PRO8501	PRO8301H PRO8501H
36" (91)	32" (81)	PRO8303 PRO8503	PRO8303H PRO8503H		
42" (107)	36" (91)	PRO8304 PRO8504	PRO8304H PRO8504H		
48" (122)	42" (107)	PRO8305 PRO8505	PRO8305H PRO8505H		
—	48" (122)	PRO8306 PRO8506	PRO8306H PRO8506H		

Note: 8301/8501 series door closers are set at midpower range from the factory and can be adjusted for door sizes noted above.

\* Projection is for Slim Line or Full Covers. Projection for Metal Covers = 2-3/16" (56mm). Projection for Architectural Plastic & Architectural Metal Covers = 2-1/4" (57mm).

+ Specify hand when ordering.

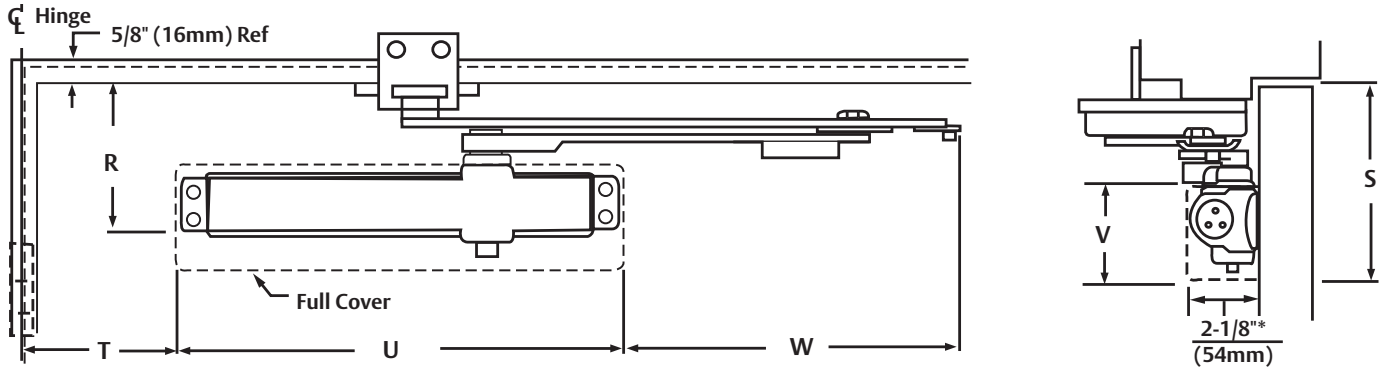


# 8000 Series Door Closers



**PARALLEL  
UNITROL® ARM**

Mounting holes for closer body are spaced 3/4" (19mm) vertically x 12" (305mm) horizontally.

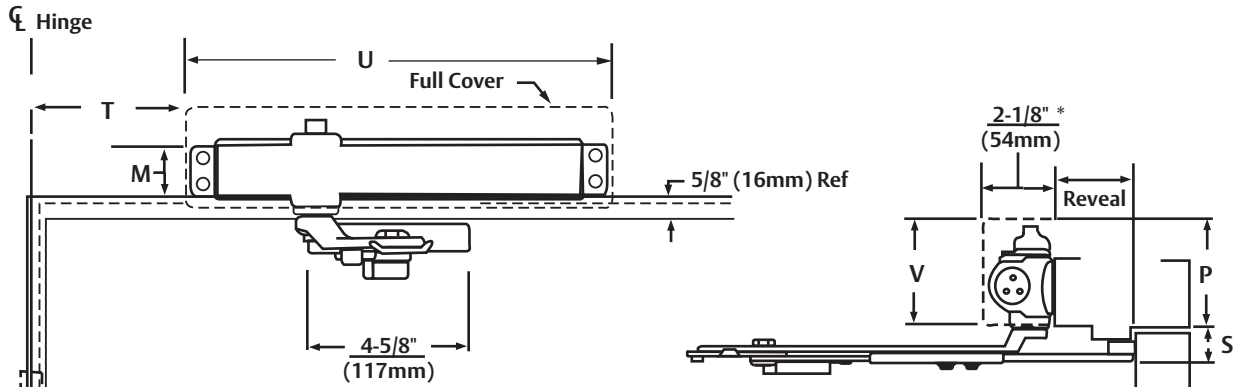


Closer Series	Door Width	Covers	R Minimum Top Rail		S Minimum	T- Template Position for Hold Open or Stop at Listed Angle						U Closer Length	V Closer Height	W Arm Extension									
			W/O Drop Plate	With Drop Plate		85	90	95	100	105	110												
8300	28-32	Slim Line	4-3/4" (121)	2-1/2" (64)	5-3/4" (146)	4-5/8" (117)	4" (102)	3-1/2" (89)	3-1/8" (79)	2-3/4" (70)	2-3/8" (60)	13" (330)	2-7/8" (73)	8-3/8" (213)									
	33-41					7" (178)	6-1/4" (159)	5-3/4" (146)	5-1/4" (133)	4-3/4" (121)	4-3/8" (111)			9-7/8" (251)									
	42-48					9-1/4" (235)	8-3/8" (213)	7-3/4" (197)	7-1/8" (181)	6-5/8" (168)	6-1/4" (159)			11-1/4" (286)									
8500	28-32	Full Plastic			4-3/4" (121)	2-1/2" (64)	5-3/4" (146)	4-5/8" (117)	4" (102)	3-1/2" (89)	3-1/8" (79)	2-3/4" (70)	2-3/8" (60)	13-5/8" (346)	3-7/8" (98)	8-3/8" (213)							
8500M		Metal						6-3/8" (162)	4-3/8" (111)	3-3/4" (95)	3-1/4" (83)	2-7/8" (73)	2-1/2" (64)			2-1/8" (54)	8" (203)						
8500A		Arch. Plastic						5-1/2" (140)	7-5/8" (194)	7" (178)	6-1/2" (165)	6-1/8" (156)	5-3/4" (146)			5-3/8" (137)	14" (356)	3-1/8" (79)	7-7/8" (200)				
8500MA		Arch. Metal					5-3/8" (137)	3" (76)	7-1/2" (191)														
8500		33-41					Full Plastic	4-3/4" (121)	2-1/2" (64)	5-3/4" (146)	7" (178)	6-1/4" (159)	5-3/4" (146)	5-1/4" (133)	4-3/4" (121)	4-3/8" (111)	13" (330)	2-7/8" (73)	9-7/8" (251)				
8500M							Metal				6-3/8" (162)	6-3/4" (171)	6" (152)	5-1/2" (140)	5" (127)	4-1/2" (114)			4-1/8" (105)	13-5/8" (346)	3-7/8" (98)	9-1/2" (241)	
8500A							Arch. Plastic				5-1/2" (140)	10" (254)	9-3/8" (238)	8-3/4" (222)	8-1/4" (210)	7-3/4" (197)			7-3/8" (187)	14" (356)	3-1/8" (79)	9-3/8" (238)	
8500MA							Arch. Metal			5-3/8" (137)	3" (76)	9" (229)											
8500							42-48			Full Plastic	4-3/4" (121)	2-1/2" (64)	5-3/4" (146)	9-1/4" (235)	8-3/8" (213)	7-3/4" (197)	7-1/8" (181)	6-5/8" (168)	6-1/4" (159)	13" (330)	2-7/8" (73)	11-1/4" (286)	
8500M			Metal	6-3/8" (162)						9" (229)				8-1/8" (206)	7-1/2" (191)	6-7/8" (175)	6-3/8" (162)	6" (152)	13-5/8" (346)			3-7/8" (98)	10-7/8" (276)
8500A			Arch. Plastic	5-1/2" (140)						12-1/4" (311)				11-1/2" (292)	10-7/8" (276)	10-1/4" (260)	9-3/4" (248)	9-1/4" (235)	14" (356)			3-1/8" (79)	10-3/4" (273)
8500MA			Arch. Metal	5-3/8" (137)						3" (76)			10-3/8" (264)										

Door Widths (Wood or Metal) Inches (cm)		Model Number		x Specify Door Width
Interior	Exterior	Sized Closers		
		Stop Only	Hold Open	
28" (71) - 32" (81)	—	UNI8302, UNI8502	UNI8302H, UNI8502H	
33" (83) - 36" (91)	28" (71) - 32" (81)	UNI8303, UNI8503	UNI8303H, UNI8503H	
37" (94) - 41" (104)	33" (83) - 36" (91)	UNI8304, UNI8504	UNI8304H, UNI8504H	
42" (107) - 48" (122)	37" (94) - 41" (104)	UNI8305, UNI8505	UNI8305H, UNI8505H	
—	42" (107) - 48" (122)	UNI8306, UNI8506	UNI8306H, UNI8506H	

Reference Note on page 13 for information regarding multi-sized closers.  
\* Projection is for Slim Line or Full Covers. Projection for Metal Covers = 2-3/16" (56mm). Projection for Architectural Plastic & Architectural Metal Covers = 2-1/4" (57mm).

**TOP JAMB  
UNITROL® ARM**



Mounting holes for closer body are spaced 3/4" (19mm) vertically x 12" (305mm) horizontally.  
Note: All measurements are inches/mm

Series	Closer	M Covers Frame Face		P Minimum Ceiling Clearance		S Minimum Top Rail Clearance		T Minimum Template Position for Hold Open or Stop at Listed Angle						U Closer Length	V Closer Height
		W/O Drop Plate	With 8148, 8158, 8547, 8547A Drop Plate	W/O Drop Plate	With Drop Plate	W/O Drop Plate	With 8148, 8158, 8547, 8547A Drop Plate	85°	90°	95°	100°	105°	110°		
8300	Slim Line		1-1/2" (38)	2-3/4" (70)	1-1/2" (38)			9-1/2" (241)	8-7/8" (225)	8-1/4" (210)	7-3/4" (197)	7-3/8" (187)	7" (178)	13" (330)	2-7/8" (73)
8500	Full														
8500M	Metal	1-3/4" (44)	1-5/8" (41)	3-3/4" (95)	1-5/8" (41)	1-7/8" (48)	3-3/4" (95)	9-1/4" (235)	8-5/8" (219)	8" (203)	7-1/2" (191)	7-1/8" (181)	6-3/4" (171)	13-5/8" (346)	3-7/8" (98)
8500A	Arch. Plastic		1-1/2" (38)	3" (76)	1-1/2" (38)			8-7/8" (225)	8-1/4" (210)	7-5/8" (194)	7-1/8" (181)	6-5/8" (168)	6-1/4" (159)	14" (356)	3-1/8" (79)
8500MA	Arch. Metal			2-7/8" (73)											

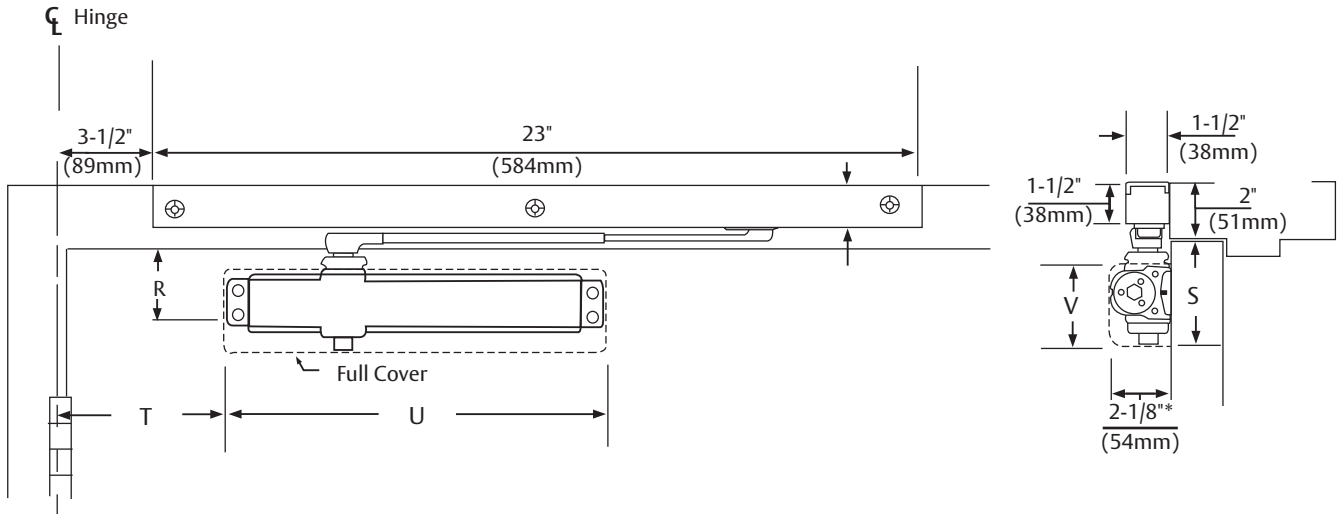
Door Widths (Wood or Metal) Inches (cm)		Model Number					
Interior	Exterior	Sized Closers		Multi-Sized Closers		x Specify Frame Reveal	
		Non-Hold Open	Hold Open	Non-Hold Open	Hold Open		
28" (71) - 30" (76)	—	UNIJ8302, UNIJ8502	UNIJ8302H, UNIJ8502H	UNIJ8301 UNIJ8501	UNIJ8301H UNIJ8501H		
31" (79) - 36" (91)	28" (71) - 30" (76)	UNIJ8303, UNIJ8503	UNIJ8303H, UNIJ8503H				
37" (94) - 42" (107)	31" (79) - 36" (91)	UNIJ8304, UNIJ8504	UNIJ8304H, UNIJ8504H				
43" (109) - 48" (122)	37" (94) - 42" (107)	UNIJ8305, UNIJ8505	UNIJ8305H, UNIJ8505H				
—	43" (109) - 48" (122)	UNIJ8306, UNIJ8506	UNIJ8306H, UNIJ8506H				

Note: 8301/8501 door closers are set at midpower range from the factory and can be adjusted for door sizes noted above.

\* Projection is for Slim Line or Full Covers. Projection for Metal Covers = 2-3/16" (56mm). Projection for Architectural Plastic & Architectural Metal Covers = 2-1/4" (57mm).

# 8000 Series Door Closers

**PULL SIDE  
SLIDE TRACK**



Mounting holes for closer body are spaced 3/4" (19mm) vertically x 12" (305mm) horizontally.  
 Note: All measurements are inches/mm

Closer Series	R Minimum Top Rail		S Minimum Top Rail Clearance				T Template Position				U Closer Length				V Closer Height			
	W/O Drop Plate	With 8146 Drop Plate	Slim or Full Cover	Metal Cover	Arch Plastic	Arch Metal	Slim or Full Cover	Metal Cover	Arch Plastic	Arch Metal	Slim or Full Cover	Metal Cover	Arch Plastic	Arch Metal	Slim or Full Cover	Metal Cover	Arch Plastic	Arch Metal
8300ST	2-1/2"	1-5/8"	3-1/2"	4-1/8"	3-5/8"	3-1/2"	5-1/8"	4-7/8"	4-3/8"	13"	13-5/8"	14"	2-7/8"	3-3/4"	3-1/8"	3"		
8500ST	(64)	(41)	(89)	(105)	(92)	(89)	(130)	(124)	(111)	(330)	(346)	(356)	(73)	(95)	(79)	(76)		

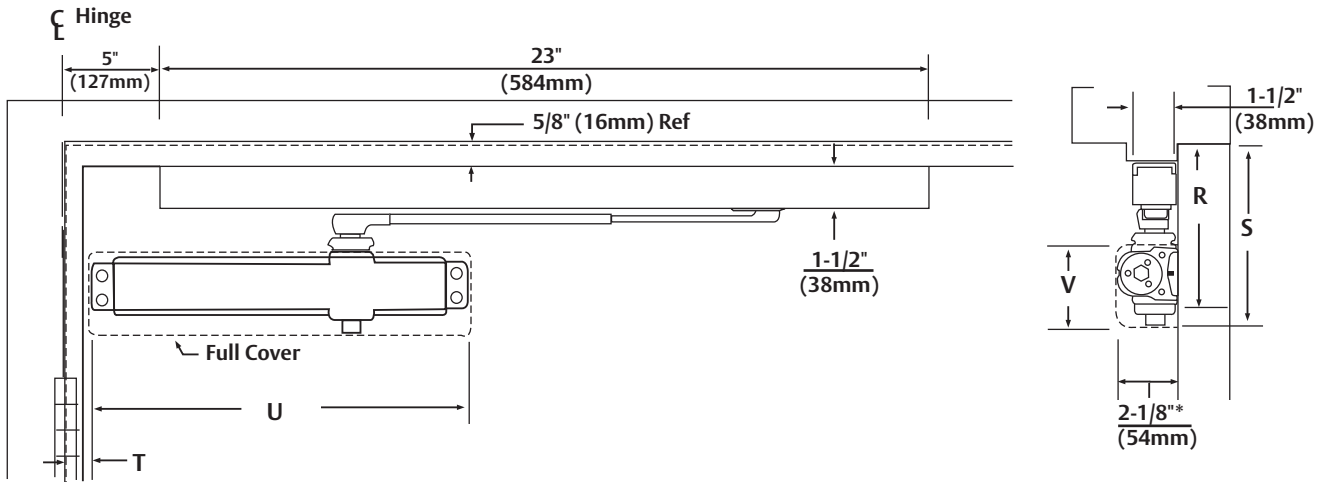
Maximum Door Width (Wood or Metal) Inches (cm)		Model Number												
		Slim Line Cover						Full Cover						
		Sized Closer			Multi-Sized Closer			Sized Closer			Multi-Sized Closer			
		Non-Hold Open		Hold Open	Non-Hold Open		Hold Open	Non-Hold Open		Hold Open	Non-Hold Open		Hold Open	Non-Hold Open
Interior	Exterior	85°-110°*	85°-180°^A	85°-110°^A	85°-110°	85°-180°	85°-110°	85°-110°*	85°-180°^A	85°-110°^A	85°-110°	85°-180°	85°-110°	
32" (81)	—	8304ST	8304ST-180	8304STH				8504ST	8504ST-180	8504STH				
38" (97)	32" (81)	8305ST	8305ST-180	8305STH	8301ST	8301ST-180	8301STH	8505ST	8505ST-180	8505STH	8501ST	8501ST-180	8501STH	
48" (122)	38" (97)	8306ST	8306ST-180	8306STH				8506ST	8506ST-180	8506STH				

Note: 8301/8501 door closers are set at midpower range from the factory and can be adjusted for door sizes noted above.

\* Projection is for Slim Line or Full Covers. Projection for Metal Covers = 2-3/16" (56mm). Projection for Architectural Plastic & Architectural Metal Covers = 2-1/4" (57mm).

- ◆ Track is furnished with a spring buffered stop. Additional stop, by others, is recommended where abusive conditions are anticipated.
- ^ Track is supplied without the spring buffered assembly. An auxiliary door stop, by others, is required.

**PUSH SIDE  
SLIDE TRACK**



Mounting holes for closer body are spaced 3/4" (19mm) vertically x 12" (305mm) horizontally.  
 Note: All measurements are inches/mm

Closer Series	R Minimum Top Rail		S Minimum Top Rail Clearance				T Template Position				U Closer Length				V Closer Height			
	W/O Drop Plate	With 8146, 8158, 8548, 8548A Drop Plate	Slim or Full Cover	Metal Cover	Arch Plastic	Arch Metal	Slim or Full Cover	Metal Cover	Arch Plastic	Arch Metal	Slim or Full Cover	Metal Cover	Arch Plastic	Arch Metal	Slim or Full Cover	Metal Cover	Arch Plastic	Arch Metal
PS8300ST	5"	2-3/4"	6"	6-5/8"	6-1/8"	6"	7/8"	5/8"	1/8"	13"	13-5/8"	14"	2-7/8"	3-3/4"	3-1/8"	3"		
PS8500ST	(127)	(70)	(152)	(168)	(156)	(152)	(22)	(16)	(3)	(330)	(346)	(356)	(73)	(95)	(79)	(76)		

Maximum Door Width (Wood or Metal) Inches (cm)		Sized Closers				Multi-Sized Closers			
		Slim Line Cover		Full Cover		Slim Line Cover		Full Cover	
		Non-Hold Open	Hold Open	Non-Hold Open	Hold Open	Non-Hold Open	Hold Open	Non-Hold Open	Hold Open
Interior	Exterior	85° - 100°							
32" (81)	—	PS8304ST	PS8304STH	PS8504ST	PS8504STH	PS8301ST	PS8301STH	PS8501ST	PS8501STH
38" (97)	32" (81)	PS8305ST	PS8305STH	PS8505ST	PS8505STH				
48" (122)	38" (97)	PS8306ST	PS8306STH	PS8506ST	PS8506STH				

All track assemblies are supplied with a spring buffered stop\*\*

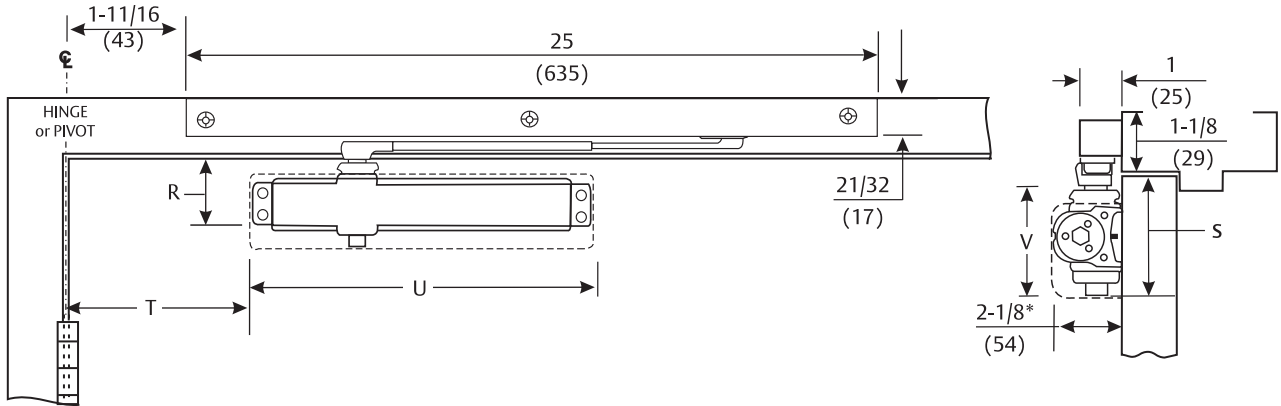
Note: 8301/8501 door closers are set at midpower range from the factory and can be adjusted for door sizes noted above.

\* Projection is for Slim Line or Full Covers. Projection for Metal Covers = 2-3/16" (56mm). Projection for Architectural Plastic & Architectural Metal Covers = 2-1/4" (57mm).

\*\* A separate door stop, by others, is recommended where abusive conditions are anticipated.

# 8000 Series Door Closers

LOW PROFILE PULL SIDE SLIDE TRACK



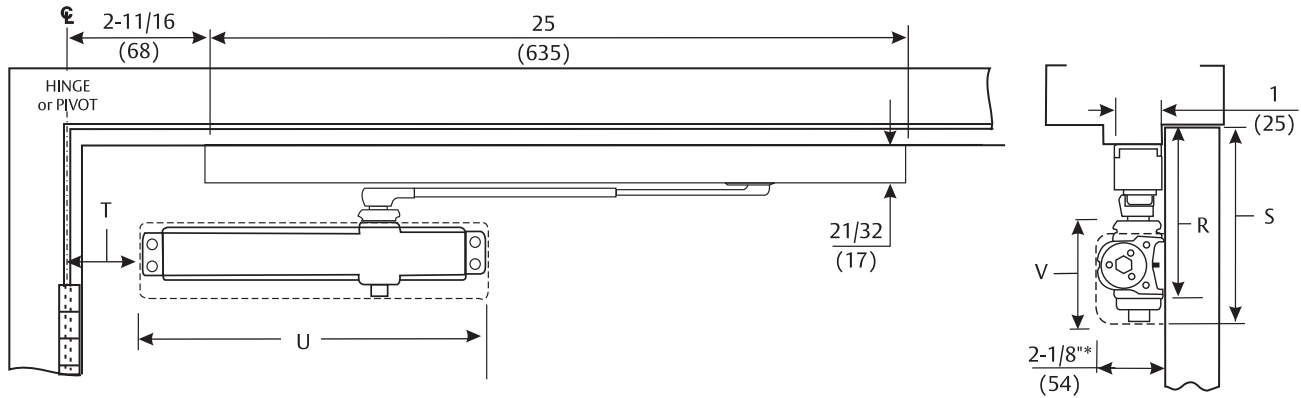
Mounting holes for closer body are spaced 3/4" (19mm) vertically x 12" (305mm) horizontally.

Closer Series	R Minimum Top Rail		S Minimum Top Rail Clearance				T Template Position				U Closer Length				V Closer Height			
	W/O Drop Plate	With 8146 Drop Plate	Slim or Full Cover	Metal Cover	Arch Plastic	Arch Metal	Slim or Full Cover	Metal Cover	Arch Plastic	Arch Metal	Slim or Full Cover	Metal Cover	Arch Plastic	Arch Metal	Slim or Full Cover	Metal Cover	Arch Plastic	Arch Metal
8300ST	2-1/2" (64)	5/8" (16)	3" (76)	4-5/8" (117)	3-1/8" (79)	3" (76)	5-5/8" (143)	5-3/8" (137)	4-7/8" (124)	13" (330)	13-5/8" (346)	14" (356)	3" (76)	3-7/8" (98)	3-1/4" (83)	3-1/8" (79)		
8500ST																		

Maximum Door Width Inches (cm)	Model Number				
	Sized Closers		Multi-Sized Closers		
	Interior	Non-Hold Open	Hold Open	Non-Hold Open	Hold Open
32" (81)		8344ST 8544ST	8344STH 8544STH	8341ST 8541ST	8341STH 8541STH
38" (97)		8345ST 8545ST	8345STH 8545STH		
48" (122)		8346ST 8546ST	8346STH 8546STH		

**Note:** 8301/8501 door closers can be adjusted for door sizes noted. Multi-size closers are set at mid power range from the factory.  
 \*Projection is for Slim Line or Full Covers. Projection for Metal Covers = 2-3/16" (56mm). Projection for Architectural Plastic & Architectural Metal Covers = 2-1/4" (57mm).

LOW PROFILE PUSH SIDE SLIDE TRACK



Mounting holes for closer body are spaced 3/4" (19mm) vertically x12" (305mm) horizontally.

Closer Series	R Minimum Top Rail		S Minimum Top Rail Clearance				T Template Position				U Closer Length				V Closer Height			
	W/O Drop Plate	With 8146, 8158, 8548, 8548A Drop Plate	Slim or Full Cover	Metal Cover	Arch Plastic	Arch Metal	Slim or Full Cover	Metal Cover	Arch Plastic	Arch Metal	Slim or Full Cover	Metal Cover	Arch Plastic	Arch Metal	Slim or Full Cover	Metal Cover	Arch Plastic	Arch Metal
PS8300ST	4"	1-3/4"	5"	5-5/8"	5-1/8"	5"	1-1/8"	7-8"	3/8"	13"	13-5/8"	14"	3"	3-7/8"	3-1/4"	3-1/8"		
PS8500ST	(102)	(44)	(127)	(143)	(130)	(127)	(29)	(22)	(10)	(330)	(346)	(356)	(76)	(98)	(83)	(79)		

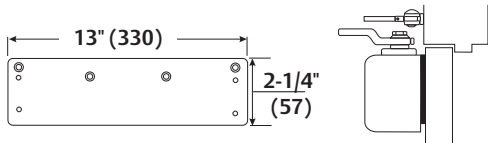
Maximum Door Width Inches (cm)	Model Number			
	Sized Closers		Multi-Sized Closers	
Interior	Non-Hold Open	Hold Open	Non-Hold Open	Hold Open
32" (81)	PS8344ST PS8544ST	PS8344STH PS8544STH	PS8341ST PS8541ST	PS8341STH PS8541STH
38" (97)	PS8345ST PS8545ST	PS8345STH PS8545STH		
48" (122)	PS8346ST PS8546ST	PS8346STH PS8546STH		

**Note:** 8301/8501 door closers can be adjusted for door sizes noted. Multi-size closers are set at mid power range from the factory.

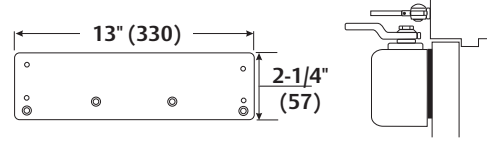
\*Projection is for Slim Line or Full Covers. Projection for Metal Covers = 2-3/16" (56mm). Projection for Architectural Plastic & Architectural Metal Covers = 2-1/4" (57mm).



## Closer Mounting Plates Slim Line Installations

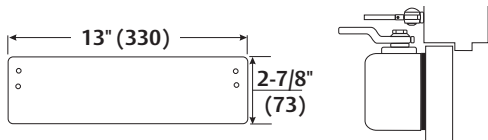


**Narrow Top Rail - #8146 Drop Plate:** For use where the narrow top rail of the door prevents the closer from being mounted directly on to the door surface. This drop plate must be used for any Series 8000 closer mounted on a top rail between 1-9/16" and 2-7/16" (40 and 62mm) in height, or any Series 8080 closer mounted on a top rail between 1-7/16" and 2-5/16" (36 and 59mm) in height.

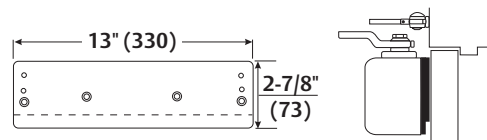


**Concealed Door Holder - #8146 Drop Plate:** For use where a concealed door holder prevents normal mounting of the closer to the door. This is the same plate used for narrow rail mounting, but is inverted for this application to permit the mounting screws to clear the bottom of the door-holder preparation in the top rail of the door. This places the centerline of the plate's upper mounting screws at 2-3/16" (56mm) from the top of the door.

## Full Cover Installations

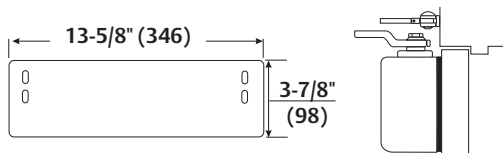


**Exposed Back - #8445 Molded Full Cover Decorative Back Plate:** For use on doors with glass lights where a closer with a molded full cover is installed and the closer back is exposed. This plate covers the back of the installation to give a pleasing appearance from the reverse side.

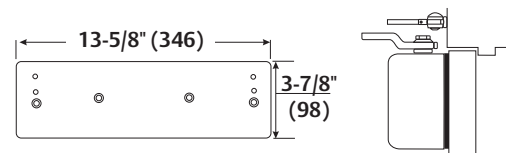


**Exposed Back/Narrow Top Rail - Exposed Back Concealed Door Holder - #8446 Molded Full Cover Drop Plate Kit:** For use with molded full cover installation when an 8146 Plate is needed as a drop plate on a narrow top rail, or as a clearance plate for a concealed door holder, and the closer back is exposed. Kit contains an 8146 Drop Plate and an 8445 Decorative Plate.

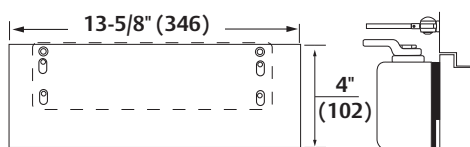
## Metal Cover Installations



**Exposed Back - #8545 Metal Cover Decorative Back Plate:** For use on doors with glass lights where a closer with a metal full cover is installed and the closer back is exposed. This plate covers the back of the installation to give a pleasing appearance from the reverse side.



**Concealed Door Holder - #8546 Metal Cover Drop Plate:** For use where a concealed door holder prevents the normal mounting of the closer to the door. This plate permits the mounting screws to clear the bottom of the door-holder preparation in the top rail of the door. This places the centerline of the plate's upper mounting screws at 2-3/16" (56mm) from the top of the door.

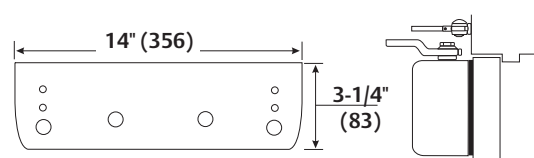
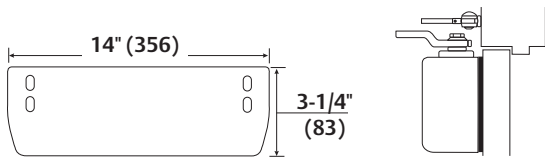


**Exposed Back/Narrow Top Rail - #8549 Metal Cover Drop Plate Kit:** For use with metal full cover installations, when an 8146 Plate is needed as a drop plate on a narrow top rail and the closer back is exposed. Kit contains an 8146 Drop Plate and an 8545 Decorative Plate.

Note: All measurements are inches/mm

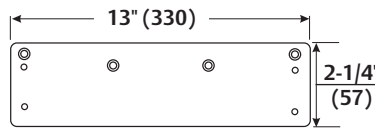
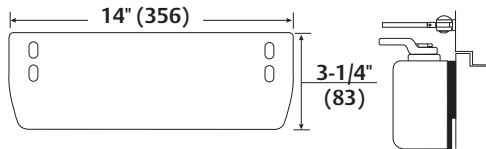
REGULAR  
ARM

**Closer Mounting Plates**  
**Architectural Plastic or Metal Cover Installations**



**Exposed Back - #8545A Architectural Plastic or Architectural Metal Cover Decorative Back Plate:** For use on doors with glass lights where a closer with an architectural plastic or metal cover is installed and the closer back is exposed. This plate covers the back of the installation to give a pleasing appearance from the reverse side.

**Concealed Door Holder - #8546A Architectural Plastic or Architectural Metal Cover Drop Plate:** For use where a concealed door holder prevents the normal mounting of the closer to the door. This plate permits the mounting screws to clear the bottom of door-holder preparation in the top rail of the door. This places the centerline of the plate's upper mounting screws at 2-3/16" (56mm) from the top of the door.

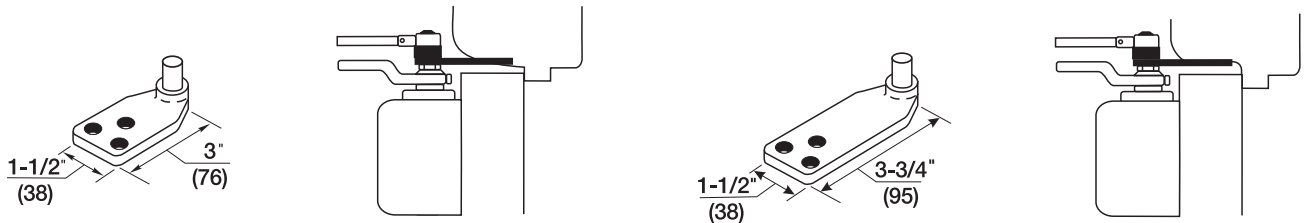


**Exposed Back/Narrow Top Rail - #8549A Architectural Plastic or Architectural Metal Cover Drop Plate Kit:** For use with architectural plastic or metal cover installations when an 8146 plate is needed as a drop plate on a narrow top rail and the closer back is exposed. Kit contains an 8146 Drop Plate and an 8545A Decorative Plate.

Note: All measurements are inches/mm.

**REGULAR  
ARM**

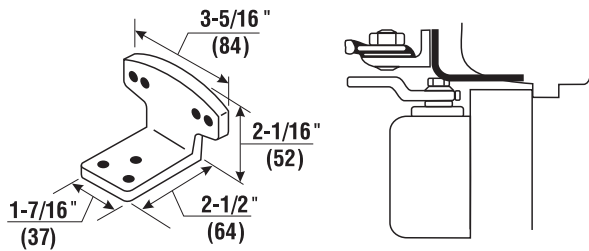
**Brackets for Non-Hold Open Arms**



**Molded/Bull Nose Trim - #2403 Bracket:** For use where the door frame has molded or bull nose trim which will not accept a standard non-hold open shoe. The bracket is mortised into the frame rabbet, and projects beyond the face of the frame. It will accommodate a frame rabbet up to 2" (51 mm) deep.

**Molded / Bull Nose Trim - #2403-3/4 Bracket:** This bracket is similar to, but longer than, the 2403 bracket. It is designed to accommodate frame rabbets from 2" to 2-7/8" (51 to 73mm) deep.

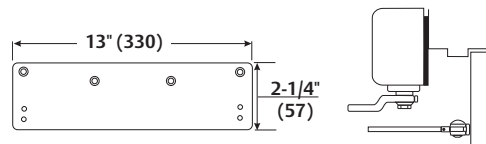
**Brackets for Hold Open Arms**



**Molded / Bull Nose Trim - #80 Bracket:** For use where the door frame has molded or bull nose trim which will not accept a standard hold open shoe. It is mortised into the frame rabbet, and projects beyond the face of the frame. It will accommodate a rabbet up to 2" (51 mm) deep. This bracket is used in combination with the standard hold-open mounting shoe.

**TOP JAMB  
ARM**

**Closer Mounting Plates  
Slim Line Installations**



**Low Ceiling Clearance - #8146 Drop Plate:** For use where low ceiling clearance prevents normal top jamb mounting. This plate is used when clearance is from 1-7/8" to 2-7/8" (48 to 73mm). Where ceiling clearance is less than 1-7/8" (48mm) see #8148 Drop Plate detailed in the following text.

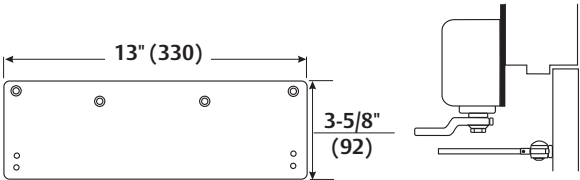
**Overhead Door Holder - #8146 Drop Plate:** For use where a surface or concealed overhead door holder prevents normal top jamb mounting. This plate drops the closer and allows arm mounting screws to clear the bottom of the door holder. This places the centerline of the arm mounting screws at 2-7/8" (73mm) from the top of the door.

Note: All measurements are inches/mm.

**8000 - 29**

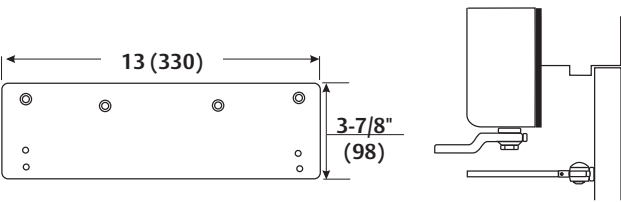
TOP JAMB  
ARM

**Closer Mounting Plates  
Slim Line Installations**



**Low Ceiling Clearance - #8148 Drop Plate:** For use where the ceiling clearance is between 1-1/2" and 1-3/4" (38 and 44mm).

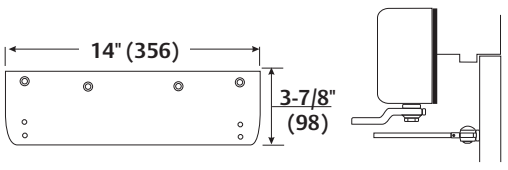
**Metal Cover Installations**



**Low Ceiling Clearance - Overhead Door Holder - #8547 Metal Full Cover Drop Plate:** For use where a low ceiling clearance prevents normal top jamb mounting. This plate is used when the clearance is between 1-5/8" and 3-7/8" (41 and 98mm). Or for use where a surface or concealed overhead door holder prevents normal top jamb mounting of

a closer with a metal full cover. This plate drops the closer and allows arm mounting screws to clear the bottom of the door holder. This places the centerline of the arm mounting screws at 3-7/8" (98mm) from the top of the door.

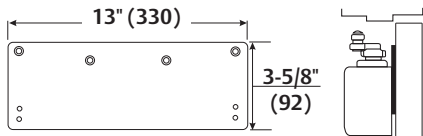
**Architectural Plastic or Metal Cover Installations**



**Low Ceiling Clearance - Overhead Door Holder - #8547A Architectural Plastic or Architectural Metal Cover Drop Plate:** For use where low ceiling clearance prevents normal top jamb mounting. This plate is used when the clearance is between 1-5/8" and 3-7/8" (41 and 98mm). Also for use where a surface or concealed overhead door holder prevents normal top jamb mounting of a closer with an

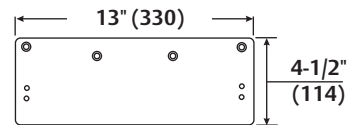
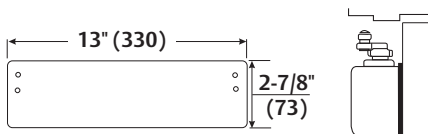
architectural plastic or metal full cover. This plate drops the closer and allows arm mounting screws to clear the bottom of the door holder. This places the centerline of the arm mounting screws at 3-7/8" (98mm) from the top of the door.

## Closer Mounting Plates Slim Line Installations



**Narrow Top Rail - #8148 Drop Plate:** For use where a narrow top rail prevents the closer from being mounted directly to the door surface. This drop plate can be used to mount a closer on a top rail as narrow as 2-7/8" (73mm) in height.

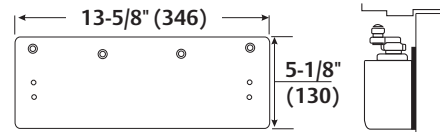
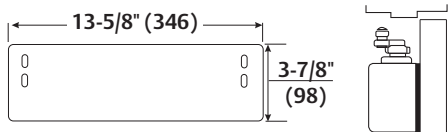
## Full Cover Installations



**Exposed Back - #8445 Molded Full Cover Decorative Back Plate:** For use on doors with glass lights where a closer with molded full cover is installed and the closer back is exposed. This plate covers the back of the installation to give a pleasing appearance from the reverse side.

**Exposed Back/Narrow Top Rail - #8158 Molded Full Cover Drop Plate:** For use on doors with glass lights where a closer with molded full cover is installed and the back of the closer is exposed. This covers the back of the installation and gives a pleasing appearance from the reverse side.

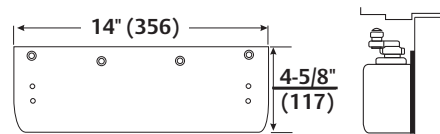
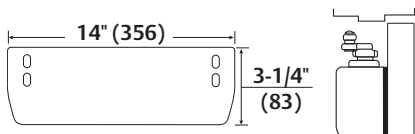
## Metal Cover Installations



**Exposed Back - #8545 Metal Full Cover Decorative Back Plate:** For use on doors with glass lights where a closer with full metal cover is installed and the back of the closer is exposed. This plate covers the back of the installation and gives a pleasing appearance from the reverse side.

**Exposed Back/Narrow Top Rail - #8548 Metal Full Cover Drop Plate:** For use on doors with glass lights where a closer with metal full cover is installed on a narrow top rail, and the back of the cover is exposed. This drop plate can be used to mount a closer on a top rail as narrow as 2-7/8" (73mm) in height. This plate covers the back of the installation and gives a pleasing appearance from the reverse side.

## Architectural Plastic or Metal Cover Installations



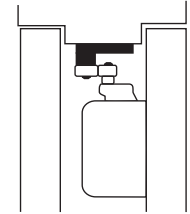
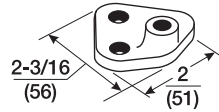
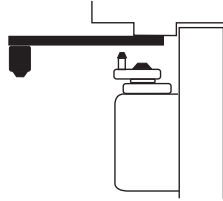
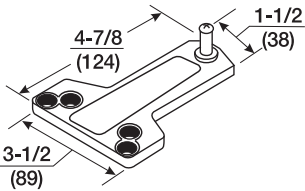
**Exposed Back - #8545A Architectural Plastic or Architectural Metal Cover Decorative Back Plate:** For use on doors with glass lights where a closer with an architectural plastic or metal cover is installed and the closer back is exposed. This plate covers the back of the installation to give a pleasing appearance from the reverse side.

**Exposed Back/Narrow Top Rail - #8548A Architectural Plastic or Architectural Metal Cover Drop Plate:** For use on doors with glass lights where a closer with an architectural plastic or metal cover is installed on a narrow top rail, and the back of the cover is exposed. This drop plate can be used to mount a closer on a top rail as narrow as 2-7/8" (73mm) in height. This plate covers the back of the installation to give a pleasing appearance from the reverse side.

Note: All measurements are inches/mm

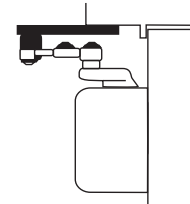
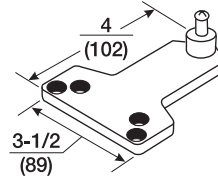
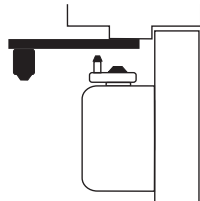
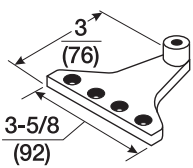
PARALLEL  
ARM

Brackets for Non-Hold Open Arms



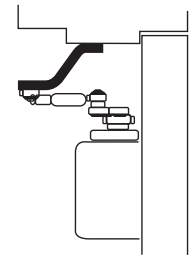
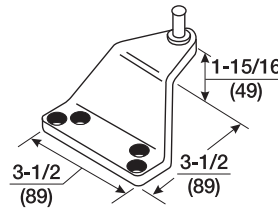
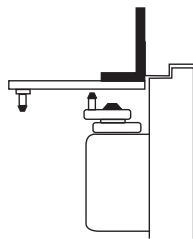
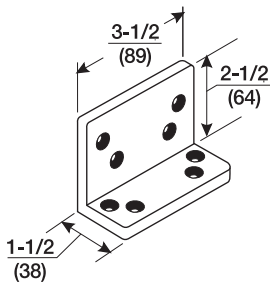
**Standard Installation - #1618A Soffit Plate:** This soffit plate is supplied standard with parallel arm closers. It can be mounted where the frame soffit is as narrow as 1" (25 mm).

**Mounting between Doors - #2018 Soffit Bracket:** For use where insufficient space between companion doors does not permit use of other soffit plates. This bracket permits mounting of the closer between doors with as little as 3" (76mm) of header space. Permits closer arm to clear up to 5/8" (16mm) high stop.



**Narrow Frame/Removable Stop - #2018B Soffit Plate:** For use where a narrow frame or frame with removable stop does not permit use of the standard soffit plate. This soffit plate may be mounted on the frame soffit or the frame rabbet where the stop does not exceed 5/8" (16mm) in height. All of the screw holes are in a straight line, requiring as little as 1-1/4" (32mm) of frame reveal to mount bracket and maintain good closer arm geometry. Where the frame soffit is as wide as 2" (51mm), this soffit plate may be used to clear weather-stripping that is up to 1-3/8" (35mm) wide and 5/8" (16mm) in height.

**Blade/Applied Stop - #2018D Soffit Plate:** For use where a blade or applied stop does not permit installation of the standard soffit plate. Mounts to either the frame soffit or rabbet. Since this soffit plate projects 7/8" (22mm) less than a standard soffit plate, it requires a minimum frame reveal of 1-1/2" (38mm). Permits closer to clear up to a 5/8" (16mm) stop.

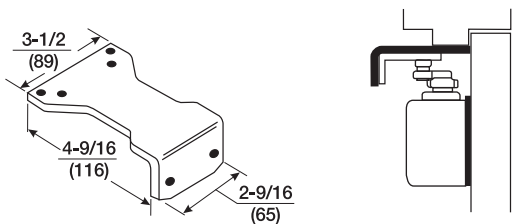


**Flush Transom - #2022 Angle Bracket:** For use where rabbeted or flush transom conditions prevent installation of a soffit plate. Used in combination with the 1618 soffit plate, or may be used in combination with the 2018S soffit plate when it is necessary for the closer arm to clear a separate overhead door holder.

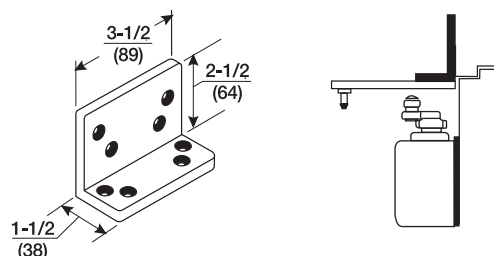
**Extra-Clearance - #2018S Offset Soffit Plate:** For use where the need for additional clearance prevents use of the standard soffit plate. This plate mounts to the frame soffit to provide up to 2" (51mm) of clearance when a separate overhead door holder is used. Standard mounting requires a 2-5/8" (67mm) wide frame soffit. It may also be used where unusually high frame stops or weather-stripping prevent the use of other soffit plates.

Note: All measurements are inches/mm

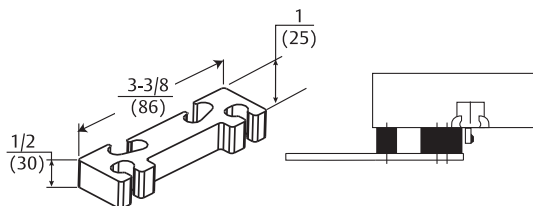
## Brackets for Hold Open Arms



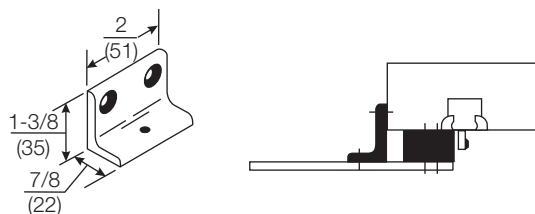
**Parallel Hold-Open - #1628H Adapter Plate:** Supplied standard with all parallel arm hold open closers. It can also be used to convert regular arm or top jamb hold open arms to parallel arm installation. It can be mounted where the frame soffit is as narrow as 1" (25mm).



**Flush Transom - #2022 Angle Bracket:** For use where rabbeted or flush transom conditions prevent installation of a soffit plate. Used in combination with the 1628H adapter plate, this bracket fastens to the overhead transom to provide a mounting surface for the soffit plate assembly.



**Clearance/Support Blade Stop - #6891 Spacer Block:** For use where the door frame has a blade stop and the soffit plate must be mounted on the frame rabbet. This accessory is used in combination with the standard spacer block to provide clearance of the blade stop. Also used with non-hold open arms.

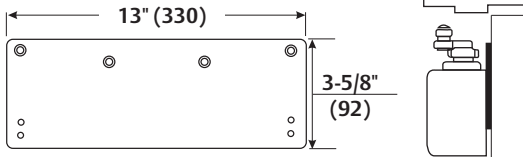


**Narrow Frame - #6890 Support Bracket:** For use where the frame is narrow and the soffit plate cannot be mounted directly to the frame soffit or rabbet. Used in combination with the #6891 Spacer Block on blade stop frames to provide extra support and needed clearance of the blade stop. Used on frames where the frame stop does not exceed 5/8" (16mm) in height.

Note: All measurements are inches/mm

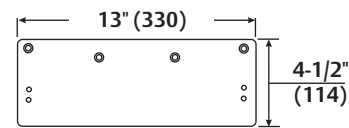
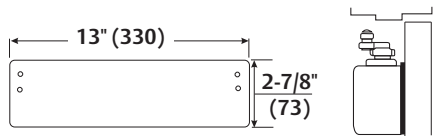
PR, CLP & CPS ARMS

**Closer Mounting Plates  
Slim Line Installations**



**Narrow Top Rail - #8148 Drop Plate:** For use where a narrow top rail prevents the closer from being mounted directly to the door surface. This drop plate can be used to mount a closer on a top rail as narrow as 2-9/16" (65mm) in height.

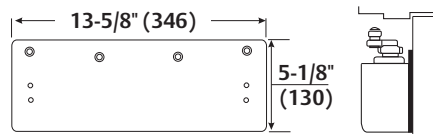
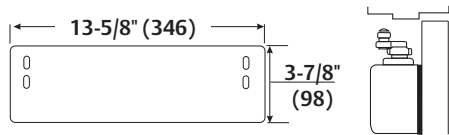
**Full Cover Installations**



**Exposed Back - #8445 Molded Full Cover Decorative Back Plate:** For use on doors with glass lights where a closer with molded full cover is installed and the closer back is exposed. This plate covers the back of the installation to give a pleasing appearance from the reverse side.

**Exposed Back/Narrow Top Rail - #8158 Molded Full Cover Drop Plate:** For use on doors with glass lights where a closer with molded full cover is installed and the back of the closer is exposed. This covers the back of the installation and gives a pleasing appearance from the reverse side.

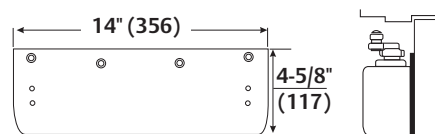
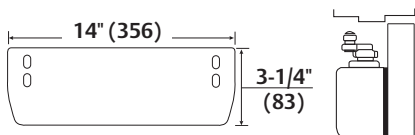
**Metal Cover Installations**



**Exposed Back - #8545 Metal Full Cover Decorative Back Plate:** For use on doors with glass lights where a closer with full metal cover is installed and the back of the closer is exposed. This plate covers the back of the installation and gives a pleasing appearance from the reverse side.

**Exposed Back/Narrow Top Rail - #8548 Metal Full Cover Drop Plate:** For use on doors with glass lights where a closer with metal full cover is installed on a narrow top rail, and the back of the cover is exposed. This drop plate can be used to mount a closer on a top rail as narrow as 2-9/16" (65mm) in height. This plate covers the back of the installation and gives a pleasing appearance from the reverse side.

**Architectural Plastic or Metal Cover Installations**



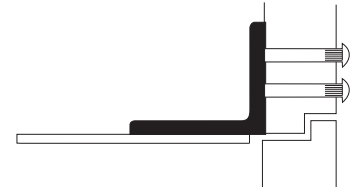
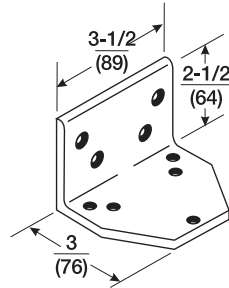
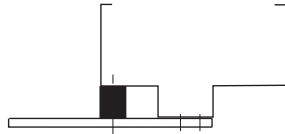
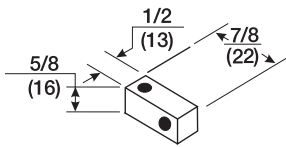
**Exposed Back - #8545A Architectural Plastic or Architectural Metal Cover Decorative Back Plate:** For use on doors with glass lights where a closer with an architectural plastic or metal cover is installed and the closer back is exposed. This plate covers the back of the installation to give a pleasing appearance from the reverse side.

**Exposed Back/Narrow Top Rail - #8548A Architectural Plastic or Architectural Plastic or Architectural Metal Cover Drop Plate:** For use on doors with glass lights where a closer with an architectural plastic or metal cover is installed on a narrow top rail, and the back of the cover is exposed. This drop plate can be used to mount a closer on a top rail as narrow as 2-9/16" (65mm) in height. This plate covers the back of the installation to give a pleasing appearance from the reverse side.

Note: All measurements are inches/mm

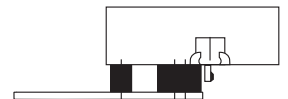
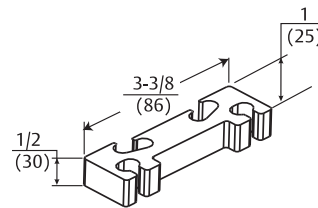
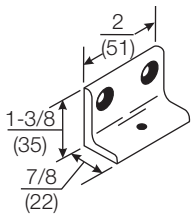


## Brackets for Non-Hold Open Arms & Hold Open Arms



**Standard - #2019S Spacer Block:** For use where a narrow frame soffit does not provide adequate support for the soffit plate. Supplied as standard with all parallel rigid arm closers.

**Flush Rabbeted Transom - #2019L Angle Bracket:** For use where flush transom conditions prevent mounting of the standard soffit plate. This bracket is used in combination with the standard soffit plate.



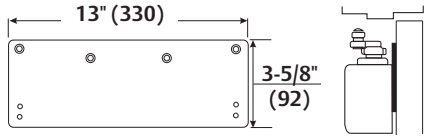
**Narrow Frame - #6890 Support Bracket:** For use where the frame is narrow and the soffit plate cannot be mounted directly to the frame soffit or rabbet. Used in combination with the #6891 Spacer Block on blade stop frames to provide extra support and needed clearance of the blade stop. Used on frames where the frame stop does not exceed 5/8" (16mm) in height.

**Clearance/Support Blade Stop - #6891 Spacer Block:** For use where the door frame has a blade stop and the soffit plate must be mounted on the frame rabbet. This accessory is used in combination with the standard spacer block to provide clearance of the blade stop.

Note: All measurements are inches/mm

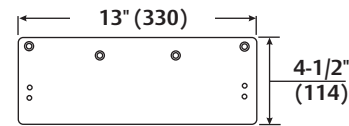
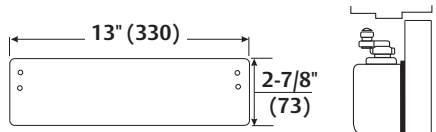
**UNITROL®  
ARM**

**Closer Mounting Plates  
Parallel Arm**



**Narrow Top Rail - #8148 Drop Plate:** For use where a narrow top rail prevents the closer from being mounted directly to the door surface. This drop plate can be used to mount a closer on a top rail as narrow as 2-7/16" (62mm) in height.

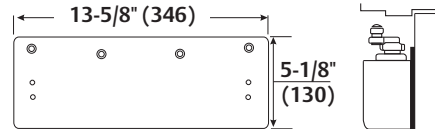
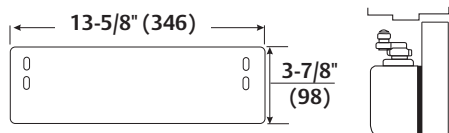
**Full Cover Installations**



**Exposed Back - #8445 Molded Full Cover Decorative Back Plate:** For use on doors with glass lights where a closer with molded full cover is installed and the closer back is exposed. This plate covers the back of the installation to give a pleasing appearance from the reverse side.

**Exposed Back/Narrow Top Rail - #8158 Molded Full Cover Drop Plate:** For use on doors with glass lights where a closer with molded full cover is installed and the back of the closer is exposed. This covers the back of the installation and gives a pleasing appearance from the reverse side.

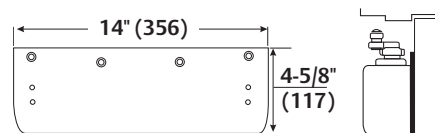
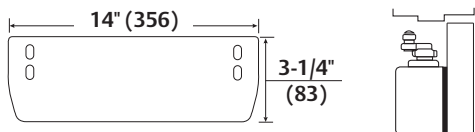
**Metal Cover Installations**



**Exposed Back - #8545 Metal Full Cover Decorative Back Plate:** For use on doors with glass lights where a closer with full metal cover is installed and the back of the closer is exposed. This plate covers the back of the installation and gives a pleasing appearance from the reverse side.

**Exposed Back/Narrow Top Rail - #8548 Metal Full Cover Drop Plate:** For use on doors with glass lights where a closer with metal full cover is installed on a narrow top rail, and the back of the cover is exposed. This drop plate can be used to mount a closer on a top rail as narrow as 2-9/16" (65mm) in height. This plate covers the back of the installation and gives a pleasing appearance from the reverse side.

**Architectural Plastic or Metal Cover Installations**



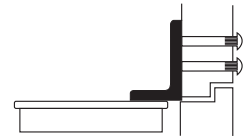
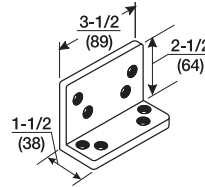
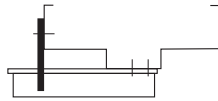
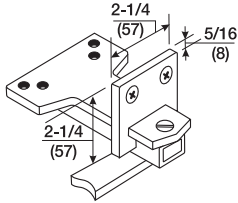
**Exposed Back - #8545A Architectural Plastic or Architectural Metal Cover Decorative Back Plate:** For use on doors with glass lights where a closer with an architectural plastic or metal cover is installed and the closer back is exposed. This plate covers the back of the installation to give a pleasing appearance from the reverse side.

**Exposed Back/Narrow Top Rail - #8548A Architectural Plastic or Architectural Plastic or Architectural Metal Cover Drop Plate:** For use on doors with glass lights where a closer with an architectural plastic or metal cover is installed on a narrow top rail, and the back of the cover is exposed. This drop plate can be used to mount a closer on a top rail as narrow as 2-7/16" (62mm) in height. This plate covers the back of the installation to give a pleasing appearance from the reverse side.

Note: All measurements are inches/mm

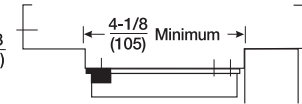
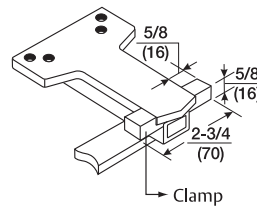
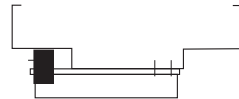
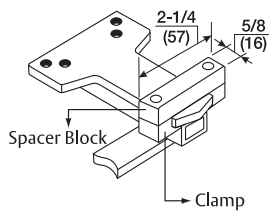
**Closer Mounting Plate**

**Soffit Plate Reinforcing Brackets (for Parallel Arm)**



**Additional Support - #6190 Reinforcing Bracket:** Standard for use with all parallel arm *Unitrol* door controls. Provides additional support to the soffit plate on installations with door frame reveals from 1-7/8" to 4-5/8" (48 to 117mm).

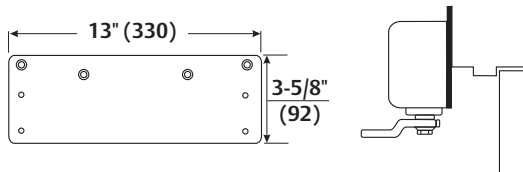
**Flush Rabbeted Transom - #2022 Angle Bracket:** Optional for use with all parallel arm *Unitrol* door controls. For use where rabbeted or flush transom conditions prevent installation of the soffit plate assembly. This bracket fastens to the overhead transom to provide a mounting surface for the soffit plate assembly.



**Wide Frame - #6191 Reinforcing Kit:** Optional for use with all parallel arm *Unitrol* door controls. Used to support the soffit plate on installations with wide frames. Clamps may be used with or without the spacer block, depending on frame conditions.

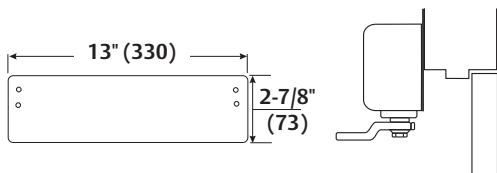
Note: All measurements are inches/mm

### Closer Mounting Plates Top Jamb

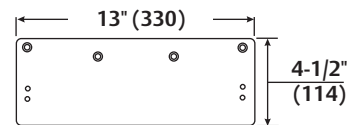


**Narrow Top Rail - #8148 Drop Plate:** For use where a narrow top rail prevents the closer from being mounted directly to the door surface. This drop plate can be used to mount a closer on a top rail as narrow as 2-7/16" (62mm) in height.

### Full Cover Installations

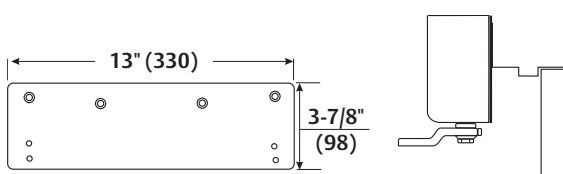


**Exposed Back - #8445 Molded Full Cover Decorative Back Plate:** For use on doors with glass lights where a closer with molded full cover is installed and the closer back is exposed. This plate covers the back of the installation to give a pleasing appearance from the reverse side.



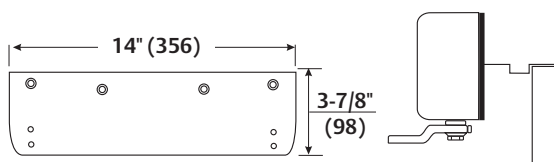
**Exposed Back/Narrow Top Rail - #8158 Molded Full Cover Drop Plate:** For use on doors with glass lights where a closer with molded full cover is installed and the back of the closer is exposed. This covers the back of the installation and gives a pleasing appearance from the reverse side.

### Metal Cover Installations



**Low Ceiling Clearance - Overhead Door Holder - #8547 Metal Full Cover Drop Plate:** For use where a low ceiling clearance prevents normal top jamb mounting. This plate is used when the clearance is between 1-5/8" and 3-3/4" (41mm and 95mm). Or for use where a surface or concealed overhead door holder prevents normal top jamb mounting of a closer with a metal full cover. This plate drops the closer and allows arm mounting screws to clear the bottom of the door holder. This places the centerline of the arm mounting screws at 3-7/8" (98mm) from the top of the door.

### Architectural Plastic or Metal Cover Installations

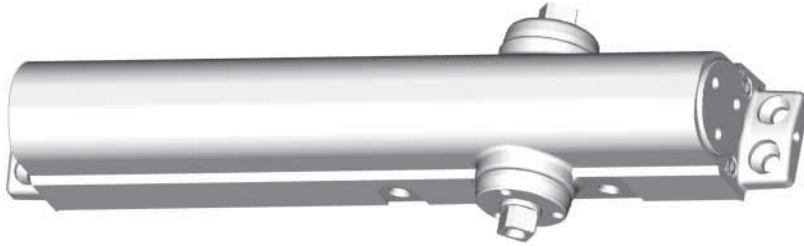


**Low Ceiling Clearance - Overhead Door Holder - #8547A Architectural Plastic or Architectural Metal Cover Drop Plate:** For use where low ceiling clearance prevents normal top jamb mounting. This plate is used when the clearance is between 1-5/8" and 3-3/4" (41 and 95mm). Or for use where a surface or concealed overhead door holder prevents normal top jamb mounting of a closer with an architectural plastic or metal full cover. This plate drops the closer and allows arm mounting screws to clear the bottom of the door holder. This places the centerline of the arm mounting screws at 3-7/8" (98mm) from the top of the door.

Note: All measurements are inches/mm.

# 8000 Series Door Closers

## DOOR CLOSER BODY ASSEMBLIES



Model Number	Description
810XLAP	Sized closer bodies (8100, 8300 or 8500)
8101LAP	Multi-sized closer bodies (8101, 8301 or 8501)

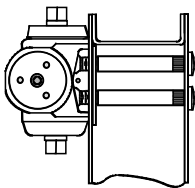
X= Specify Closer Size      LAP = Less All Parts

### Covers (Material)

Closer Series	Plastic	Metal	Arch. Plastic	Arch. Metal
8300 8301	8200P	N/A	N/A	N/A
8500 8501	8400P	8400M	8400A	8400MA

### Steel Door Application

Sex-nut / Sleeve-nut : "SN" (4 per pack) or  
Sex-nut / Sleeve-nut & Screw: "SNB" (4 per pack)

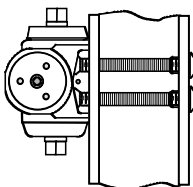


Door	SN's	SNB's
1-3/4"	SN-134	SNB134-38
2"	N/A	SNB200-38
2-1/4"	SN-214	SNB214-38
S.S. SNB's 1-3/4"	SN-134SS	SNB134SS-38

### Aluminum and Wooden Door Application

(Aluminum Door Shown)

Thru Bolt & Grommet Nut : "TBGN" (4 per pack)



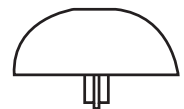
Door	TBGN's
1-3/8"	TBGN138-38
1-3/4"	TBGN134-38
2-1/4"	TBGN214-38

Cover Model	Cover Drawing
<b>Slim Line*</b> <b>8200P</b> 1-3/4" high x 2-1/8" deep x 13" long (44 x 54 x 330)	
<b>Full Plastic</b> <b>8400P</b> 2-7/8" high x 2-1/8" deep x 13" long (73 x 54 x 330)	
<b>Full Metal</b> <b>8400M</b> 3-7/8" high x 2-3/16" deep x 13-5/8" long (98 x 54 x 346)	
<b>Architectural Plastic</b> <b>8400A</b> 3-3/32" high x 2-1/4" deep x 13-7/8" long (79 x 56 x 352)	
<b>Architectural Metal</b> <b>8400MA</b> 3" high x 2-3/16" deep x 13-15/16" long (76 x 56 x 354)	

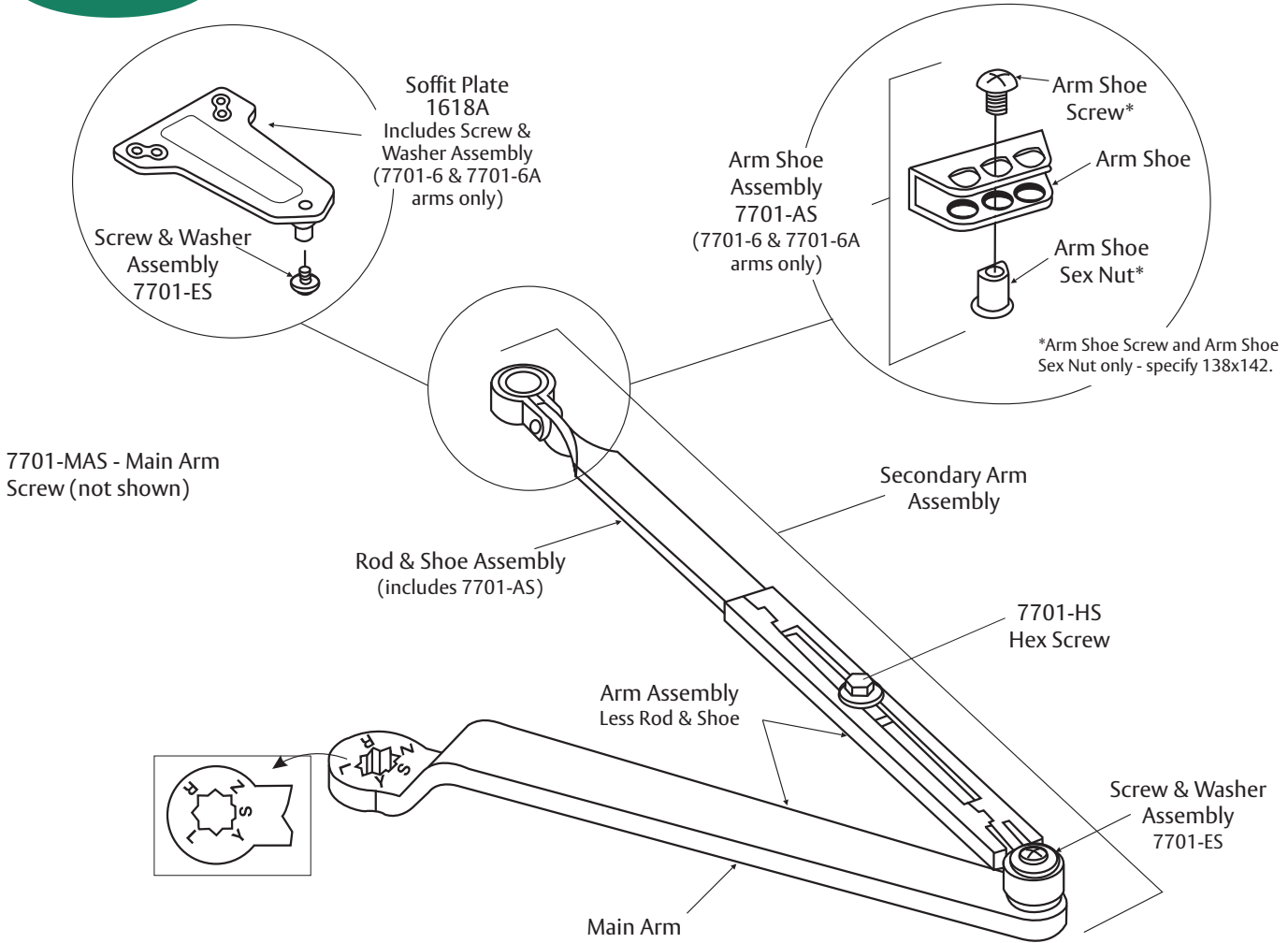
\*Pinion cap not included with Slim Line cover.  
Part #1639

Arm Type	Torx® Screw Packs
Regular, Parallel & Top Jamb	TX38
Parallel Rigid, CloserPlus® & CloserPlus Spring™	PRTX38
Regular Rigid Heavy-Duty	RTX38
Unitrol®	UNITX38

\*Pinion cap not included with Slim Line cover.  
Part #1639



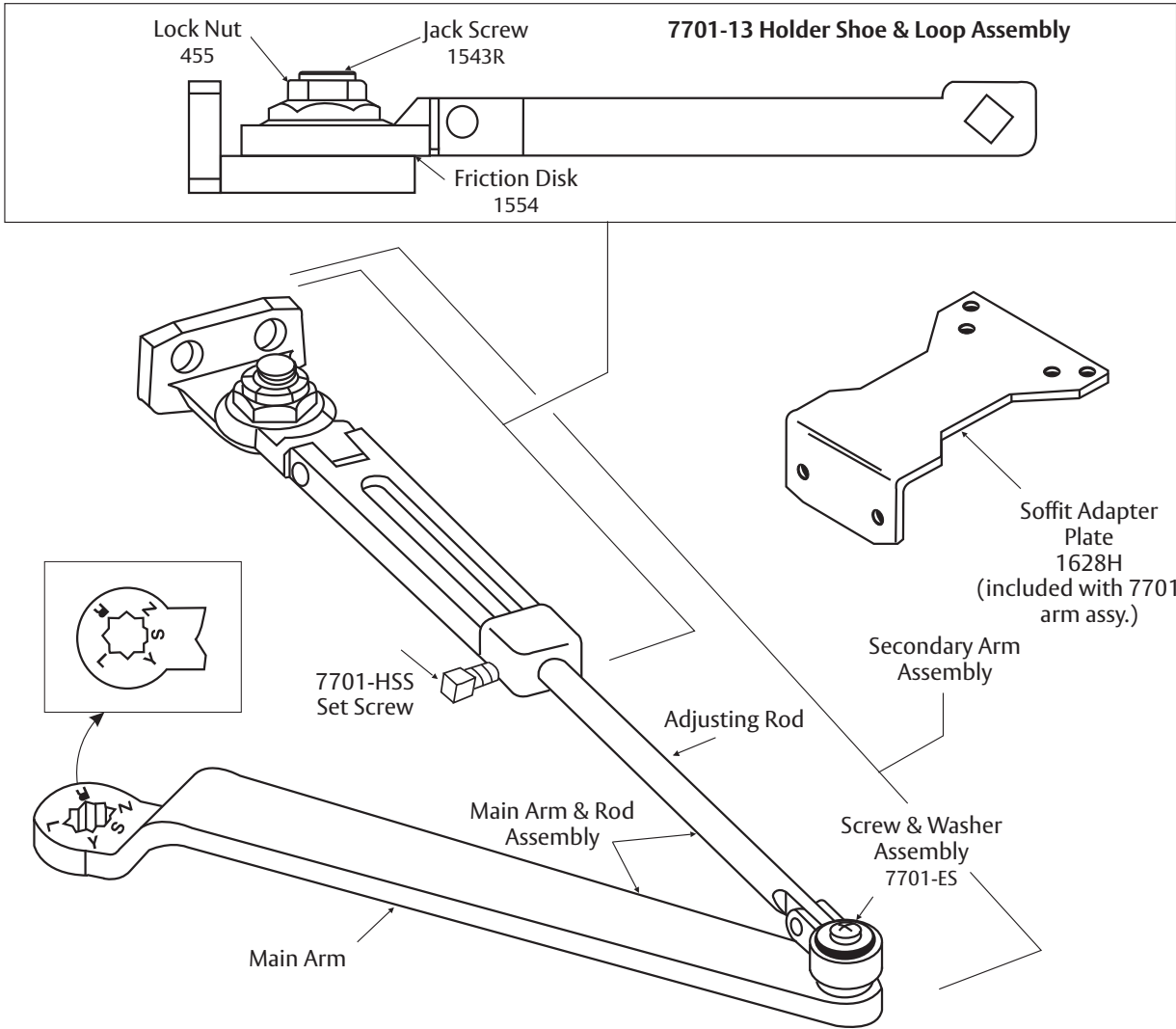
**NON-HOLD OPEN  
ARM ASSEMBLIES**



Closer Series	Complete Arm Assembly	Main <sup>Ⓐ</sup> Arm Assembly (length)(mm) (includes 7701-ES)	Secondary Arm Assembly (includes 7701-ES)	Arm Assembly Less Rod and Shoe	Rod & Shoe Assembly <sup>Ⓑ</sup> (length)(mm)
8000	7701-1	7701-1M (11)(279)	7701-111	7701-1W	7701-11 (8-7/8)(225)
J8000	7701-1A		7701-121		7701-11A (12-9/16)(319)
P8000	7701-6		7701-116		7701-16 (8-7/8)(225)
P8000 <sup>Ⓒ</sup>	7701-6A		7701-116A		7701-16A (12-9/16)(319)
8000	7701-26 (tri pack includes 7701-1 plus 1618A plate)				

- Ⓐ C to C length shown in parentheses.
- Ⓑ C of connecting link to end of rod shown in parentheses.
- Ⓒ For 180° door swing when using a special template for doors hung on 6" to 8" (162mm to 203mm) wide throw hinges.

Note: Mounting hardware included with all parts orders.



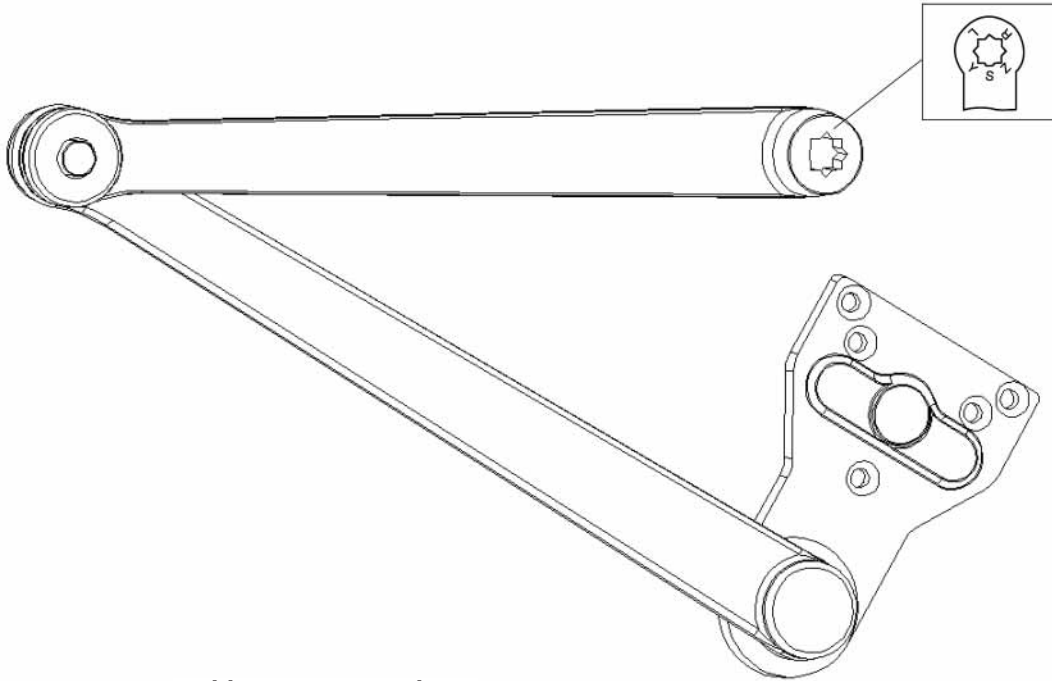
Closer Series	Complete Arm	Main Arm <sup>Ⓐ</sup> (Length)(mm) (includes 7701-ES)	Secondary Arm (includes 7701-ES)	Main Arm & Rod Assembly	Holder Shoe & Loop Assembly	Adjusting Rod <sup>Ⓒ</sup> (Length)(mm)
8000H	7701-3/7701-8 <sup>Ⓒ</sup>	7701-1M (11)(279)	7701-113/7700-118 (Reg.)/(Par.)	7701-3W	7701-13/7701-18 <sup>Ⓓ</sup>	7701-31 (7-3/8)(187)
J8000H	7701-3A		7701-123	7701-3WA	7701-13	7701-31A (10-13/16)(275)

Note: Mounting hardware included with all parts orders.

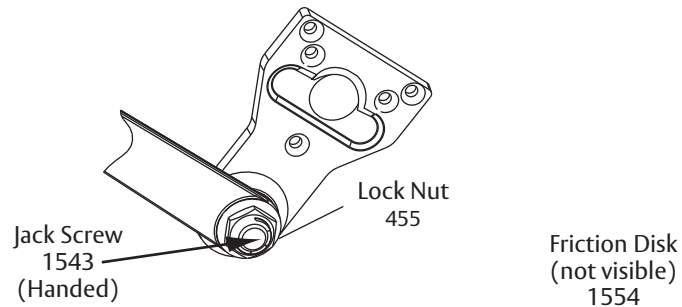
- Ⓐ C to C length shown in parentheses.
- Ⓑ C of connecting link to end of rod shown in parentheses.
- Ⓒ Same as 7701-3 but includes #1628H soffit adapter plate.
- Ⓓ Same as 7701-13 but includes #1628H soffit adapter plate.

PARALLEL RIGID  
ARM ASSEMBLIES

Non-Hold Open Arm Shown



Hold Open Arms Only

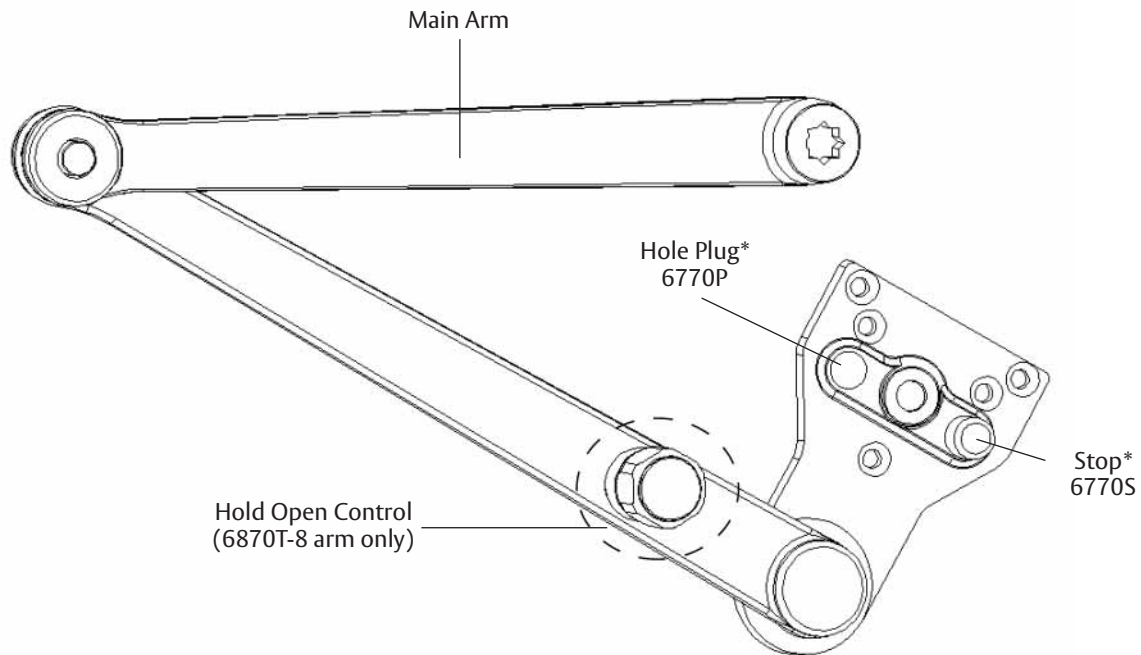


Arm Function	Complete Arm Assembly
Non-Hold Open	PR7701-5
Hold Open	PR7701-8R (Right Hand)
	PR7701-8L (Left Hand)

Note: Mounting hardware included with all parts orders.



## Hold Open Arm Shown (CLP-T)

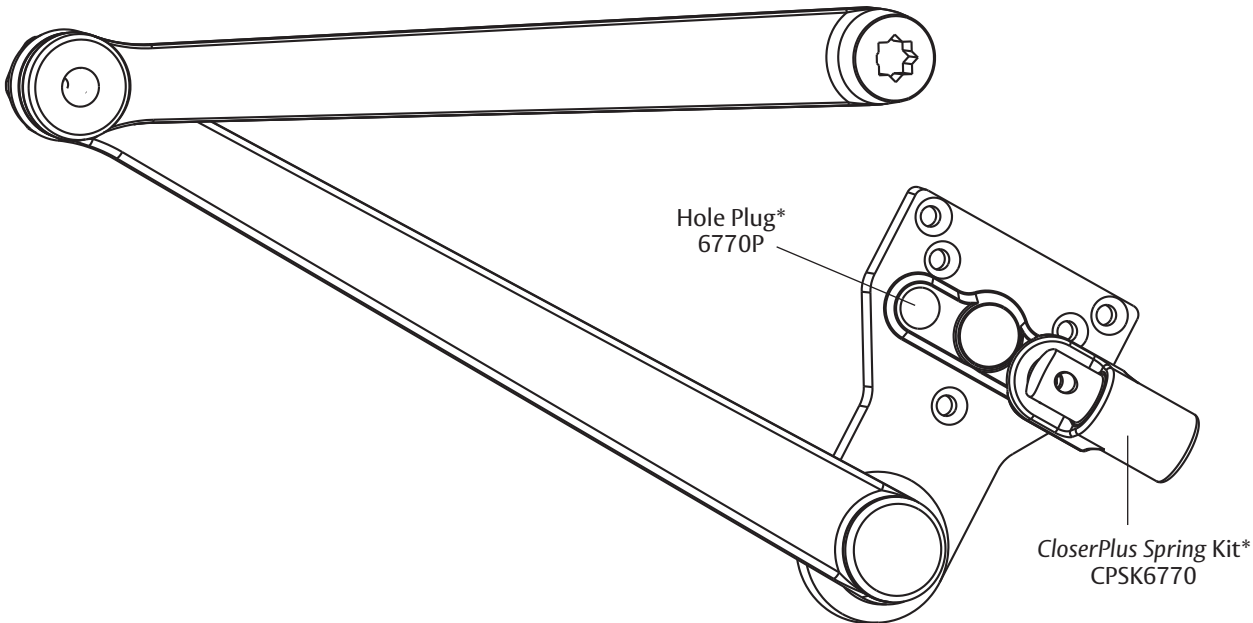


Arm Function	Complete Arm Package
Non-Hold Open	6770-5
Thumbturn Hold Open	6870T-8

\* These parts and screw pack are included with complete arm assemblies.

Note: Mounting hardware included with all parts orders.

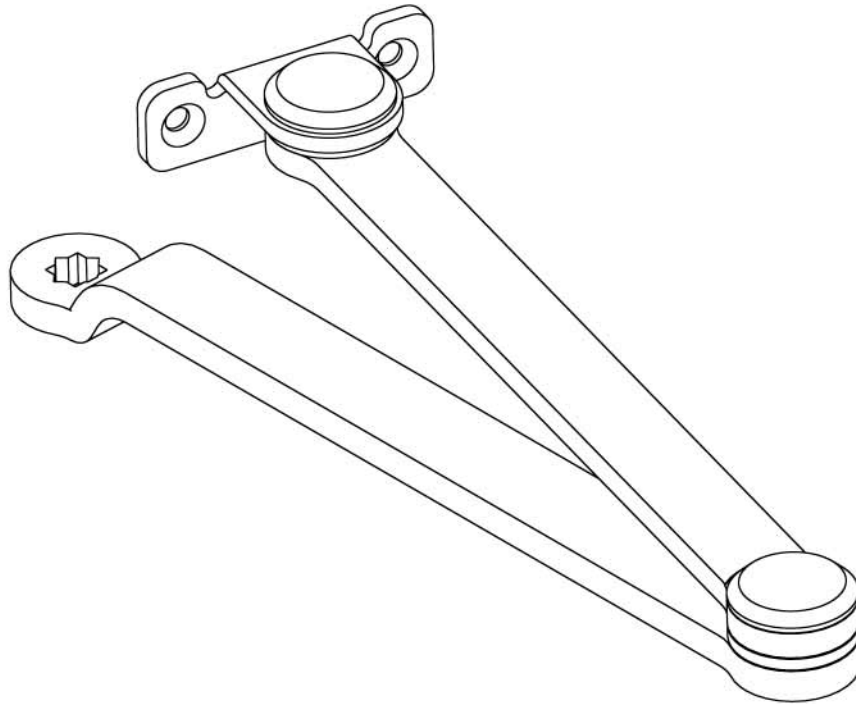
CLOSERPLUS SPRING™  
ARM ASSEMBLIES



Arm Function	Complete Arm Package
Non-Hold Open	CPS6770-5
Thumbturn Hold Open	CPS6870T-8

\* These parts and screw pack are included with complete arm assemblies.

Note: Mounting hardware included with all parts orders.

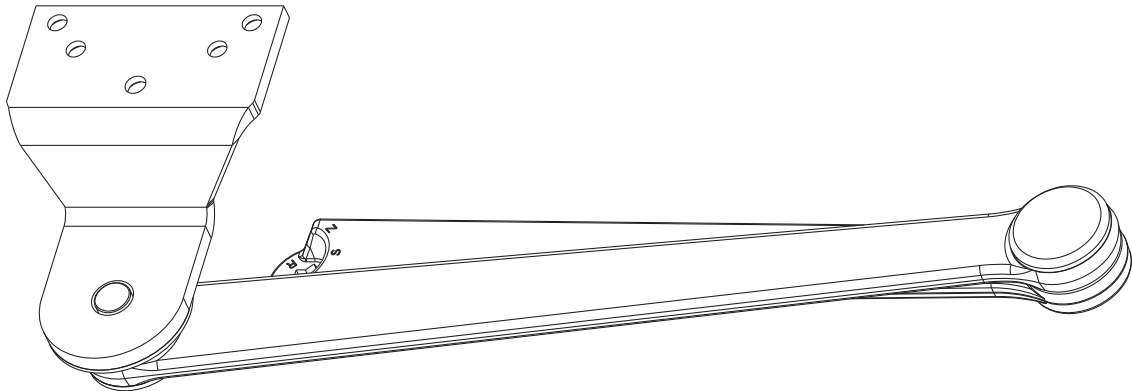


Arm Function	Complete Arm Package
Non-Hold Open	R7701-1

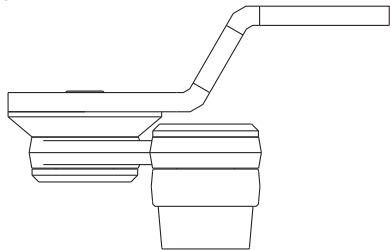
Note: Mounting hardware included with all parts orders.

PARALLEL RIGID  
OFFSET ARM  
ASSEMBLIES

Non-Hold Open



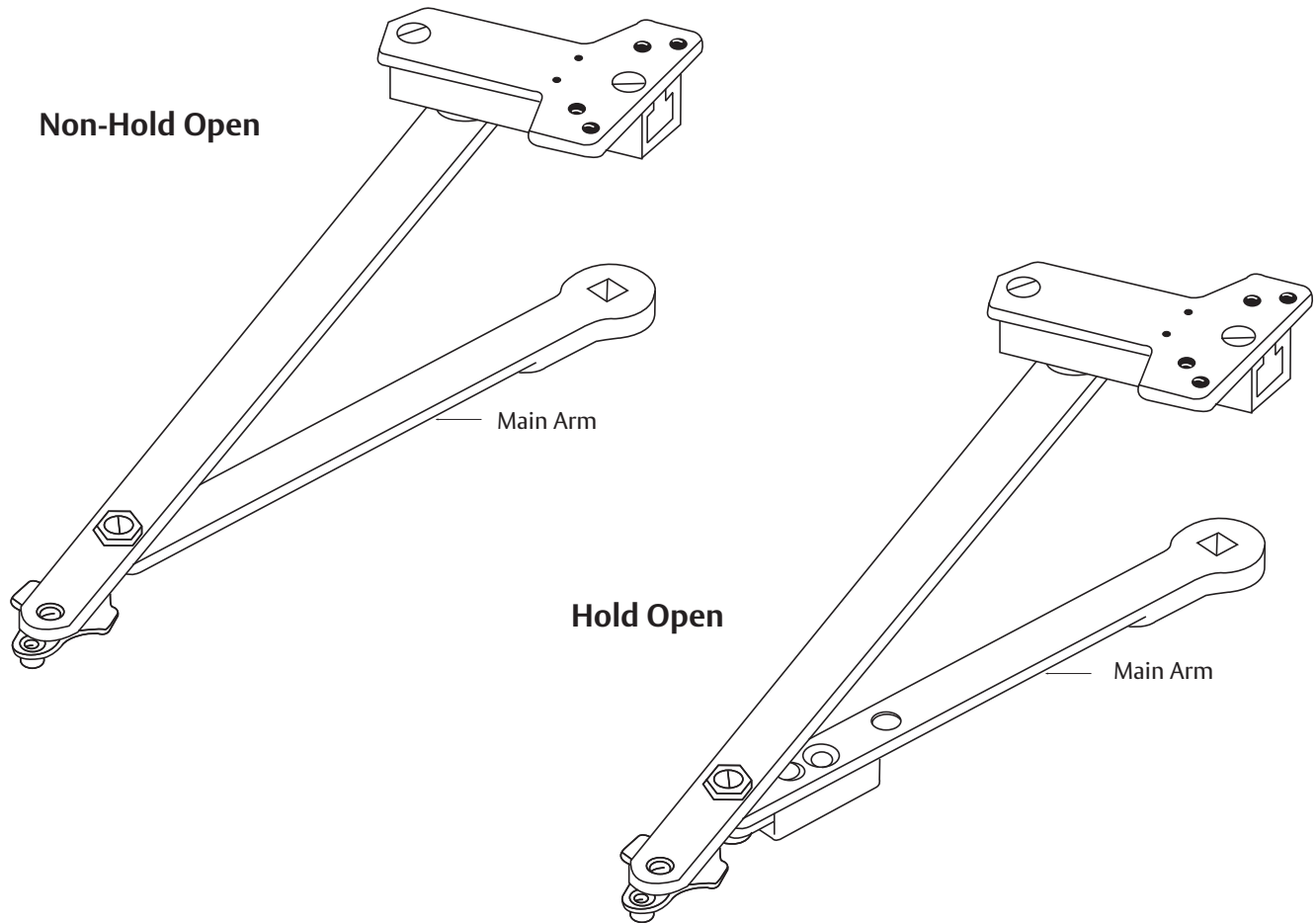
Side View



Arm Function	Complete Arm Assembly
PRO7701-5	Non-Hold Open
PRO7701-8R	Hold Open, Right Hand
PRO7701-8L	Hold Open, Left Hand

Note: Mounting hardware included with all parts orders.

## Parallel Arm



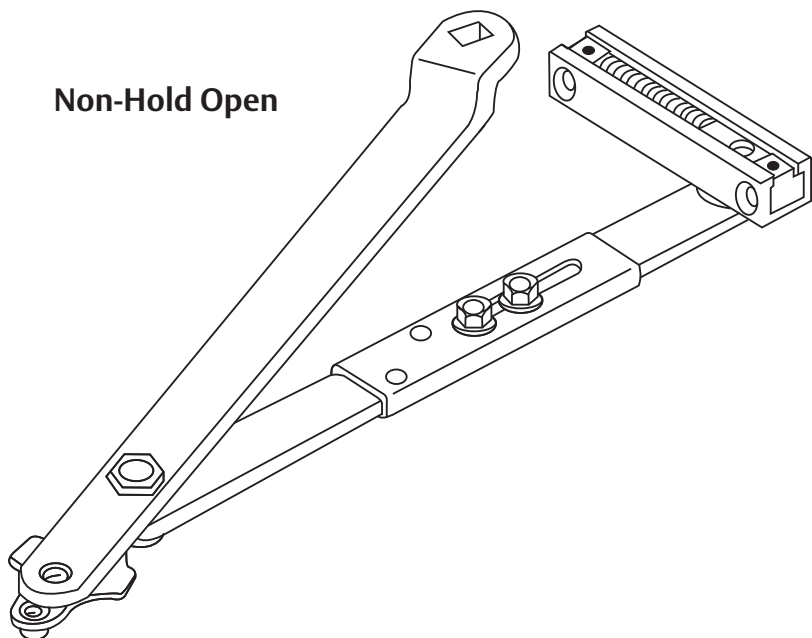
Complete Arm Assembly			
Door Width (cm)	Main Arm Length* (mm)	Non-Hold Open	Hold Open
28" - 32" (71 - 81)	9-1/2" (241)	6100-11	6100-1
33" - 41" (84 - 104)	11" (279)	6100-13	6100-3
42" - 48" (107 - 122)	12-1/2" (318)	6100-14	6100-4

\* Center to center length.

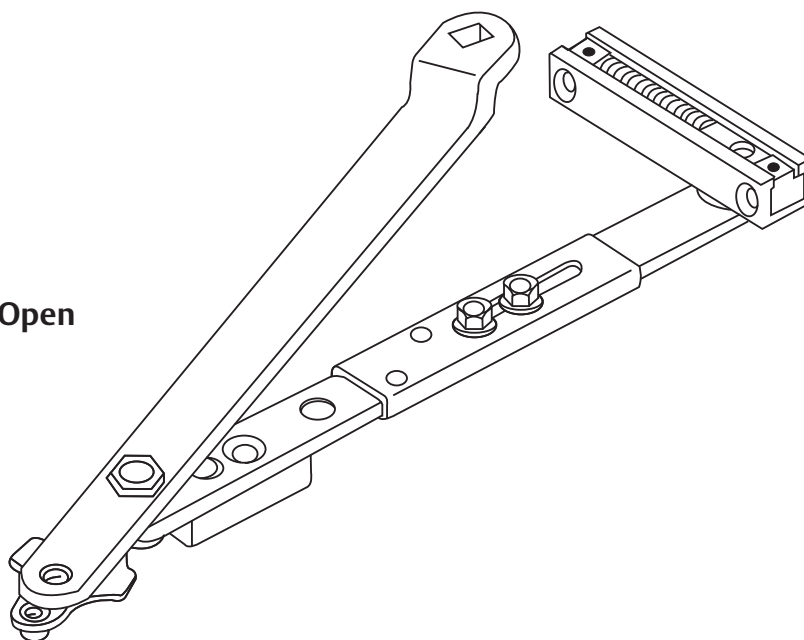
Note: Mounting hardware included with all parts orders.

Top Jamb

Non-Hold Open



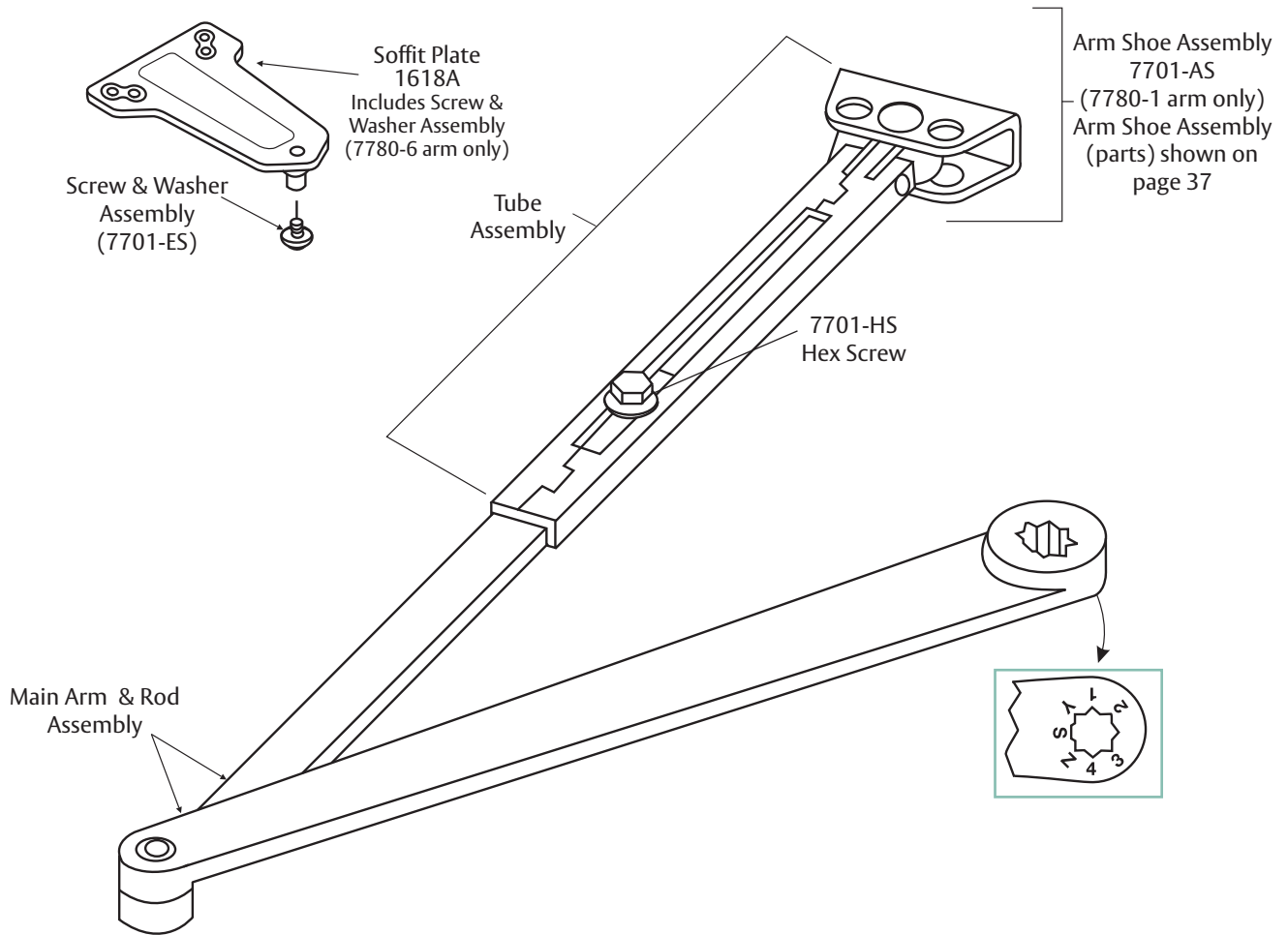
Hold Open



Non-Hold Open	Hold Open	For Frame Reveals (mm)
J6100-4	J6100-7	2-1/8" - 3-1/4" (54 - 83)
J6200-4	J6200-7	1/2" - 2" (13 - 51)
J6400-4	J6400-7	3-3/8" - 4-1/4" (86 - 108)
J6500-41	J6500-71	4-3/8" - 5-3/8" (111 - 137)
J6500-42	J6500-72	5-1/2" - 6-3/8" (140 - 162)
J6500-43	J6500-73	6-1/2" - 7-3/8" (165 - 187)
J6600-4	J6600-7	0 - 3/8" ( 0 - 10)

Note: Mounting hardware included with all parts orders.

# 8000 Series Door Closers

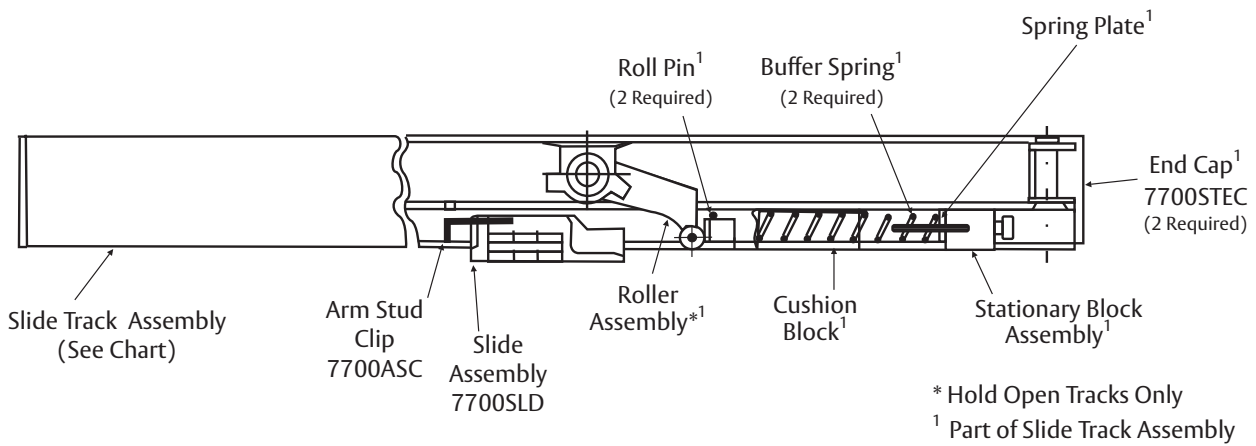


Arm Application	Complete Arm Assembly	Main Arm & Adjusting Rod Assembly	Tube & Shoe/Soffit Soffit Assembly
Regular Arm	7780-1	7780-1MR	7780-1TS (With 7701-AS)
Parallel Arm	7780-6		7780-6TS (With 1618A)
Tri-pack	7780-26		

Note: Mounting hardware included with all parts orders.

**TRACK AND ARM ASSEMBLIES**

Model	Slide Track Assembly	
	Non-Hold Open	Hold Open
Pull Side	7701ST-1T	7701ST-3T
Pull Side (180°)	7701ST-1T180	N/A
Push Side	7701ST-5T	7701ST-8T



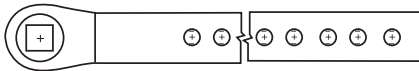
Note: Mounting hardware included with all parts orders.



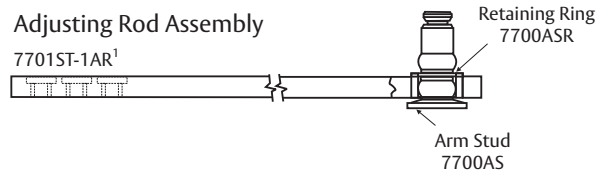
**TRACK AND ARM ASSEMBLIES**

### Standard Arm Assembly 7701ST-1A\*<sup>1</sup>

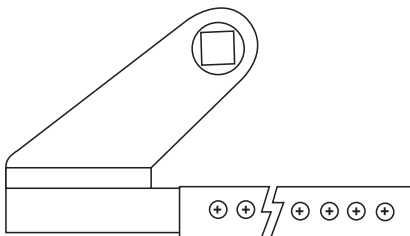
Arm Tube Assembly  
7701ST-1AT<sup>1</sup>



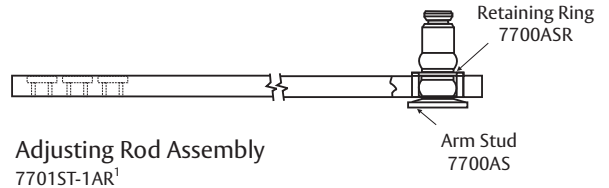
Adjusting Rod Assembly  
7701ST-1AR<sup>1</sup>



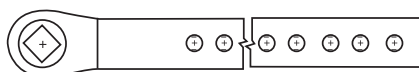
### Double Egress Arm Assembly 7701PT-DE-1R (Right Hand)\*<sup>1</sup> 7701PT-DE-1L (Left Hand)\*<sup>1</sup>



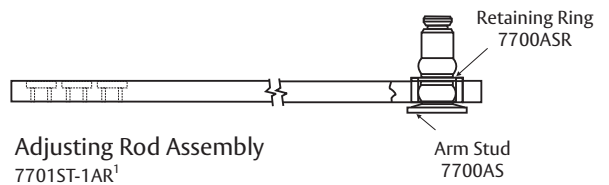
Arm Tube Assembly  
7701ST-1ATR<sup>1</sup> (right hand)  
7701ST-1ATL<sup>1</sup> (left hand)



### STP Arm Assembly 7701STP-1A\*<sup>1</sup>



Arm Tube Assembly  
7701STP-1AT<sup>1</sup>



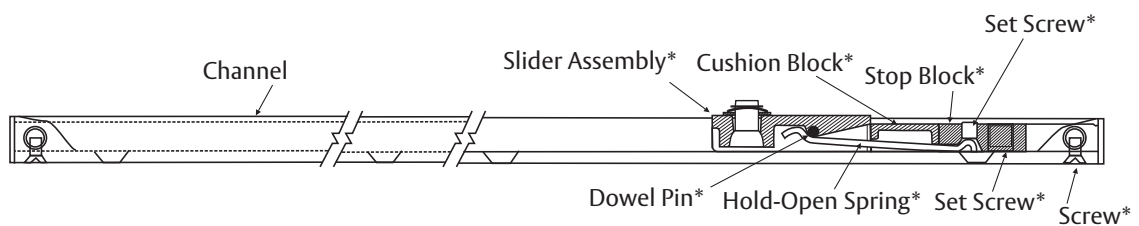
1 Includes arm length adjusting screw  
\* Includes arm tube & adjusting rod assembly

Note: Mounting hardware included with all parts orders.

LOW PROFILE  
TRACK AND ARM  
ASSEMBLIES

Non-Hold Open	
Description	Part Number
Pull-side mounted	7740ST-1T
Push-side mounted	7740ST-5T

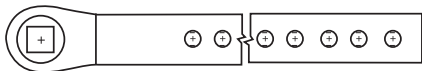
Hold Open	
Description	Part Number
Pull-side mounted	7740ST-3T
Push-side mounted	7740ST-8T



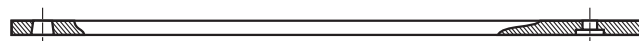
\*Part of an Assembly Pack  
NHO= 7740SLD  
HO= 7740HSLD

**ARM ASSEMBLY**

7740ST-1A<sup>1,2</sup>



Arm Tube Assembly  
7701ST-1AT<sup>2</sup>



Adjusting Rod Assembly  
7740ST-1AR<sup>2</sup>

- 1 Includes arm length adjusting screw.
- 2 Includes arm tube & adjusting rod assembly.

Note: Mounting hardware included with all parts orders.

# 8000 Series Door Closers



NOTES

NOTES

---

# 8000 Series Door Closers



NOTES

8000 - 55



ASSA ABLOY

For a complete listing of products and applications please visit our web site.  
[www.nortondoortcontrols.com](http://www.nortondoortcontrols.com)  
[www.assaabloy.ca](http://www.assaabloy.ca)

Or contact us at:

**Norton Door Controls**  
3000 Highway 74 East  
Monroe, NC 28112  
Tel: 877-974-2255  
Fax: 800-338-0965

**ASSA ABLOY Door Security Solutions Canada**  
160 Four Valley Drive  
Vaughan, Ontario, L4K 4T9 Canada  
Tel: 800-461-3007  
Fax: 905-738-2478

Norton®, Unitrol®, Tri-Style®, NorGlide® and CloserPlus® are registered trademarks of Yale Security Inc., an ASSA ABLOY Group company. CloserPlus Spring™ is a trademark of Yale Security Inc., an ASSA ABLOY Group company. Other products' brand names may be trademarks or registered trademarks of their respective owners and are mentioned for reference purposes only. These materials are protected under U.S. copyright laws. All contents current at time of publication. Copyright © 2002, 2008, Yale Security Inc., an ASSA ABLOY Group company. All rights reserved. Reproduction in whole or in part without the express written permission of Yale Security, Inc. is prohibited.

ASSA ABLOY is the global leader in door opening solutions, dedicated to satisfying end-user needs for security, safety and convenience.