

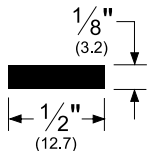
# FLOOR MOLDING, TRIM & HANDYSHAPES™

- Read each HandyShapes™ product number according to the following example: 2901C72 ("2901" refers to the part profile number; "C" refers to the part finish; "72" refers to the part length in inches).

## HandyShapes™ - Flat Bar

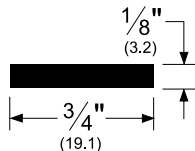
### 2945\_

AVAILABLE FINISHES: C  
AVAILABLE LENGTHS: 72", 96"



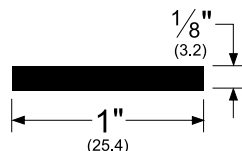
### 2949\_

AVAILABLE FINISHES: C  
AVAILABLE LENGTHS: 72", 96"



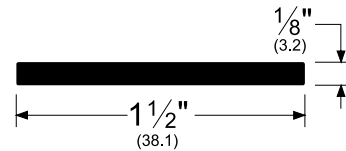
### 2953\_

AVAILABLE FINISHES: C  
AVAILABLE LENGTHS: 72", 96"



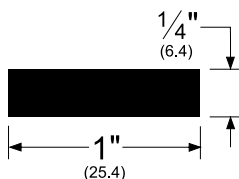
### 2959\_

AVAILABLE FINISHES: C  
AVAILABLE LENGTHS: 72", 96"



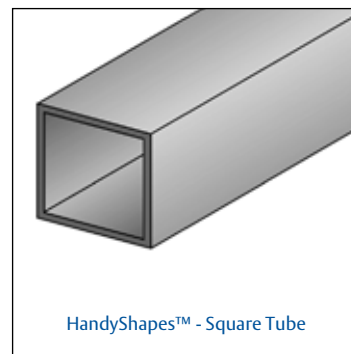
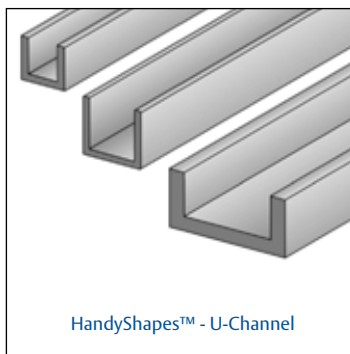
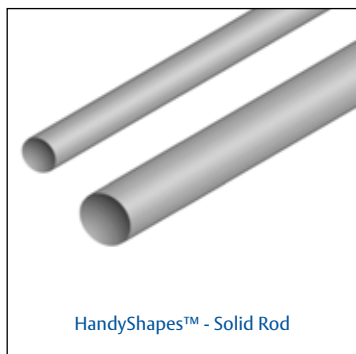
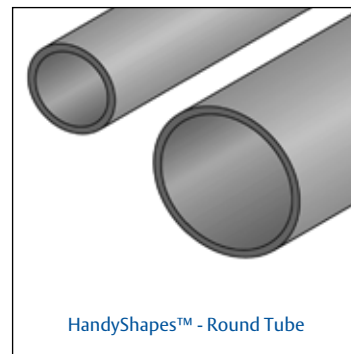
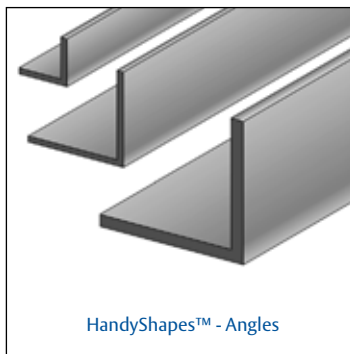
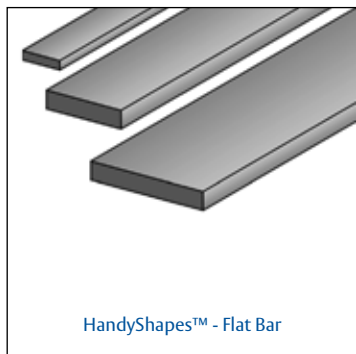
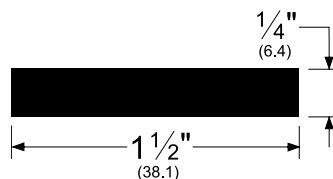
### 2957\_

AVAILABLE FINISHES: C  
AVAILABLE LENGTHS: 72", 96"



### 2961\_

AVAILABLE FINISHES: C  
AVAILABLE LENGTHS: 72", 96"



▲ AVAILABLE FINISHES FOR PRODUCTS SHOWN ON THIS PAGE (see General Information section for finish chart)

C (Clear Anodized)