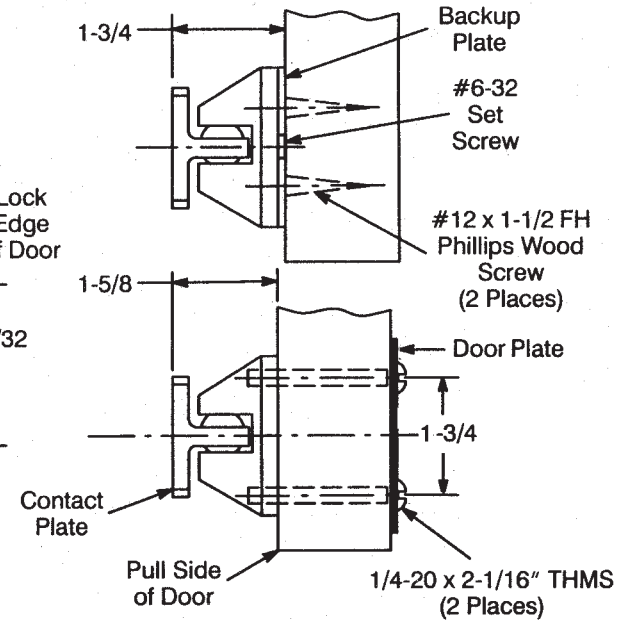
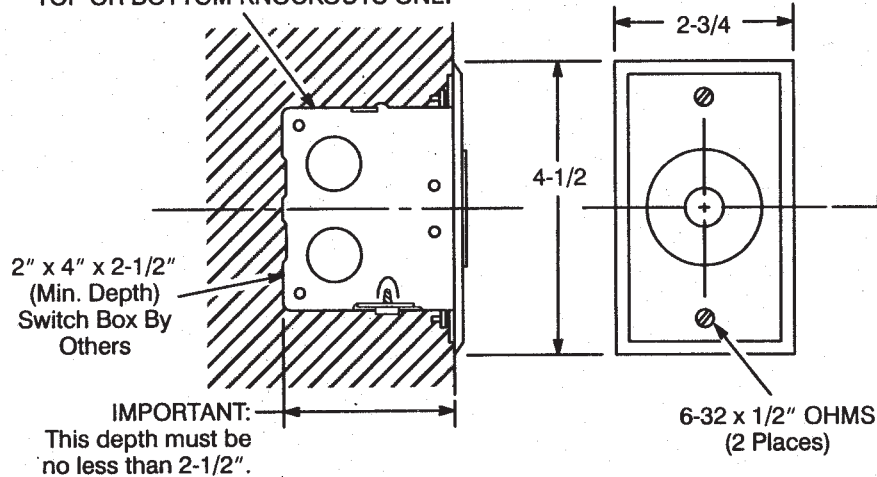


Conduit Entry Must Be Made Using TOP OR BOTTOM KNOCKOUTS ONLY



Notes:

1. Do not scale drawing.
2. Total projection 1-7/8" (Includes Electromagnet, Armature Assembly and Wall Cover Plate.)
3. Non-tri voltage magnets have two non-polarized wires to be connected. Tri voltage magnets are connected using a terminal strip on back of magnet. One wire in common and one wire in the appropriate voltage terminal (non-polarized).
4. See step 1 on Template DR100210B for switch box location. Anchor switch box to withstand a minimum 50 lb. pull. Switch box shown installed in a vertical position.
5. Door closing mechanism should have a 3 lb. closing force at the degree of door opening where door armature and electromagnet engage.
6. Door hardware must not project more than 1-5/8" on pull side of door.
7. Mounting of outlet box should be reinforced to withstand shock of door opening. Failure to do so will cause box anchors to work loose.
8. All dimensions given in inches.

FM990 Door Release

RIXSON®

ASSA ABLOY

www.rixson.com

TEMPLATE NUMBER

DATE

DR100210A

02-09

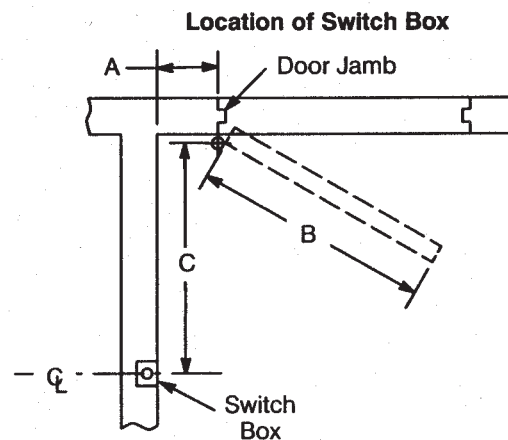
INSTRUCTIONS:

- To locate switch box use table below.
- Determine door width (Dim. "B"). Measure pivot centerline to wall (Dim. "A"). Find dimension "C" in table.
Example: Pivot centerline to wall ("A") = 10"
Door Width ("B") = 36"
Switch Box Centerline ("C") = 33"
- If "A" or "B" falls between the numbers listed in table allow for difference.
Example: Pivot centerline to wall ("A") = 7"
Door Width ("B") = 36"
Switch Box Centerline ("C") = 33-5/8"
- If dimensions "A" and "B" intersect in shaded area of table **do not install switch box**. The degree of door

opening will not permit proper alignment between armature and wall magnet.

- Height to be determined by others. Suggested height is 2'0" to 4'0" from floor and/or not over 6'0".
- Check degree of door opening in table and coordinate with door closers and other door hardware.
- Total projection of door hardware must not project more than 1-5/8" on pull side of door.

"A" – Pivot Centerline to Wall
"B" – Door Width
"C" – Pivot Centerline to Switch Box Centerline



Dim. "A"	Door Width "B"																					
	28		30		32		34		36		38		40		42		44		46		48	
	"C"	Deg.	"C"	Deg.	"C"	Deg.	"C"	Deg.	"C"	Deg.	"C"	Deg.	"C"	Deg.	"C"	Deg.	"C"	Deg.	"C"	Deg.	"C"	Deg.
2	26	92°	28	92°	29-7/8	92°	32	93°	34-1/8	93°	36	92°	37-7/8	92°	40	93°	42	93°	43-7/8	92°	45-5/8	92°
4	26	97°	28	96°	29-7/8	96°	32	95°	34-1/8	95°	36	95°	37-7/8	95°	40	95°	42	95°	43-7/8	94°	45-5/8	94°
6	25-5/8	102°	27-5/8	101°	29-5/8	100°	31-3/4	99°	33-3/4	98°	35-3/4	97°	37-3/4	97°	39-7/8	97°	41-7/8	97°	43-3/4	97°	45-1/2	97°
8	25-1/8	106°	27-1/4	105°	29-1/4	104°	31-3/8	103°	33-1/2	102°	35-1/2	101°	37-3/8	101°	39-1/2	101°	41-1/2	101°	43-3/8	100°	45-1/4	99°
10							31	105°	33	106°	35	105°	37	104°	39-1/8	104°	41-1/8	104°	43-1/8	103°	45	102°
12																			42-5/8	105°	44-1/2	104°

All dimensions given in inches.

Suggested Switch Boxes			Utility Conduit Boxes		
Mfr.	No.	Size	Mfr.	No.	Size
Steel City	CD	3" x 2" x 2-1/2" Deep	Universal	58371-1/2 58371-3/4	4" x 2-1/8" x 2-1/2" Deep
Appleton	222				
Bowers	52				
Raco	500				

A 4" square outlet box with a 3/4" or 1" raised cover for single devices may also be used.

**FM990 Door Release
Location Sheet**

RIXSON
ASSA ABLOY

www.rixson.com

TEMPLATE NUMBER

DATE

DR100210B

02-09