



ROFU[®] ELECTRIC STRIKE MODEL 1401/3401

1401 AND 3401 - SERIES, FACEPLATE SIZE 1¼" x 5⅞"

MODEL 1401 — Fail - Secure (Non Fail - Safe)

MODEL 3401 — Fail - Safe

Electric strikes for use with mortise and cylindrical locksets.
For Commercial and Residential, New and Retrofit Uses

Standard Features



1401/3401
Non-Handed

- Steel Faceplate
- Frame Type - Wood
- Corrosion - Resistant case and moving parts.
- Tamper Strength Test - 1400 lbs (635kg)
- Cycle Test 500,000 cycles
- Keeper Depth - **5/8"** Maximum Latch Projection possible with 1/8" Door/Frame Clearance - **3/4"**
- Strike Depth 1.46" Overall
- Reversible - Non Handed
- Limited Warranty - **36 Months**

Available in the following Voltages and Finishes:

Specify Finish xUS26D or xUS4

Voltage, Fail Secure x01=8-16VAC/3-6VDC, x05=12VAC/12VDC, x08=24VAC/24VDC

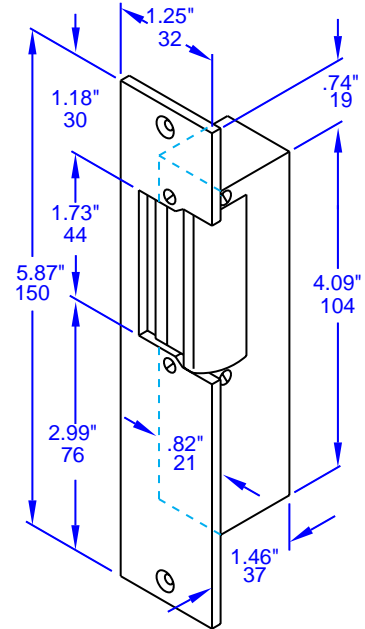
Voltage, Fail Safe x06=12VDC, x09=24VDC

Optional Features:

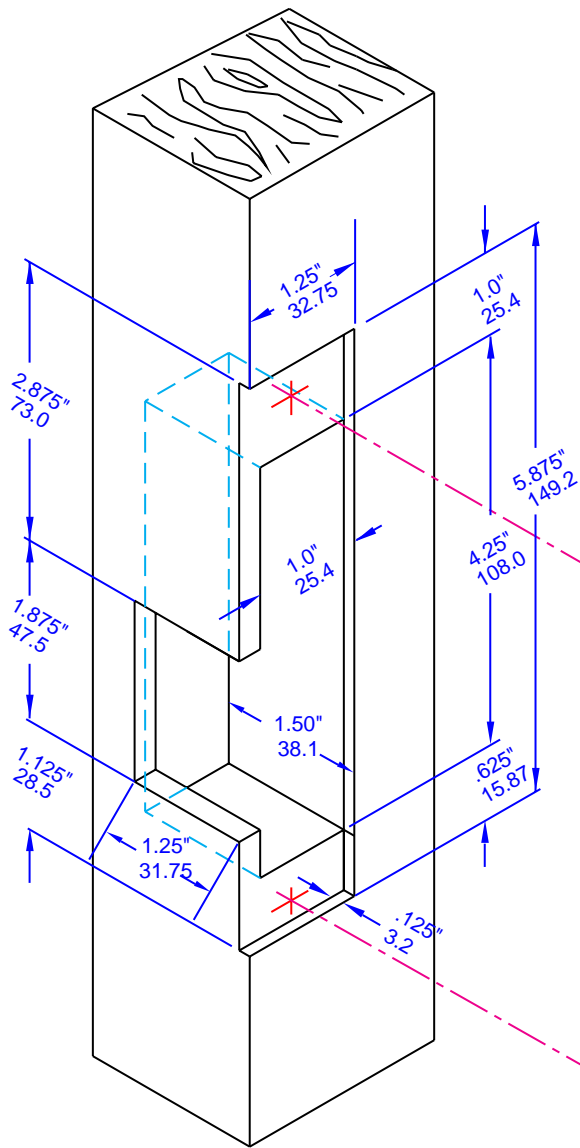
- Adjustable Keeper (FAFIX), available for 3401 series. Specify FAFIX



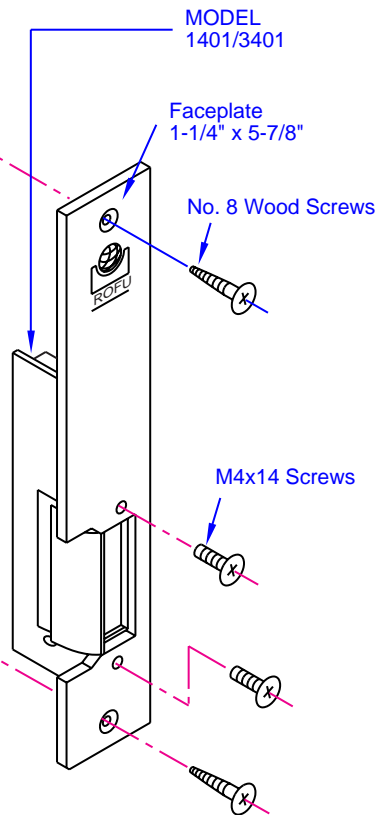
LINE ART FOR 1401/3401



WOOD JAMB PREPARATION



INSTALLATION



NOT TO SCALE - TECHNICAL DATA SUBJECT TO CHANGE WITHOUT NOTICE